



# COOPER COLLECTION - HUNTSVILLE Lounge Seating

## LAYOUTS

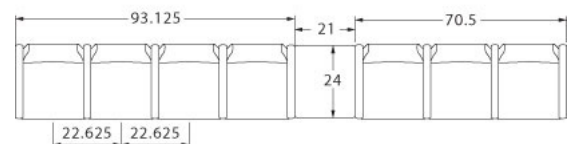
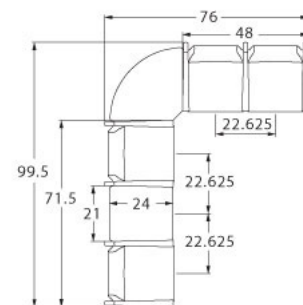
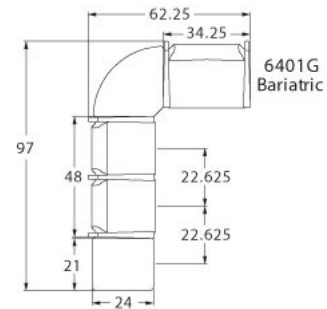


### Description

- Spec's Huntsville offers the softer look and feel of wood, without sacrificing high durability.
- Your layout possibilities are unlimited with spacer, radius and corner tables – for both standard and bariatric seating in virtually any combination.
- Bariatric seating is a 30" wide seat and is load tested to 750 lbs. Cannot be connected to other bariatric seats.
- 21" seat width is standard.
- Standard in European Beech in any of 9 standard stains or stain-to-match at no upcharge.
- Choice of wood or polyurethane arms which are replaceable in the field.
- All models offer a choice of no center arms, half arms or full arms to the floor.
- Wall-saving frame is standard to protect both wall and fabric.
- Glides and separate seat and back are standard.
- Foam formulated to meet California Bulletin 133 standards is available.
- Please send a drawing of the configuration you require with your order.
- Ships assembled as one, two and three seater units.
- For fabrics you wish railroaded or repeats larger than 5" x 5", please contact the factory with repeat information and yardage requirement will be provided.



### LAYOUTS AND DIMENSIONS





Pricing August 2017  
Discount 57.7% from List prices



## COOPER COLLECTION - HUNTSVILLE Lounge Seating



PLACING AN ORDER IS EASY

### PRODUCT CODE

**6401M**

**Collection**  
6 : Cooper

**Series**  
4 : Huntsville

**Center Arm**  
0 : Outside Arms  
1 : Half Arms  
2 : Full Arms

**Number of Seats**  
1 : Single Seater  
2 : Two Seater  
3 : Three Seater

**Chair Type**  
M : Mid Back  
H : Highback  
L : Loveseat  
G : Bariatric



### OPTIONS

#### ARM TYPE



Polyurethane and Wood  
*\*This image does not represent actual product arm.*

#### SIDE PANEL



Half Panel Arms



Full Panel Arms

### FINISHES

#### FRAME



Select from one of our 9 standard wood stains or stain-to-match at no upcharge

#### FABRIC



Select fabrics from one of our textile partners

#### ARMS



Black

Wood\*

\*Wood arms are available in 9 standard stains or stain-to-match at no upcharge.



# COOPER COLLECTION - HUNTSVILLE Lounge Seating

Designed for today's healthcare facilities  
Single Seater with arms

## Standard Features

- Separate seat and back
- Wood arms
- Wood components in Beech, in any of 9 standard stains or stain-to-match at no upcharge
- Wall-saving frame
- Velcro removable back covers
- Replaceable seats
- Threaded replaceable glides
- Use in connected layouts at no upcharge
- Ships assembled as 1, 2 or 3 seaters
- Ships 1/carton 15 cu ft

## Options

- Rounded polyurethane arms, field-replaceable
- Add 2.5" to back for overall height of 36.25", add \$45 List/single seat
- Connected and freestanding tables
- 3" clear Cooper Leg Guard, add \$11 List/leg
- Antibacterial and antimicrobial fabrics available
- Different fabric on seat and back at no upcharge
- CAL 133

Contact Spec™ Customer Service to railroad fabrics (specify repeat info and yardage requirement will be provided) and for repeats greater than 5" x 5"



## Single Seater with arms

COM 1.75 yds  
0.75 yd COM per single seat  
1.0 yd COM per single back

MODEL	COM	GR 1	GR 2	GR 3	GR 4	GR 5	GR 6
<b>6401M</b>	<b>1033</b>	<b>1119</b>	<b>1145</b>	<b>1202</b>	<b>1287</b>	<b>1350</b>	<b>1436</b>

For polyurethane arms add suffix P and \$124

Dimensions (inches)

seat H	18.0	seat W	21.0	arm H	25.0
total H	33.75	total W	25.25	depth	27.5

Exceeds BIFMA Seating Durability Test to 500 lbs per chair  
CAL 133, add \$112 List per seat



**6401M**  
27 lbs



# COOPER COLLECTION - HUNTSVILLE Lounge Seating

Designed for today's healthcare facilities  
Two and Three Seaters with outside arms

## Standard Features

- Separate seat and back
- Wood arms
- Wood components in Beech, in any of 9 standard stains or stain-to-match at no upcharge
- Wall-saving frame
- Velcro removable back covers
- Replaceable seats
- Threaded replaceable glides
- Use in connected layouts at no upcharge
- Ships assembled as 1, 2 or 3 seaters
- Ships 1/carton 26 cu ft (2 seater),  
1/carton 39 cu ft (3 seater)

## Options

- Rounded polyurethane arms, field-replaceable
- Add 2.5" to back for overall height of 36.25", add \$45 List/single seat
- Connected and freestanding tables
- 3" clear Cooper Leg Guard, add \$11 List/leg
- Antibacterial and antimicrobial fabrics available
- Different fabric on seat and back at no upcharge
- CAL 133

Contact Spec Customer Service to railroad fabrics (specify repeat info and yardage requirement will be provided) and for repeats greater than 5" x 5"



## Two Seater with outside arms

COM 3.5 yds  
0.75 yd COM per single seat  
1.0 yd COM per single back

MODEL	COM	GR 1	GR 2	GR 3	GR 4	GR 5	GR 6
<b>6402M</b>	<b>1483</b>	<b>1651</b>	<b>1707</b>	<b>1820</b>	<b>1988</b>	<b>2119</b>	<b>2286</b>

For polyurethane arms add suffix P and \$124

Dimensions (inches)

seat H	18.0	seat W	21.0	arm H	25.0
total H	33.75	total W	46.5	depth	27.5

Exceeds BIFMA Seating Durability Test to 750 lbs per two seater  
CAL 133, add \$224 List per two seater



**6402M**  
51 lbs

## Three Seater with outside arms

COM 5.25 yds  
0.75 yd COM per single seat  
1.0 yd COM per single back

MODEL	COM	GR 1	GR 2	GR 3	GR 4	GR 5	GR 6
<b>6403M</b>	<b>1932</b>	<b>2186</b>	<b>2271</b>	<b>2440</b>	<b>2693</b>	<b>2885</b>	<b>3138</b>

For polyurethane arms add suffix P and \$124

Dimensions (inches)

seat H	18.0	seat W	21.0	arm H	25.0
total H	33.75	total W	67.5	depth	27.5

Exceeds BIFMA Seating Durability Test to 1000 lbs three seater  
CAL 133, add \$336 List per three seater



**6403M**  
75 lbs



# COOPER COLLECTION - HUNTSVILLE Lounge Seating

Designed for today's healthcare facilities  
Two and Three Seaters with half arms

## Standard Features

- Separate seat and back
- Wood arms
- Wood components in Beech, in any of 9 standard stains or stain-to-match at no upcharge
- Wall-saving frame
- Velcro removable back covers
- Replaceable seats
- Threaded replaceable glides
- Use in connected layouts at no upcharge
- Ships assembled as 1, 2 or 3 seaters
- Ships 1/carton 26 cu ft (2 seater),  
1/carton 39 cu ft (3 seater)

## Options

- Rounded polyurethane arms, field-replaceable
- Add 2.5" to back for overall height of 36.25", add \$45 List/single seat
- Connected and freestanding tables
- 3" clear Cooper Leg Guard, add \$11 List/leg
- Antibacterial and antimicrobial fabrics available
- Different fabric on seat and back at no upcharge
- CAL 133

Contact Spec Customer Service to railroad fabrics (specify repeat info and yardage requirement will be provided) and for repeats greater than 5" x 5"



## Two Seater with half arms

COM 3.5 yds  
0.75 yd COM per single seat  
1.0 yd COM per single back

MODEL	COM	GR 1	GR 2	GR 3	GR 4	GR 5	GR 6
<b>6412M</b>	<b>1913</b>	<b>2081</b>	<b>2137</b>	<b>2249</b>	<b>2419</b>	<b>2548</b>	<b>2715</b>

For polyurethane arms add suffix P and \$186

Dimensions (inches)

seat H	18.0	seat W	21.0	arm H	25.0
total H	33.75	total W	48.0	depth	27.5

Exceeds BIFMA Seating Durability Test to 750 lbs per two seater  
CAL 133, add \$224 List per two seater



**6412M**  
51 lbs

## Three Seater with half arms

COM 5.25 yds  
0.75 yd COM per single seat  
1.0 yd COM per single back

MODEL	COM	GR 1	GR 2	GR 3	GR 4	GR 5	GR 6
<b>6413M</b>	<b>2792</b>	<b>3044</b>	<b>3128</b>	<b>3298</b>	<b>3550</b>	<b>3744</b>	<b>3996</b>

For polyurethane arms add suffix P and \$248

Dimensions (inches)

seat H	18.0	seat W	21.0	arm H	25.0
total H	33.75	total W	70.5	depth	27.5

Exceeds BIFMA Seating Durability Test to 1000 lbs per three seater  
CAL 133, add \$336 List per three seater



**6413M**  
75 lbs



# COOPER COLLECTION - HUNTSVILLE Lounge Seating

Designed for today's healthcare facilities  
Two and Three Seaters with full arms

## Standard Features

- Separate seat and back
- Wood arms
- Wood components in Beech, in any of 9 standard stains or stain-to-match at no upcharge
- Wall-saving frame
- Velcro removable back covers
- Replaceable seats
- Threaded replaceable glides
- Use in connected layouts at no upcharge
- Ships assembled as 1, 2 or 3 seaters
- Ships 1/carton 26 cu ft (2 seater),  
1/carton 39 cu ft (3 seater)

## Options

- Rounded polyurethane arms, field-replaceable
- Add 2.5" to back for overall height of 36.25", add \$45 List/single seat
- Connected and freestanding tables
- 3" clear Cooper Leg Guard, add \$11 List/leg
- Antibacterial and antimicrobial fabrics available
- Different fabric on seat and back at no upcharge
- CAL 133

Contact Spec Customer Service to railroad fabrics (specify repeat info and yardage requirement will be provided) and for repeats greater than 5" x 5"



## Two Seater with full arms

COM 3.5 yds  
0.75 yd COM per single seat  
1.0 yd COM per single back

MODEL	COM	GR 1	GR 2	GR 3	GR 4	GR 5	GR 6
<b>6422M</b>	<b>1913</b>	<b>2081</b>	<b>2137</b>	<b>2249</b>	<b>2419</b>	<b>2548</b>	<b>2715</b>

For polyurethane arms add suffix P and \$186

Dimensions (inches)

seat H	18.0	seat W	21.0	arm H	25.0
total H	33.75	total W	48.0	depth	27.5

Exceeds BIFMA Seating Durability Test to 750 lbs per two seater  
CAL 133, add \$224 List per two seater



**6422M**  
51 lbs

## Three Seater with full arms

COM 5.25 yds  
0.75 yd COM per single seat  
1.0 yd COM per single back

MODEL	COM	GR 1	GR 2	GR 3	GR 4	GR 5	GR 6
<b>6423M</b>	<b>2792</b>	<b>3044</b>	<b>3128</b>	<b>3298</b>	<b>3550</b>	<b>3744</b>	<b>3996</b>

For polyurethane arms add suffix P and \$248

Dimensions (inches)

seat H	18.0	seat W	21.0	arm H	25.0
total H	33.75	total W	70.5	depth	27.5

Exceeds BIFMA Seating Durability Test to 1000 lbs per three seater  
CAL 133, add \$336 List per three seater



**6423M**  
75 lbs



# COOPER COLLECTION - HUNTSVILLE Lounge Seating

Designed for today's healthcare facilities

Loveseat with arms

## Standard Features

- Separate seat and back
- Wood arms
- Wood components in Beech, in any of 9 standard stains or stain-to-match at no upcharge
- Wall-saving frame
- Velcro removable back covers
- Replaceable seats
- Threaded replaceable glides
- Use in connected layouts at no upcharge
- Ships assembled as 1, 2 or 3 seaters
- Ships 1/carton 20 cu ft

## Options

- Rounded polyurethane arms, field-replaceable
- Connected and freestanding tables
- 3" clear Cooper Leg Guard, add \$11 List/leg
- Antibacterial and antimicrobial fabrics available
- Different fabric on seat and back at no upcharge
- CAL 133

Contact Spec Customer Service to railroad fabrics (specify repeat info and yardage requirement will be provided) and for repeats greater than 5" x 5"



## Loveseat with arms

COM 4.0 yds  
2.0 yd COM per single seat  
2.0 yd COM per single back

MODEL	COM	GR 1	GR 2	GR 3	GR 4	GR 5	GR 6
<b>6401L</b>	<b>1605</b>	<b>1802</b>	<b>1867</b>	<b>2001</b>	<b>2193</b>	<b>2345</b>	<b>2544</b>

For polyurethane arms add suffix P and \$124

Dimensions (inches)

seat H	18.0	seat W	42.0	arm H	25.0
total H	33.75	total W	44.75	depth	27.5

Exceeds BIFMA Seating Durability Test to 750 lbs per chair  
CAL 133, add \$172 List per chair



**6401L**  
51 lbs



# COOPER COLLECTION - HUNTSVILLE Lounge Seating

Designed for today's healthcare facilities  
Bariatric Single Seater with arms

## Standard Features

- Separate seat and back
- Wood arms
- Wood components in Beech, in any of 9 standard stains or stain-to-match at no upcharge
- Wall-saving frame
- Velcro removable back covers
- Replaceable seats
- Threaded replaceable glides
- Use in connected layouts at no upcharge
- Bariatric seating cannot connect to bariatric seating
- Ships assembled as 1, 2 or 3 seaters
- Ships 1/carton 20 cu ft

## Options

- Rounded polyurethane arms, field-replaceable
- Connected and freestanding tables
- 3" clear Cooper Leg Guard, add \$11 List/leg
- Antibacterial and antimicrobial fabrics available
- Different fabric on seat and back at no upcharge
- CAL 133

Contact Spec Customer Service to railroad fabrics (specify repeat info and yardage requirement will be provided) and for repeats greater than 5" x 5"



## Bariatric Single Seater with arms

COM 3.0 yds  
1.5 yd COM per single seat  
1.5 yd COM per single back

MODEL	COM	GR 1	GR 2	GR 3	GR 4	GR 5	GR 6
<b>6401G</b>	<b>1227</b>	<b>1394</b>	<b>1450</b>	<b>1564</b>	<b>1732</b>	<b>1862</b>	<b>2030</b>

For polyurethane arms add suffix P and \$124

### Dimensions (inches)

seat H	18.0	seat W	30.0	arm H	25.0
total H	33.75	total W	34.25	depth	27.5

Exceeds BIFMA Seating Durability Test to 750 lbs per chair  
CAL 133, add \$140 List per chair



**6401G**  
34 lbs





# COOPER COLLECTION - HUNTSVILLE Lounge Seating

Designed for today's healthcare facilities

Highback Single Seater with arms – Ottoman and Headrest

## Standard Features

- Separate seat and back
- Wood arms
- Wood components in Beech, in any of 9 standard stains or stain-to-match at no upcharge
- Use in connected layouts at no upcharge
- Velcro removable back covers
- Replaceable seats
- Arms replaceable in the field
- Ships assembled as 1, 2 or 3 seaters
- Ships 1/carton 19 cu ft
- Ottoman ships 1/carton 5 cu ft

## Options

- Rounded polyurethane arms, field-replaceable
- Built-in headrest or removable headrest with velcro strap
- Connected and freestanding tables
- 3" clear Cooper Leg Guard, add \$11 List/leg
- Antibacterial and antimicrobial fabrics available
- Different fabric on seat and back at no upcharge
- CAL 133

Contact Spec Customer Service to railroad fabrics (specify repeat info and yardage requirement will be provided) and for repeats greater than 5" x 5"



## Highback Single Seater with arms

COM 2.5 yds  
0.75 yd COM per single seat  
1.75 yds COM per single back

MODEL	COM	GR 1	GR 2	GR 3	GR 4	GR 5	GR 6
<b>6401H</b>	<b>1105</b>	<b>1236</b>	<b>1280</b>	<b>1369</b>	<b>1500</b>	<b>1601</b>	<b>1770</b>

For polyurethane arms add suffix P and \$124

Dimensions (inches)

seat H	18.0	seat W	21.0	arm H	25.0
total H	47.5	total W	25.5	depth	27.5

Exceeds BIFMA Seating Durability Test to 500 lbs per chair  
CAL 133, add \$125 List per chair



**6401H**  
35 lbs

## Ottoman and Headrest

0.5 yd COM per ottoman  
0.5 yd COM per headrest

MODEL	COM	GR 1	GR 2	GR 3	GR 4	GR 5	GR 6
<b>6430F</b>	<b>501</b>	<b>534</b>	<b>544</b>	<b>567</b>	<b>601</b>	<b>626</b>	<b>672</b>
<b>60HR</b>	<b>64</b>	<b>74</b>	<b>86</b>	<b>94</b>	<b>108</b>	<b>118</b>	<b>135</b>

Ottoman Dimensions (inches)

H	11.5	W	19.25	depth	12.25
---	------	---	-------	-------	-------

CAL 133, add \$51 List per ottoman / \$51 per headrest



**6430F**  
16 lbs



**60HR**  
1 lbs



Pricing August 2017  
Discount 57.7% from List prices



SIN 711-16

# COOPER COLLECTION - HUNTSVILLE Lounge Seating

Designed for today's healthcare facilities  
Half and Full Panel Arms

## Options

To order half panel arms, add Z to model number,  
e.g. 6401Z

- Antibacterial and antimicrobial fabrics available
- CAL 133

To order full panel arms, add ZC to model number,  
e.g. 6401ZC

**Pricing is for one half panel arm, e.g. for a single seater chair with half panel arms, add two half panel arms to cost of chair**

Contact Spec Customer Service to railroad fabrics (specify repeat info and yardage requirement will be provided) and for repeats greater than 5" x 5"



## Half & Full Panel Arms

COM 0.5 yds per half panel arm

MODEL	COM	GR 1	GR 2	GR 3	GR 4	GR 5	GR 6
<b>Z</b>	<b>72</b>	<b>95</b>	<b>101</b>	<b>116</b>	<b>139</b>	<b>155</b>	<b>181</b>

COM 0.75 yds per full panel arm

MODEL	COM	GR 1	GR 2	GR 3	GR 4	GR 5	GR 6
<b>ZC</b>	<b>137</b>	<b>179</b>	<b>193</b>	<b>220</b>	<b>263</b>	<b>297</b>	<b>325</b>

CAL 133, add \$40 List per half panel arm/ \$80 List per full panel arm



1.5 lbs per half panel arm



3 lbs per full panel arm



# COOPER COLLECTION - HUNTSVILLE Lounge Seating

Designed for today's healthcare facilities

Freestanding Lounge Tables – Corner and Spacer Connecting Tables

## Standard Features

- Tops in laminate or veneer
- Select laminate tops from 15 standard laminates or choose any standard Wilsonart, Nevamar, Formica, Arborite and Pionite matte finish laminates at no upcharge.
- Freestanding lounge tables available with PVC Flat (PVF), 2mm (2MM) or hardwood (HB) edge
- Connecting table tops available with PVC Flat (PVF) edge, Self edge (SE) or hardwood (HB) edge
- 9 standard veneer and hardwood edge stains. Stain-to-match available at no upcharge.
- Beech legs and Beech table skirts stained the same
- Threaded replaceable glides
- Tops utilize Nu Green earth friendly core
- 18" height

## Options

- Non-standard laminates, contact Spec for pricing
- 3" clear Cooper Leg Guard, add \$11 List/leg
- Custom size spacer tables for restricted spaces
- Other sizes may be available

*Radius Corner Tables are recommended for open areas*



## Freestanding Lounge Tables

Model	Laminate PVF/SE/2MM	Laminate HB Edge	Veneer HB Edge	Weight	Cu.Ft.
64 - 24 x 24 SQ	<b>841</b>	<b>1023</b>	<b>1167</b>	47	7.2
64 - 24 x 48 RE	<b>992</b>	<b>1192</b>	<b>1395</b>	64	18
64 - 30 x 30 SQ	<b>941</b>	<b>1073</b>	<b>1228</b>	57	13.5
64 - 22 DIA	<b>985</b>	<b>1321</b>	<b>1512</b>	47	7.2



## Corner and Spacer Connecting Tables

Model	Laminate PVF/SE	Laminate HB Edge	Veneer HB Edge	Weight	Cu.Ft.
64RC - 28 x 28 <i>Radius Corner Table</i>	<b>777</b>	<b>1042</b>	<b>1221</b>	42	2
64SC - 28 x 28 <i>Square Corner Table</i>	<b>849</b>	<b>1031</b>	<b>1137</b>	46	2
64TC - 45 degree <i>Corner Table</i>	<b>777</b>	<b>1042</b>	<b>1221</b>	40	2
64ST - 21 x 24 <i>Spacer Table</i>	<b>527</b>	<b>744</b>	<b>852</b>	27	2
64ET - 21 x 24 <i>End Table</i>	<b>704</b>	<b>920</b>	<b>1030</b>	37	2

