

# COOPER COLLECTION - MIDLAND Lounge Seating

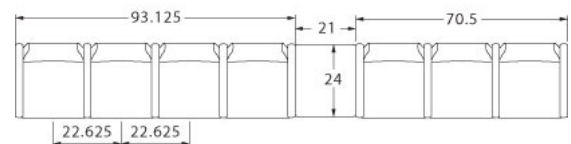
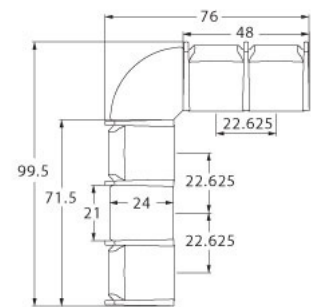
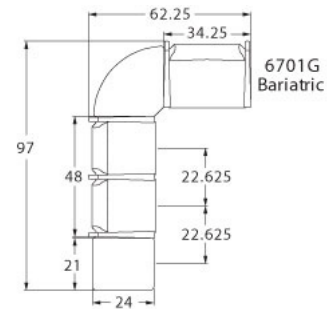
## LAYOUTS



### Description

- Spec's Midland offers a lighter, residential feel at a value price with extensive environmental considerations.
- Your layout possibilities are unlimited with spacer, radius and corner tables – for both standard and bariatric seating in virtually any combination.
- Bariatric seating is a 30" wide seat and is load tested to 750 lbs. Cannot be connected to other bariatric seats.
- 21" seat width is standard.
- Standard in European Beech in any of 9 standard stains or stain-to-match at no upcharge.
- Choice of wood or black polyurethane arms which are replaceable in the field.
- All models offer a choice of no center arms, half arms or full arms to the floor.
- Wall-saving frame is standard to protect both wall and fabric.
- Glides and separate seat and back are standard.
- Foam formulated to meet California Bulletin 133 standards is available.
- Please send a drawing of the configuration you require with your order.
- Ships assembled as one, two and three seater units.
- For fabrics you wish railroaded or repeats larger than 5" x 5", please contact the factory with repeat information and yardage requirement will be provided.

### LAYOUTS AND DIMENSIONS





# COOPER COLLECTION - MIDLAND Lounge Seating



PLACING AN ORDER IS EASY

## PRODUCT CODE

**6701M**

**Collection**  
6 : Cooper

**Series**  
7 : Midland

**Center Arm**  
0 : Outside Arms  
1 : Half Arms  
2 : Full Arms

**Number of Seats**  
1 : Single Seater  
2 : Two Seater  
3 : Three Seater

**Chair Type**  
M : Mid Back  
H : Highback  
L : Loveseat  
G : Bariatric



## OPTIONS

### ARM CAP



Polyurethane

## FINISHES

### FRAME



Select from one of our 9 standard wood stains or stain-to-match at no upcharge

### FABRIC



Select fabrics from one of our textile partners

### ARM CAP



Black



# COOPER COLLECTION - MIDLAND Lounge Seating

Designed for today's healthcare facilities  
Single Seater with arms

## Standard Features

- Separate seat and back
- Wood components in Beech, in any of 9 standard stains or stain-to-match at no upcharge
- Wall-saving frame
- Velcro removable back covers
- Replaceable seats
- Threaded replaceable glides
- Use in connected layouts at no upcharge
- Ships assembled as 1, 2 or 3 seaters
- Ships 1/carton 15 cu ft

## Options

- Replaceable black polyurethane arm cap
- Add 2.5" to back for overall height of 36.5", add \$46 List/single seat
- Connected and freestanding tables
- 3" clear Cooper Leg Guard, add \$10 List/leg
- Antibacterial and antimicrobial fabrics available
- Different fabric on seat and back at no upcharge
- CAL 133

Contact Spec™ Customer Service to railroad fabrics (specify repeat info and yardage requirement will be provided) and for repeats greater than 5" x 5"



## Single Seater with arms

COM 1.75 yds  
0.75 yd COM per single seat  
1.0 yd COM per single back

MODEL	COM	GR 1	GR 2	GR 3	GR 4	GR 5	GR 6
<b>6701M</b>	<b>785</b>	<b>859</b>	<b>883</b>	<b>932</b>	<b>1005</b>	<b>1061</b>	<b>1136</b>

For black polyurethane arm caps add suffix P and \$90

Dimensions (inches)

seat H	18.0	seat W	21.0	arm H	25.0
total H	33.75	total W	25.25	depth	26.25

Exceeds BIFMA Seating Durability Test to 500 lbs per chair  
CAL 133, add \$106 List per seat



**6701M**  
22 lbs

# COOPER COLLECTION - MIDLAND Lounge Seating

Designed for today's healthcare facilities  
Two and Three Seaters with outside arms

## Standard Features

- Separate seat and back
- Wood components in Beech, in any of 9 standard stains or stain-to-match at no upcharge
- Wall-saving frame
- Velcro removable back covers
- Replaceable seats
- Threaded replaceable glides
- Use in connected layouts at no upcharge
- Ships assembled as 1, 2 or 3 seaters
- Ships 1/carton 26 cu ft (2 seater),  
1/carton 39 cu ft (3 seater)

## Options

- Replaceable black polyurethane arm cap
- Add 2.5" to back for overall height of 36.5", add \$46 List/single seat (regular width only)
- Connected and freestanding tables
- 3" clear Cooper Leg Guard, add \$10 List/leg
- Antibacterial and antimicrobial fabrics available
- Different fabric on seat and back at no upcharge
- CAL 133

Contact Spec Customer Service to railroad fabrics (specify repeat info and yardage requirement will be provided) and for repeats greater than 5" x 5"



## Two Seater with outside arms

COM 3.5 yds  
0.75 yd COM per single seat  
1.0 yd COM per single back

MODEL	COM	GR 1	GR 2	GR 3	GR 4	GR 5	GR 6
<b>6702M</b>	<b>1196</b>	<b>1345</b>	<b>1395</b>	<b>1492</b>	<b>1640</b>	<b>1751</b>	<b>1899</b>

For black polyurethane arm caps add suffix P and \$90

Dimensions (inches)

	seat H	18.0	seat W	21.0	arm H	25.0
total H	33.75	total W	44.75	depth	26.25	

Exceeds BIFMA Seating Durability Test to 750 lbs per two seater  
CAL 133, add \$212 List per two seater



**6702M**  
49 lbs

## Three Seater with outside arms

COM 5.25 yds  
0.75 yd COM per single seat  
1.0 yd COM per single back

MODEL	COM	GR 1	GR 2	GR 3	GR 4	GR 5	GR 6
<b>6703M</b>	<b>1647</b>	<b>1872</b>	<b>1944</b>	<b>2092</b>	<b>2311</b>	<b>2478</b>	<b>2701</b>

For black polyurethane arm caps add suffix P and \$90

Dimensions (inches)

	seat H	18.0	seat W	21.0	arm H	25.0
total H	33.75	total W	67.5	depth	26.25	

Exceeds BIFMA Seating Durability Test to 1000 lbs per three seater  
CAL 133, add \$318 List per three seater



**6703M**  
73 lbs



# COOPER COLLECTION - MIDLAND Lounge Seating

Designed for today's healthcare facilities  
Two and Three Seaters with half arms

## Standard Features

- Separate seat and back
- Wood components in Beech, in any of 9 standard stains or stain-to-match at no upcharge
- Wall-saving frame
- Velcro removable back covers
- Replaceable seats
- Threaded replaceable glides
- Use in connected layouts at no upcharge
- Ships assembled as 1, 2 or 3 seaters
- Ships 1/carton 26 cu ft (2 seater),  
1/carton 39 cu ft (3 seater)

## Options

- Replaceable black polyurethane arm cap
- Add 2.5" to back for overall height of 36.5", add \$46 List/single seat (regular width only)
- Connected and freestanding tables
- 3" clear Cooper Leg Guard, add \$10 List/leg
- Antibacterial and antimicrobial fabrics available
- Different fabric on seat and back at no upcharge
- CAL 133

Contact Spec Customer Service to railroad fabrics (specify repeat info and yardage requirement will be provided) and for repeats greater than 5" x 5"



## Two Seater with half arms

COM 3.5 yds  
0.75 yd COM per single seat  
1.0 yd COM per single back

MODEL	COM	GR 1	GR 2	GR 3	GR 4	GR 5	GR 6
<b>6712M</b>	<b>1349</b>	<b>1499</b>	<b>1546</b>	<b>1646</b>	<b>1792</b>	<b>1904</b>	<b>2053</b>

For black polyurethane arm caps add suffix P and \$135

Dimensions (inches)

	seat H	18.0	seat W	21.0	arm H	25.0
total H	33.75	total W	48.0	depth	26.25	

Exceeds BIFMA Seating Durability Test to 750 lbs two seater  
CAL 133, add \$212 List per two seater



**6712M**  
49 lbs

## Three Seater with half arms

COM 5.25 yds  
0.75 yd COM per single seat  
1.0 yd COM per single back

MODEL	COM	GR 1	GR 2	GR 3	GR 4	GR 5	GR 6
<b>6713M</b>	<b>1975</b>	<b>2198</b>	<b>2271</b>	<b>2418</b>	<b>2639</b>	<b>2806</b>	<b>3030</b>

For black polyurethane arm caps add suffix P and \$180

Dimensions (inches)

	seat H	18.0	seat W	21.0	arm H	25.0
total H	33.75	total W	70.5	depth	26.25	

Exceeds BIFMA Seating Durability Test to 1000 lbs per three seater  
CAL 133, add \$318 List per three seater



**6713M**  
73 lbs



# COOPER COLLECTION - MIDLAND Lounge Seating

Designed for today's healthcare facilities

Two and Three Seaters with full arms

## Standard Features

- Separate seat and back
- Wood components in Beech, in any of 9 standard stains or stain-to-match at no upcharge
- Wall-saving frame
- Velcro removable back covers
- Replaceable seats
- Threaded replaceable glides
- Use in connected layouts at no upcharge
- Ships assembled as 1, 2 or 3 seaters
- Ships 1/carton 26 cu ft (2 seater),  
1/carton 39 cu ft (3 seater)

## Options

- Replaceable black polyurethane arm cap
- Add 2.5" to back for overall height of 36.5", add \$46 List/single seat (regular width only)
- Connected and freestanding tables
- 3" clear Cooper Leg Guard, add \$10 List/leg
- Antibacterial and antimicrobial fabrics available
- Different fabric on seat and back at no upcharge
- CAL 133

Contact Spec Customer Service to railroad fabrics (specify repeat info and yardage requirement will be provided) and for repeats greater than 5" x 5"



## Two Seater with full arms

COM 3.5 yds  
0.75 yd COM per single seat  
1.0 yd COM per single back

MODEL	COM	GR 1	GR 2	GR 3	GR 4	GR 5	GR 6
<b>6722M</b>	<b>1349</b>	<b>1499</b>	<b>1546</b>	<b>1646</b>	<b>1792</b>	<b>1904</b>	<b>2053</b>

For black polyurethane arm caps add suffix P and \$135

Dimensions (inches)

seat H	18.0	seat W	21.0	arm H	25.0
total H	33.75	total W	48.0	depth	26.25

Exceeds BIFMA Seating Durability Test to 750 lbs per two seater  
CAL 133, add \$212 List per two seater



**6722M**  
49 lbs

## Three Seater with full arms

COM 5.25 yds  
0.75 yd COM per single seat  
1.0 yd COM per single back

MODEL	COM	GR 1	GR 2	GR 3	GR 4	GR 5	GR 6
<b>6723M</b>	<b>1975</b>	<b>2198</b>	<b>2271</b>	<b>2418</b>	<b>2639</b>	<b>2806</b>	<b>3030</b>

For black polyurethane arm caps add suffix P and \$180

Dimensions (inches)

seat H	18.0	seat W	21.0	arm H	25.0
total H	33.75	total W	70.5	depth	26.25

Exceeds BIFMA Seating Durability Test to 1000 lbs per three seater  
CAL 133, add \$318 List per three seater



**6723M**  
73 lbs



# COOPER COLLECTION - MIDLAND Lounge Seating

Designed for today's healthcare facilities

Loveseat with arms

## Standard Features

- Separate seat and back
- Wood components in Beech, in any of 9 standard stains or stain-to-match at no upcharge
- Wall-saving frame
- Velcro removable back covers
- Replaceable seats
- Threaded replaceable glides
- Use in connected layouts at no upcharge
- Ships assembled as 1, 2 or 3 seaters
- Ships 1/carton 20 cu ft

## Options

- Replaceable black polyurethane arm cap
- Connected and freestanding tables
- 3" clear Cooper Leg Guard, add \$10 List/leg
- Antibacterial and antimicrobial fabrics available
- Different fabric on seat and back at no upcharge
- CAL 133

Contact Spec Customer Service to railroad fabrics (specify repeat info and yardage requirement will be provided) and for repeats greater than 5" x 5"



## Loveseat with arms

COM 4.0 yds  
 2.0 yd COM per single seat  
 2.0 yd COM per single back

MODEL	COM	GR 1	GR 2	GR 3	GR 4	GR 5	GR 6
<b>6701L</b>	<b>1176</b>	<b>1351</b>	<b>1408</b>	<b>1522</b>	<b>1694</b>	<b>1823</b>	<b>1997</b>

For black polyurethane arm caps add suffix P and \$90

Dimensions (inches)

seat H	18.0	seat W	42.0	arm H	25.0
total H	33.75	total W	46.25	depth	26.25

Exceeds BIFMA Seating Durability Test to 750 lbs per chair  
 CAL 133, add \$160 List per chair



**6701L**  
49 lbs



# COOPER COLLECTION - MIDLAND Lounge Seating

Designed for today's healthcare facilities  
Bariatric Single Seater with arms

## Standard Features

- Separate seat and back
- Wood components in Beech, in any of 9 standard stains or stain-to-match at no upcharge
- Wall-saving frame
- Velcro removable back covers
- Replaceable seats
- Threaded replaceable glides
- Use in connected layouts at no upcharge
- Ships assembled as 1, 2 or 3 seaters
- Ships 1/carton 20 cu ft

## Options

- Replaceable black polyurethane arm cap
- Connected and freestanding tables
- 3" clear Cooper Leg Guard, add \$10 List/leg
- Antibacterial and antimicrobial fabrics available
- Different fabric on seat and back at no upcharge
- CAL 133

Contact Spec Customer Service to railroad fabrics (specify repeat info and yardage requirement will be provided) and for repeats greater than 5" x 5"



## Bariatric Single Seater with arms

COM 3.0 yds  
1.5 yd COM per single seat  
1.5 yd COM per single back

MODEL	COM	GR 1	GR 2	GR 3	GR 4	GR 5	GR 6
<b>6701G</b>	<b>998</b>	<b>1146</b>	<b>1196</b>	<b>1296</b>	<b>1441</b>	<b>1553</b>	<b>1702</b>

For black polyurethane arm caps add suffix P and \$90

Dimensions (inches)

seat H	18.0	seat W	30.0	arm H	25.0
total H	33.75	total W	34.25	depth	26.25

Exceeds BIFMA Seating Durability Test to 750 lbs per chair  
CAL 133, add \$128 List per chair



**6701G**  
32 lbs





# COOPER COLLECTION - MIDLAND Lounge Seating

Designed for today's healthcare facilities  
 Highback Single Seater with arms – Ottoman

## Standard Features

- Separate seat and back
- Wood components in Beech, in any of 9 standard stains or stain-to-match at no upcharge
- Wall-saving frame
- Threaded replaceable glides
- Use in connected layouts at no upcharge
- Ships assembled as 1, 2 or 3 seaters
- Ships 1/carton 20 cu ft
- Ottoman ships 1/carton 5 cu ft

## Options

- Replaceable black polyurethane arm cap
- Connected and freestanding tables
- 3" clear Cooper Leg Guard, add \$10 List/leg
- Antibacterial and antimicrobial fabrics available
- Different fabric on seat and back at no upcharge
- CAL 133

Contact Spec Customer Service to railroad fabrics (specify repeat info and yardage requirement will be provided) and for repeats greater than 5" x 5"



## Highback Single Seater with arms

COM 2.5 yds  
 0.75 yd COM per single seat  
 1.75 yds COM per single back

MODEL	COM	GR 1	GR 2	GR 3	GR 4	GR 5	GR 6
<b>6701H</b>	<b>890</b>	<b>1015</b>	<b>1055</b>	<b>1137</b>	<b>1260</b>	<b>1353</b>	<b>1477</b>

For black polyurethane arm caps add suffix P and \$90

Dimensions (inches)

	seat H	18.0	seat W	21.0	arm H	25.0
total H	47.5	total W	25.25	depth	26.25	

Exceeds BIFMA Seating Durability Test to 500 lbs per chair  
 CAL 133, add \$116 List per chair



**6701H**  
33 lbs

## Ottoman

COM 0.5 yd

MODEL	COM	GR 1	GR 2	GR 3	GR 4	GR 5	GR 6
<b>6730F</b>	<b>471</b>	<b>500</b>	<b>510</b>	<b>529</b>	<b>558</b>	<b>581</b>	<b>610</b>

Dimensions (inches)

H	11.5	W	19.25	depth	12.25
---	------	---	-------	-------	-------

CAL 133, add \$47 List per Ottoman



**6730F**  
16 lbs

# COOPER COLLECTION - MIDLAND Lounge Seating

Designed for today's healthcare facilities

Freestanding Lounge Tables – Corner and Spacer Connecting Tables

## Standard Features

- Tops in laminate or veneer
- Select laminate tops from 15 standard laminates or choose any standard Wilsonart, Nevamar, Formica, Arborite and Pionite matte finish laminates at no upcharge.
- Freestanding lounge tables available with PVC Flat (PVF), 2mm (2MM) or hardwood (HB) edge
- Connecting table tops available with PVC Flat (PVF) edge, Self edge (SE) or hardwood (HB) edge
- 9 standard veneer and hardwood edge stains. Stain-to-match available at no upcharge.
- Beech legs and Beech table skirts stained the same
- Tops utilize Nu Green earth friendly core
- Threaded replaceable glides
- 18" height

## Options

- Non-standard laminates, contact Spec for pricing
- 3" clear Cooper Leg Guard, add \$10 List/leg
- Custom size spacer tables for restricted spaces
- Self edge available at same cost as PVC Flat (PVF) edge
- Other sizes may be available

Radius Corner Tables are recommended for open areas



## Freestanding Lounge Tables

Model	Laminate PVF/SE/2MM	Laminate HB Edge	Veneer HB Edge	Weight	Cu.Ft.
67 - 24 x 24 SQ	<b>734</b>	<b>895</b>	<b>1021</b>	47	7.2
67 - 24 x 48 RE	<b>869</b>	<b>1042</b>	<b>1219</b>	64	18
67 - 30 x 30 SQ	<b>823</b>	<b>939</b>	<b>1075</b>	57	13.5
67 - 22 DIA	<b>881</b>	<b>1172</b>	<b>1341</b>	47	7.2



## Corner and Spacer Connecting Tables

Model	Laminate PVF/SE	Laminate HB Edge	Veneer HB Edge	Weight	Cu.Ft.
67RC - 28 x 28 <i>Radius Corner Table</i>	<b>719</b>	<b>993</b>	<b>1164</b>	42	2
67SC - 28 x 28 <i>Square Corner Table</i>	<b>787</b>	<b>955</b>	<b>1054</b>	46	2
67TC - 45 degree <i>Corner Table</i>	<b>719</b>	<b>993</b>	<b>1164</b>	40	2
67ST - 21 x 24 <i>Spacer Table</i>	<b>488</b>	<b>690</b>	<b>790</b>	27	2
67ET - 21 x 24 <i>End Table</i>	<b>652</b>	<b>853</b>	<b>954</b>	37	2

