



COOPER COLLECTION - MIDLAND Lounge Seating

LAYOUTS

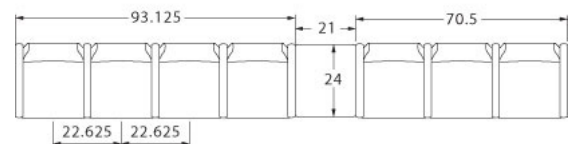
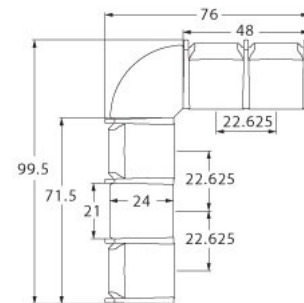
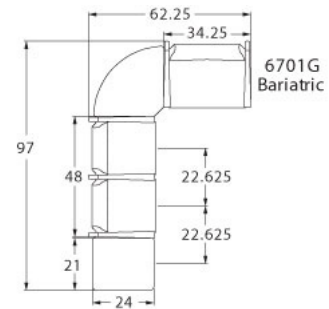


Description

- Spec's Midland offers a lighter, residential feel at a value price with extensive environmental considerations.
- Your layout possibilities are unlimited with spacer, radius and corner tables – for both standard and bariatric seating in virtually any combination.
- Bariatric seating is a 30" wide seat and is load tested to 750 lbs. Cannot be connected to other bariatric seats.
- 21" seat width is standard.
- Standard in European Beech in any of 9 standard stains or stain-to-match at no upcharge.
- Choice of wood or black polyurethane arms which are replaceable in the field.
- All models offer a choice of no center arms, half arms or full arms to the floor.
- Wall-saving frame is standard to protect both wall and fabric.
- Glides and separate seat and back are standard.
- Foam formulated to meet California Bulletin 133 standards is available.
- Please send a drawing of the configuration you require with your order.
- Ships assembled as one, two and three seater units.
- For fabrics you wish railroaded or repeats larger than 5" x 5", please contact the factory with repeat information and yardage requirement will be provided.



LAYOUTS AND DIMENSIONS





Pricing August 2017
Discount 57.7% from List prices



COOPER COLLECTION - MIDLAND Lounge Seating



PLACING AN ORDER IS EASY

PRODUCT CODE

6701M

Collection
6 : Cooper

Series
7 : Midland

Center Arm
0 : Outside Arms
1 : Half Arms
2 : Full Arms

Number of Seats
1 : Single Seater
2 : Two Seater
3 : Three Seater

Chair Type
M : Mid Back
H : Highback
L : Loveseat
G : Bariatric



OPTIONS

ARM CAP



Polyurethane

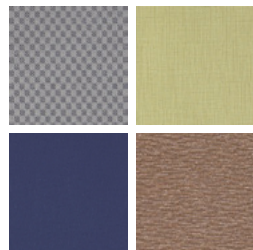
FINISHES

FRAME



Select from one of our 9 standard wood stains or stain-to-match at no upcharge

FABRIC



Select fabrics from one of our textile partners

ARM CAP



Black



Pricing August 2017
Discount 57.7% from List prices



SIN 711-16

COOPER COLLECTION - MIDLAND Lounge Seating

Designed for today's healthcare facilities
Single Seater with arms

Standard Features

- Separate seat and back
- Wood components in Beech, in any of 9 standard stains or stain-to-match at no upcharge
- Wall-saving frame
- Velcro removable back covers
- Replaceable seats
- Threaded replaceable glides
- Use in connected layouts at no upcharge
- Ships assembled as 1, 2 or 3 seaters
- Ships 1/carton 15 cu ft

Options

- Replaceable black polyurethane arm cap
- Add 2.5" to back for overall height of 36.5", add \$45 List/single seat
- Connected and freestanding tables
- 3" clear Cooper Leg Guard, add \$11 List/leg
- Antibacterial and antimicrobial fabrics available
- Different fabric on seat and back at no upcharge
- CAL 133

Contact Spec™ Customer Service to railroad fabrics (specify repeat info and yardage requirement will be provided) and for repeats greater than 5" x 5"



Single Seater with arms

COM 1.75 yds
0.75 yd COM per single seat
1.0 yd COM per single back

MODEL	COM	GR 1	GR 2	GR 3	GR 4	GR 5	GR 6
6701M	844	929	955	1013	1095	1161	1245

For black polyurethane arm caps add suffix P and \$90

Dimensions (inches)

seat H	18.0	seat W	21.0	arm H	25.0
total H	33.75	total W	25.25	depth	26.25

Exceeds BIFMA Seating Durability Test to 500 lbs per chair
CAL 133, add \$112 List per seat



6701M
22 lbs



COOPER COLLECTION - MIDLAND Lounge Seating

Designed for today's healthcare facilities
Two and Three Seaters with outside arms

Standard Features

- Separate seat and back
- Wood components in Beech, in any of 9 standard stains or stain-to-match at no upcharge
- Wall-saving frame
- Velcro removable back covers
- Replaceable seats
- Threaded replaceable glides
- Use in connected layouts at no upcharge
- Ships assembled as 1, 2 or 3 seaters
- Ships 1/carton 26 cu ft (2 seater),
1/carton 39 cu ft (3 seater)

Options

- Replaceable black polyurethane arm cap
- Add 2.5" to back for overall height of 36.5", add \$45 List/single seat (regular width only)
- Connected and freestanding tables
- 3" clear Cooper Leg Guard, add \$11 List/leg
- Antibacterial and antimicrobial fabrics available
- Different fabric on seat and back at no upcharge
- CAL 133

Contact Spec Customer Service to railroad fabrics (specify repeat info and yardage requirement will be provided) and for repeats greater than 5" x 5"



Two Seater with outside arms

COM 3.5 yds
0.75 yd COM per single seat
1.0 yd COM per single back

MODEL	COM	GR 1	GR 2	GR 3	GR 4	GR 5	GR 6
6702M	1315	1484	1539	1654	1819	1949	2120

For black polyurethane arm caps add suffix P and \$90

Dimensions (inches)

	seat H	18.0	seat W	21.0	arm H	25.0
total H	33.75	total W	44.75	depth	26.25	

Exceeds BIFMA Seating Durability Test to 750 lbs per two seater
CAL 133, add \$224 List per two seater



6702M
49 lbs

Three Seater with outside arms

COM 5.25 yds
0.75 yd COM per single seat
1.0 yd COM per single back

MODEL	COM	GR 1	GR 2	GR 3	GR 4	GR 5	GR 6
6703M	1812	2064	2145	2321	2567	2762	3018

For black polyurethane arm caps add suffix P and \$90

Dimensions (inches)

	seat H	18.0	seat W	21.0	arm H	25.0
total H	33.75	total W	67.5	depth	26.25	

Exceeds BIFMA Seating Durability Test to 1000 lbs per three seater
CAL 133, add \$336 List per three seater



6703M
73 lbs



COOPER COLLECTION - MIDLAND Lounge Seating

Designed for today's healthcare facilities
Two and Three Seaters with half arms

Standard Features

- Separate seat and back
- Wood components in Beech, in any of 9 standard stains or stain-to-match at no upcharge
- Wall-saving frame
- Velcro removable back covers
- Replaceable seats
- Threaded replaceable glides
- Use in connected layouts at no upcharge
- Ships assembled as 1, 2 or 3 seaters
- Ships 1/carton 26 cu ft (2 seater),
1/carton 39 cu ft (3 seater)

Options

- Replaceable black polyurethane arm cap
- Add 2.5" to back for overall height of 36.5", add \$45 List/single seat (regular width only)
- Connected and freestanding tables
- 3" clear Cooper Leg Guard, add \$11 List/leg
- Antibacterial and antimicrobial fabrics available
- Different fabric on seat and back at no upcharge
- CAL 133

Contact Spec Customer Service to railroad fabrics (specify repeat info and yardage requirement will be provided) and for repeats greater than 5" x 5"



Two Seater with half arms

COM 3.5 yds
0.75 yd COM per single seat
1.0 yd COM per single back

MODEL	COM	GR 1	GR 2	GR 3	GR 4	GR 5	GR 6
6712M	1484	1652	1707	1823	1987	2119	2288

For black polyurethane arm caps add suffix P and \$135

Dimensions (inches)

	seat H	18.0	seat W	21.0	arm H	25.0
total H	33.75	total W	48.0	depth	26.25	

Exceeds BIFMA Seating Durability Test to 750 lbs two seater
CAL 133, add \$224 List per two seater



6712M
49 lbs

Three Seater with half arms

COM 5.25 yds
0.75 yd COM per single seat
1.0 yd COM per single back

MODEL	COM	GR 1	GR 2	GR 3	GR 4	GR 5	GR 6
6713M	2172	2425	2506	2681	2927	3123	3378

For black polyurethane arm caps add suffix P and \$180

Dimensions (inches)

	seat H	18.0	seat W	21.0	arm H	25.0
total H	33.75	total W	70.5	depth	26.25	

Exceeds BIFMA Seating Durability Test to 1000 lbs per three seater
CAL 133, add \$336 List per three seater



6713M
73 lbs



COOPER COLLECTION - MIDLAND Lounge Seating

Designed for today's healthcare facilities

Two and Three Seaters with full arms

Standard Features

- Separate seat and back
- Wood components in Beech, in any of 9 standard stains or stain-to-match at no upcharge
- Wall-saving frame
- Velcro removable back covers
- Replaceable seats
- Threaded replaceable glides
- Use in connected layouts at no upcharge
- Ships assembled as 1, 2 or 3 seaters
- Ships 1/carton 26 cu ft (2 seater),
1/carton 39 cu ft (3 seater)

Options

- Replaceable black polyurethane arm cap
- Add 2.5" to back for overall height of 36.5", add \$45 List/single seat (regular width only)
- Connected and freestanding tables
- 3" clear Cooper Leg Guard, add \$11 List/leg
- Antibacterial and antimicrobial fabrics available
- Different fabric on seat and back at no upcharge
- CAL 133

Contact Spec Customer Service to railroad fabrics (specify repeat info and yardage requirement will be provided) and for repeats greater than 5" x 5"



Two Seater with full arms

COM 3.5 yds
0.75 yd COM per single seat
1.0 yd COM per single back

MODEL	COM	GR 1	GR 2	GR 3	GR 4	GR 5	GR 6
6722M	1484	1652	1707	1823	1987	2119	2288

For black polyurethane arm caps add suffix P and \$135

Dimensions (inches)

seat H	18.0	seat W	21.0	arm H	25.0
total H	33.75	total W	48.0	depth	26.25

Exceeds BIFMA Seating Durability Test to 750 lbs per two seater
CAL 133, add \$224 List per two seater



6722M
49 lbs

Three Seater with full arms

COM 5.25 yds
0.75 yd COM per single seat
1.0 yd COM per single back

MODEL	COM	GR 1	GR 2	GR 3	GR 4	GR 5	GR 6
6723M	2172	2425	2506	2681	2927	3123	3378

For black polyurethane arm caps add suffix P and \$180

Dimensions (inches)

seat H	18.0	seat W	21.0	arm H	25.0
total H	33.75	total W	70.5	depth	26.25

Exceeds BIFMA Seating Durability Test to 1000 lbs per three seater
CAL 133, add \$336 List per three seater



6723M
73 lbs



COOPER COLLECTION - MIDLAND Lounge Seating

Designed for today's healthcare facilities

Loveseat with arms

Standard Features

- Separate seat and back
- Wood components in Beech, in any of 9 standard stains or stain-to-match at no upcharge
- Wall-saving frame
- Velcro removable back covers
- Replaceable seats
- Threaded replaceable glides
- Use in connected layouts at no upcharge
- Ships assembled as 1, 2 or 3 seaters
- Ships 1/carton 20 cu ft

Options

- Replaceable black polyurethane arm cap
- Connected and freestanding tables
- 3" clear Cooper Leg Guard, add \$11 List/leg
- Antibacterial and antimicrobial fabrics available
- Different fabric on seat and back at no upcharge
- CAL 133

Contact Spec Customer Service to railroad fabrics (specify repeat info and yardage requirement will be provided) and for repeats greater than 5" x 5"



Loveseat with arms

COM 4.0 yds
2.0 yd COM per single seat
2.0 yd COM per single back

MODEL	COM	GR 1	GR 2	GR 3	GR 4	GR 5	GR 6
6701L	1293	1491	1554	1689	1881	2033	2232

For black polyurethane arm caps add suffix P and \$90

Dimensions (inches)

seat H	18.0	seat W	42.0	arm H	25.0
total H	33.75	total W	46.25	depth	26.25

Exceeds BIFMA Seating Durability Test to 750 lbs per chair
CAL 133, add \$172 List per chair



6701L
49 lbs



COOPER COLLECTION - MIDLAND Lounge Seating

Designed for today's healthcare facilities
Bariatric Single Seater with arms

Standard Features

- Separate seat and back
- Wood components in Beech, in any of 9 standard stains or stain-to-match at no upcharge
- Wall-saving frame
- Velcro removable back covers
- Replaceable seats
- Threaded replaceable glides
- Use in connected layouts at no upcharge
- Ships assembled as 1, 2 or 3 seaters
- Ships 1/carton 20 cu ft

Options

- Replaceable black polyurethane arm cap
- Connected and freestanding tables
- 3" clear Cooper Leg Guard, add \$11 List/leg
- Antibacterial and antimicrobial fabrics available
- Different fabric on seat and back at no upcharge
- CAL 133

Contact Spec Customer Service to railroad fabrics (specify repeat info and yardage requirement will be provided) and for repeats greater than 5" x 5"



Bariatric Single Seater with arms

COM 3.0 yds
1.5 yd COM per single seat
1.5 yd COM per single back

MODEL	COM	GR 1	GR 2	GR 3	GR 4	GR 5	GR 6
6701G	1098	1266	1320	1437	1600	1731	1901

For black polyurethane arm caps add suffix P and \$90

Dimensions (inches)

seat H	18.0	seat W	30.0	arm H	25.0
total H	33.75	total W	34.25	depth	26.25

Exceeds BIFMA Seating Durability Test to 750 lbs per chair
CAL 133, add \$140 List per chair



6701G
32 lbs



COOPER COLLECTION - MIDLAND Lounge Seating

Designed for today's healthcare facilities
Highback Single Seater with arms – Ottoman

Standard Features

- Separate seat and back
- Wood components in Beech, in any of 9 standard stains or stain-to-match at no upcharge
- Wall-saving frame
- Threaded replaceable glides
- Use in connected layouts at no upcharge
- Ships assembled as 1, 2 or 3 seaters
- Ships 1/carton 20 cu ft
- Ottoman ships 1/carton 5 cu ft

Options

- Replaceable black polyurethane arm cap
- Connected and freestanding tables
- 3" clear Cooper Leg Guard, add \$11 List/leg
- Antibacterial and antimicrobial fabrics available
- Different fabric on seat and back at no upcharge
- CAL 133

Contact Spec Customer Service to railroad fabrics (specify repeat info and yardage requirement will be provided) and for repeats greater than 5" x 5"



Highback Single Seater with arms

COM 2.5 yds
0.75 yd COM per single seat
1.75 yds COM per single back

MODEL	COM	GR 1	GR 2	GR 3	GR 4	GR 5	GR 6
6701H	978	1120	1165	1261	1399	1507	1649

For black polyurethane arm caps add suffix P and \$90

Dimensions (inches)

seat H	18.0	seat W	21.0	arm H	25.0
total H	47.5	total W	25.25	depth	26.25

Exceeds BIFMA Seating Durability Test to 500 lbs per chair
CAL 133, add \$125 List per chair



6701H
33 lbs

Ottoman

COM 0.5 yd

MODEL	COM	GR 1	GR 2	GR 3	GR 4	GR 5	GR 6
6730F	527	561	573	593	627	653	697

Dimensions (inches)

H	11.5	W	19.25	depth	12.25
---	------	---	-------	-------	-------

CAL 133, add \$51 List per Ottoman



6730F
16 lbs



COOPER COLLECTION - MIDLAND Lounge Seating

Designed for today's healthcare facilities

Freestanding Lounge Tables – Corner and Spacer Connecting Tables

Standard Features

- Tops in laminate or veneer
- Select laminate tops from 15 standard laminates or choose any standard Wilsonart, Nevamar, Formica, Arborite and Pionite matte finish laminates at no upcharge.
- Freestanding lounge tables available with PVC Flat (PVF), 2mm (2MM) or hardwood (HB) edge
- Connecting table tops available with PVC Flat (PVF) edge, Self edge (SE) or hardwood (HB) edge
- 9 standard veneer and hardwood edge stains. Stain-to-match available at no upcharge.
- Beech legs and Beech table skirts stained the same
- Tops utilize Nu Green earth friendly core
- Threaded replaceable glides
- 18" height

Options

- Non-standard laminates, contact Spec for pricing
- 3" clear Cooper Leg Guard, add \$11 List/leg
- Custom size spacer tables for restricted spaces
- Self edge available at same cost as PVC Flat (PVF) edge
- Other sizes may be available

Radius Corner Tables are recommended for open areas



Freestanding Lounge Tables

Model	Laminate PVF/SE/2MM	Laminate HB Edge	Veneer HB Edge	Weight	Cu.Ft.
67 - 24 x 24 SQ	841	1023	1167	47	7.2
67 - 24 x 48 RE	992	1192	1395	64	18
67 - 30 x 30 SQ	941	1073	1228	57	13.5
67 - 22 DIA	985	1321	1512	47	7.2



Corner and Spacer Connecting Tables

Model	Laminate PVF/SE	Laminate HB Edge	Veneer HB Edge	Weight	Cu.Ft.
67RC - 28 x 28 <i>Radius Corner Table</i>	777	1042	1221	42	2
67SC - 28 x 28 <i>Square Corner Table</i>	849	1031	1137	46	2
67TC - 45 degree <i>Corner Table</i>	777	1042	1221	40	2
67ST - 21 x 24 <i>Spacer Table</i>	527	744	852	27	2
67ET - 21 x 24 <i>End Table</i>	704	920	1030	37	2

