

# BOARDGAMES TABLES



## PRODUCT CODE

**4896 BT BG EL - L**

### Top Size

Width x Length

### Top Shape

D : Round  
 SQ : Square  
 RE : Rectangle  
 REA: Rectangle Arc  
 RT : Racetrack  
 BT : Boatshape  
 BTA : Boatshape Arc

EL : Ellipse  
 VC : Video  
 Conference  
 VCA : Video  
 Conference Arc

### Series

BG : Boardgame  
 PL : Plinth

### Base Shape

DR : Drum  
 RE : Rectangle  
 SQ : Square  
 EL : Ellipse  
 DDR : D-Drum  
 HDR : Half Drum

### Finish

L : Laminate  
 V : Veneer

## OPTIONS

### BASE

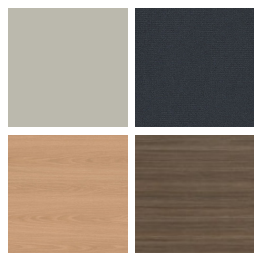


### TRIM DETAIL



## FINISHES

### LAMINATE



Select from 15 standard laminates or choose any standard Wilsonart, Nevamar, Formica, Arborite and Pionite matte finish laminates at no upcharge

### VENEER



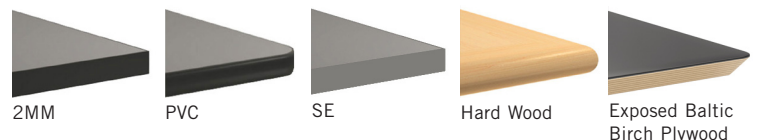
Select from one of our 9 standard wood stains or stain-to-match at no upcharge

### ALUMINUM BASE TRIM



Select from one of our 76 standard Spectone colors

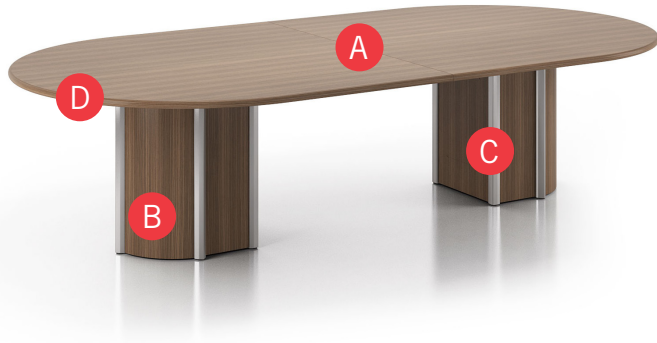
### EDGE



See Spectone Card or [specfurniture.com/materials/finishes](http://specfurniture.com/materials/finishes) for a complete list of finish options and colors.

# BOARDGAMES TABLES

## HOW TO ORDER



### Specify Top Size (Width x Length) and Shape

- A** Specify Top Type and Finish  
*For Laminate Top: Manufacturer, Laminate Name, Laminate Code*  
*For Veneer Top: Wood Stain*
- B** Specify Edge Type, (for hardwood: Style), and Finish  
*PVC/2mm/Self Edge/Exposed Baltic Birch Plywood/Hardwood*
- C** Specify Base Type and Finish  
*For Laminate Base: Manufacturer, Laminate Name, Laminate Code*  
*For Veneer Base: Wood Stain*
- D** Specify Base Trim Type and Finish  
*For Aluminum: RAL Color*  
*For Wood: Wood Stain*

Optional: Grommets, Power and Data Modules, Custom Solutions



| Top Size and Shape | Top Type and Finish             | Edge Type and Finish                   | Base Type and Finish            | Base Trim Type and Finish |
|--------------------|---------------------------------|--|---------------------------------|---------------------------|
| 24 x 72, Racetrack | Laminate, Arborite, Brown Sugar | Hardwood, HF, Custom Brown Sugar Stain | Laminate, Arborite, Brown Sugar | Aluminum, Silver          |

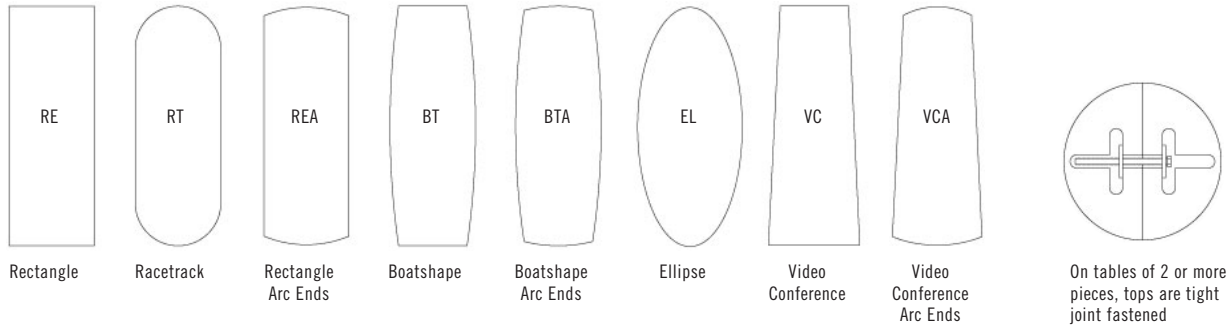


# BOARDGAMES TABLES BOARDROOM

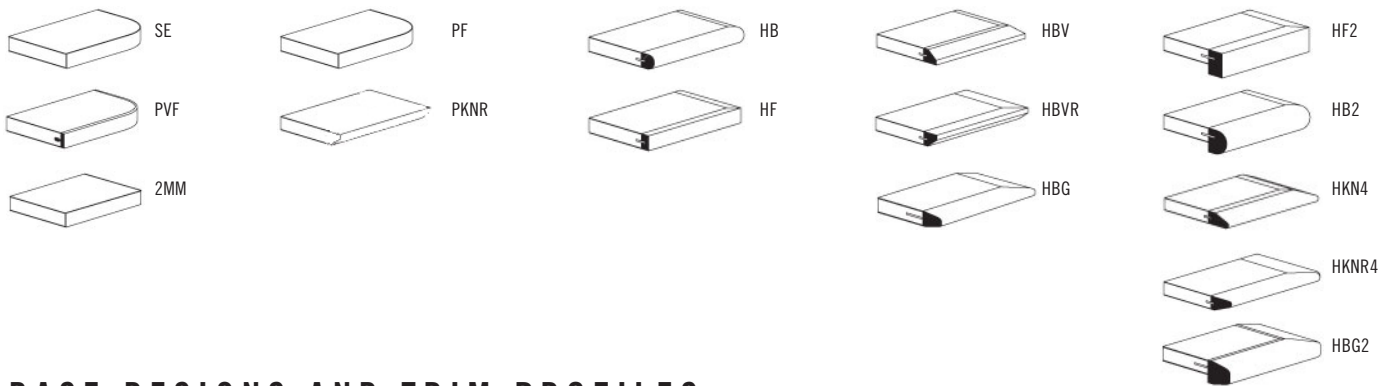
## TABLETOP SHAPES

On one piece tabletops, grain direction runs lengthwise.

On tabletops of two or more pieces, grain direction runs from side to side, as standard.



## EDGE PROFILES

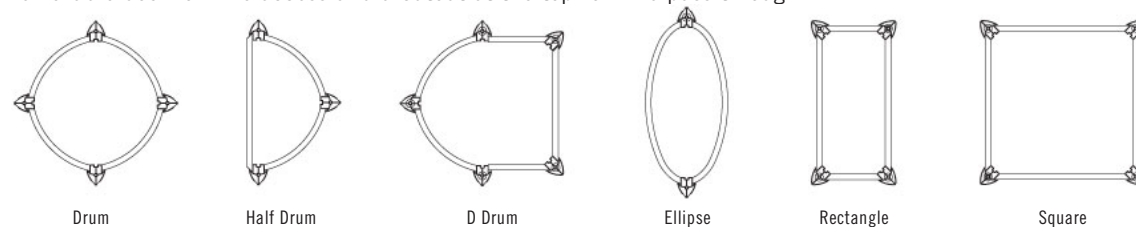


## BASE DESIGNS AND TRIM PROFILES

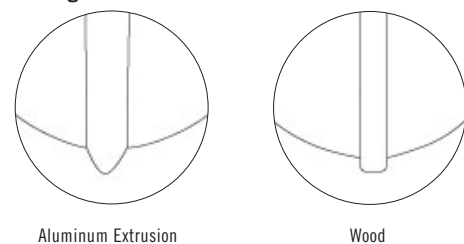
### Boardgames - Base Designs

Six different Boardgames bases are available, in laminate or veneer, standard at 22" width. For 30" width options, please contact Spec Customer Service. Each base features trim profiles in your choice of aluminum extrusion or wood. Aluminum extrusion is available in any Spectone color at no upcharge.

Wood trim on base stained in any of Spec's 9 standard stain colors or stain-to-match at no upcharge. The bases are standard with a removable door for wire access and a cutout at the top for wire pass-through.



### Boardgames - Base Trim Profiles





# BOARDGAMES TABLES

## BOARDROOM

### TABLETOP



| MODEL        | TABLETOPS |                    | TOP AND EDGE SPECIFICATIONS |          |                    |                                     |                                |                                     | BASES                        |            | LBS |
|--------------|-----------|--------------------|-----------------------------|----------|--------------------|-------------------------------------|--------------------------------|-------------------------------------|------------------------------|------------|-----|
|              | Code      | Number of Sections | For Laminate Top            |          |                    | For Veneer Top                      |                                |                                     | Number of Bases Required     | Base width |     |
|              |           |                    | SE<br>PVF<br>2MM            | HF<br>HB | HBV<br>HBVR<br>HBG | HF2<br>HB2<br>HKN4<br>HKNR4<br>HBG2 | HF<br>HB<br>HBV<br>HBVR<br>HBG | HF2<br>HB2<br>HKN4<br>HKNR4<br>HBG2 | BGDR<br>BGSQ<br>PLDR<br>PLSQ |            |     |
| <i>Round</i> |           |                    |                             |          |                    |                                     |                                |                                     |                              |            |     |
| 42           | 42D       | 1                  | 588                         | 1098     | 1205               | 1439                                | 1463                           | 1740                                | 1                            | 22"        | 110 |
| 48           | 48D       | 1                  | 609                         | 1292     | 1409               | 1527                                | 1944                           | 2298                                | 1                            | 22"        | 126 |
| 54           | 54D       | 1                  | 864                         | 1870     | 2055               | 2234                                | 2440                           | 2896                                | 1                            | 22"        | 146 |
| 60           | 60D       | 1                  | 905                         | 2049     | 2245               | 2397                                | 3002                           | 3568                                | 1                            | 30"        | 165 |



## BASES

| MODEL  | BASE SHAPES | FINISH             | BASE PRICE |          | LBS  |    |
|--------|-------------|--------------------|------------|----------|------|----|
|        |             |                    | 22" wide   | 30" wide |      |    |
| BGDR-L |             | BOARDGAME DRUM     | Laminate   | 1304     | 1826 | 75 |
| BGDR-V |             | Veneer             | 1461       | 2045     | 75   |    |
| BGSQ-L |             | BOARDGAME SQUARE   | Laminate   | 861      | 1205 | 70 |
| BGSQ-V |             | Veneer             | 1017       | 1424     | 70   |    |
| PLDR-L |             | PLINTH BASE DRUM   | Laminate   | 1304     | 1826 | 75 |
| PLDR-V |             | Veneer             | 1461       | 2045     | 75   |    |
| PLSQ-L |             | PLINTH BASE SQUARE | Laminate   | 861      | 1205 | 70 |
| PLSQ-V |             | Veneer             | 1017       | 1424     | 70   |    |



BGDR



BGSQ



PLSQ



PLDR

For applicable Power & Data modules, please see Table Accessories Price List.



# BOARDGAMES TABLES

## BOARDROOM

### TABLETOP



| MODEL         | TABLETOPS |                    | TOP AND EDGE SPECIFICATIONS |  |                    |                                     |                                |                                     | BASES                        |            | LBS |
|---------------|-----------|--------------------|-----------------------------|--|--------------------|-------------------------------------|--------------------------------|-------------------------------------|------------------------------|------------|-----|
|               | Code      | Number of Sections | For Laminate Top            |  |                    | For Veneer Top                      |                                |                                     | Number of Bases Required     | Base width |     |
|               |           |                    | SE<br>PVF<br>2MM            | HF<br>HB<br>PKNR <sup>1</sup><br>PF <sup>1</sup> | HBV<br>HBVR<br>HBG | HF2<br>HB2<br>HKN4<br>HKNR4<br>HBG2 | HF<br>HB<br>HBV<br>HBVR<br>HBG | HF2<br>HB2<br>HKN4<br>HKNR4<br>HBG2 | BGDR<br>BGSQ<br>PLDR<br>PLSQ |            |     |
| <i>Square</i> |           |                    |                             |  |                    |                                     |                                |                                     |                              |            |     |
| 36 x 36       | 36SQ      | 1                  | 355                         | 551  | 604                | 790                                 | 796                            | 973                                 | 1                            | 22"        | 98  |
| 42 x 42       | 42SQ      | 1                  | 601                         | 886  | 973                | 1062                                | 1124                           | 1363                                | 1                            | 22"        | 112 |
| 48 x 48       | 48SQ      | 1                  | 736                         | 986  | 1080               | 1120                                | 1455                           | 1765                                | 1                            | 22"        | 128 |
| 54 x 54       | 54SQ      | 1                  | 866                         | 1418   | 1563               | 1730                                | 1821                           | 2225                                | 1                            | 22"        | 146 |
| 60 x 60       | 60SQ      | 1                  | 893                         | 1513   | 1665               | 1834                                | 2244                           | 2733                                | 1                            | 30"        | 165 |

<sup>1</sup> Exposed Baltic Birch plywood edge (PKNR, PF) can only be specified on tops up to 47-1/2" x 95-1/2". Clear finish only.



## BASES

| MODEL  | BASE SHAPES | FINISH             | BASE PRICE |          | LBS  |    |
|--------|-------------|--------------------|------------|----------|------|----|
|        |             |                    | 22" wide   | 30" wide |      |    |
| BGDR-L |             | BOARDGAME DRUM     | Laminate   | 1304     | 1826 | 75 |
| BGDR-V |             | Veneer             | 1461       | 2045     | 75   |    |
| BGSQ-L |             | BOARDGAME SQUARE   | Laminate   | 861      | 1205 | 70 |
| BGSQ-V |             | Veneer             | 1017       | 1424     | 70   |    |
| PLDR-L |             | PLINTH BASE DRUM   | Laminate   | 1304     | 1826 | 75 |
| PLDR-V |             | Veneer             | 1461       | 2045     | 75   |    |
| PLSQ-L |             | PLINTH BASE SQUARE | Laminate   | 861      | 1205 | 70 |
| PLSQ-V |             | Veneer             | 1017       | 1424     | 70   |    |



BGDR



BGSQ



PLSQ



PLDR



# BOARDGAMES TABLES

## BOARDROOM

### TABLETOP



| MODEL            | TABLETOPS |                    | TOP AND EDGE SPECIFICATIONS |  |                    |                                     |                                |                                     | BASES                    |                        | LBS |            |
|------------------|-----------|--------------------|-----------------------------|--|--------------------|-------------------------------------|--------------------------------|-------------------------------------|--------------------------|------------------------|-----|------------|
|                  | Code      | Number of Sections | For Laminate Top            |  |                    | For Veneer Top                      |                                |                                     | Number of Bases Required |                        |     | Base width |
|                  |           |                    | SE<br>PVF<br>2MM            | HF<br>HB<br>PKNR <sup>1</sup><br>PF <sup>1</sup> | HBV<br>HBVR<br>HBG | HF2<br>HB2<br>HKN4<br>HKNR4<br>HBG2 | HF<br>HB<br>HBV<br>HBVR<br>HBG | HF2<br>HB2<br>HKN4<br>HKNR4<br>HBG2 | BGEL<br>BGRE<br>BGHDR*   | BGDR<br>BGSQ<br>BGDDR* |     |            |
| <i>Rectangle</i> |           |                    |                             |  |                    |                                     |                                |                                     |                          |                        |     |            |
| 48 x 96          | 4896RE    | 1                  | 1252                        | 2054   | 2272               | 2490                                | 2819                           | 3446                                | 2                        | 2                      | 22" | 135        |
| 48 x 120         | 48120RE   | 2                  | 1550                        | 2588   | 2833               | 3362                                | 3441                           | 4174                                | 3                        | 2                      | 22" | 168        |
| 48 x 144         | 48144RE   | 2                  | 1899                        | 3385   | 3711               | 4213                                | 4093                           | 4980                                | 3                        | 3                      | 22" | 202        |
| 48 x 168         | 48168RE   | 2                  | 2344                        | 3841   | 4210               | 4915                                | 4752                           | 5780                                | 3                        | 3                      | 22" | 236        |
| 48 x 192         | 48192RE   | 2                  | 2630                        | 4578   | 5028               | 6030                                | 5687                           | 6917                                | 3                        | 3                      | 22" | 269        |
| 48 x 216         | 48216RE   | 2                  | 3173                        | 5103   | 5599               | 6664                                | 6340                           | 7726                                | 3                        | 3                      | 22" | 303        |
| 60 x 120         | 60120RE   | 2                  | 1977                        | 3530   | 3867               | 4389                                | 4266                           | 5189                                | 3                        | 2                      | 30" | 210        |
| 60 x 144         | 60144RE   | 2                  | 2374                        | 4235   | 4639               | 5268                                | 5119                           | 6222                                | 3                        | 3                      | 30" | 252        |
| 60 x 168         | 60168RE   | 2                  | 2773                        | 4941   | 5411               | 6144                                | 5971                           | 7258                                | 3                        | 3                      | 30" | 294        |
| 60 x 192         | 60192RE   | 2                  | 3326                        | 5927   | 6493               | 7375                                | 7166                           | 8710                                | 3                        | 3                      | 30" | 336        |
| 60 x 216         | 60216RE   | 2                  | 3741                        | 6670   | 7307               | 8295                                | 8060                           | 9801                                | 3                        | 3                      | 30" | 378        |

\*When specifying Half Drum (BGHDR) or D-Drum (BGDDR) bases where 3 bases are required, the middle base should be specified as a Rectangle base (BGRE).  
<sup>1</sup> Exposed Baltic Birch plywood edge (PKNR, PF) can only be specified on tops up to 47-1/2" x 95-1/2". Clear finish only.

## BASES

| MODEL   | BASE SHAPES | FINISH                | BASE PRICE            |          | LBS  |          |
|---------|-------------|-----------------------|-----------------------|----------|------|----------|
|         |             |                       | Aluminum or Wood Trim | 22" wide |      | 30" wide |
| BGDR-L  |             | BOARDGAME DRUM        | Laminate              | 1304     | 1826 | 75       |
| BGDR-V  |             |                       | Veneer                | 1461     | 2045 | 75       |
| BGRE-L  |             | BOARDGAME RECTANGLE   | Laminate              | 861      | 1205 | 70       |
| BGRE-V  |             |                       | Veneer                | 1017     | 1424 | 70       |
| BGSQ-L  |             | BOARDGAME SQUARE      | Laminate              | 861      | 1205 | 70       |
| BGSQ-V  |             |                       | Veneer                | 1017     | 1424 | 70       |
| BGEL-L  |             | BOARDGAME ELLIPSE     | Laminate              | 925      | -    | 65       |
| BGEL-V  |             |                       | Veneer                | 1081     | -    | 65       |
| BGDDR-L |             | BOARDGAME D-DRUM      | Laminate              | 1457     | 2040 | 85       |
| BGDDR-V |             |                       | Veneer                | 1614     | 2260 | 85       |
| BGHDR-L |             | BOARDGAME HALF DRUM   | Laminate              | 1051     | 1471 | 65       |
| BGHDR-V |             |                       | Veneer                | 1206     | 1688 | 65       |
| PLDR-L  |             | PLINTH BASE DRUM      | Laminate              | 1304     | 1826 | 75       |
| PLDR-V  |             |                       | Veneer                | 1461     | 2045 | 75       |
| PLSQ-L  |             | PLINTH BASE SQUARE    | Laminate              | 861      | 1205 | 70       |
| PLSQ-V  |             |                       | Veneer                | 1017     | 1424 | 70       |
| PLRE-L  |             | PLINTH BASE RECTANGLE | Laminate              | 861      | 1205 | 70       |
| PLRE-V  |             |                       | Veneer                | 1017     | 1424 | 70       |



For applicable Power & Data modules, please see Table Accessories Price List.



# BOARDGAMES TABLES BOARDROOM TABLETOP



| MODEL                     | TABLETOPS |                    | TOP AND EDGE SPECIFICATIONS |          |                    |                                     |                                |                                     | BASES                    |                        |            | LBS |
|---------------------------|-----------|--------------------|-----------------------------|----------|--------------------|-------------------------------------|--------------------------------|-------------------------------------|--------------------------|------------------------|------------|-----|
|                           | Code      | Number of Sections | For Laminate Top            |          |                    | For Veneer Top                      |                                |                                     | Number of Bases Required |                        | Base width |     |
|                           |           |                    | SE<br>PVF<br>2MM            | HF<br>HB | HBV<br>HBVR<br>HBG | HF2<br>HB2<br>HKN4<br>HKNR4<br>HBG2 | HF<br>HB<br>HBV<br>HBVR<br>HBG | HF2<br>HB2<br>HKN4<br>HKNR4<br>HBG2 | BGEL<br>BGRE<br>BGHDR*   | BGDR<br>BGSQ<br>BGDDR* |            |     |
| <i>Rectangle Arc Ends</i> |           |                    |                             |          |                    |                                     |                                |                                     |                          |                        |            |     |
| 48 x 96                   | 4896REA   | 1                  | 1269                        | 2180     | 2399               | 2932                                | 3306                           | 3977                                | 2                        | 2                      | 22"        | 135 |
| 48 x 120                  | 48120REA  | 2                  | 1574                        | 3013     | 3302               | 4036                                | 4006                           | 4789                                | 3                        | 2                      | 22"        | 168 |
| 48 x 144                  | 48144REA  | 2                  | 1927                        | 3720     | 4076               | 4984                                | 4774                           | 5723                                | 3                        | 3                      | 22"        | 202 |
| 48 x 168                  | 48168REA  | 2                  | 2374                        | 4324     | 4738               | 5747                                | 5550                           | 6652                                | 3                        | 3                      | 22"        | 236 |
| 48 x 192                  | 48192REA  | 2                  | 2539                        | 5089     | 5576               | 6549                                | 6811                           | 7582                                | 3                        | 3                      | 22"        | 269 |
| 48 x 216                  | 48216REA  | 2                  | 3173                        | 5704     | 6258               | 7463                                | 7760                           | 8511                                | 3                        | 3                      | 22"        | 303 |
| 60 x 120                  | 60120REA  | 2                  | 1969                        | 3767     | 4127               | 5047                                | 5007                           | 5987                                | 3                        | 2                      | 30"        | 210 |
| 60 x 144                  | 60144REA  | 2                  | 2409                        | 4650     | 5094               | 6234                                | 5968                           | 7153                                | 3                        | 3                      | 30"        | 252 |
| 60 x 168                  | 60168REA  | 2                  | 2968                        | 5407     | 5924               | 7183                                | 6939                           | 8313                                | 3                        | 3                      | 30"        | 294 |
| 60 x 192                  | 60192REA  | 2                  | 3561                        | 6490     | 7108               | 8620                                | 8966                           | 9978                                | 3                        | 3                      | 30"        | 336 |
| 60 x 216                  | 60216REA  | 2                  | 4007                        | 7299     | 7997               | 9697                                | 10087                          | 11225                               | 3                        | 3                      | 30"        | 378 |

\*When specifying Half Drum (BGHDR) or D-Drum (BGDDR) bases where 3 bases are required, the middle base should be specified as a Rectangle base (BGRE).

## BASES

| MODEL   | BASE SHAPES | FINISH                | BASE PRICE            |          | LBS  |          |
|---------|-------------|-----------------------|-----------------------|----------|------|----------|
|         |             |                       | Aluminum or Wood Trim | 22" wide |      | 30" wide |
| BGDR-L  |             | BOARDGAME DRUM        | Laminate              | 1304     | 1826 | 75       |
| BGDR-V  |             |                       | Veneer                | 1461     | 2045 | 75       |
| BGRE-L  |             | BOARDGAME RECTANGLE   | Laminate              | 861      | 1205 | 70       |
| BGRE-V  |             |                       | Veneer                | 1017     | 1424 | 70       |
| BGSQ-L  |             | BOARDGAME SQUARE      | Laminate              | 861      | 1205 | 70       |
| BGSQ-V  |             |                       | Veneer                | 1017     | 1424 | 70       |
| BGEL-L  |             | BOARDGAME ELLIPSE     | Laminate              | 925      | -    | 65       |
| BGEL-V  |             |                       | Veneer                | 1081     | -    | 65       |
| BGDDR-L |             | BOARDGAME D-DRUM      | Laminate              | 1457     | 2040 | 85       |
| BGDDR-V |             |                       | Veneer                | 1614     | 2260 | 85       |
| BGHDR-L |             | BOARDGAME HALF DRUM   | Laminate              | 1051     | 1471 | 65       |
| BGHDR-V |             |                       | Veneer                | 1206     | 1688 | 65       |
| PLDR-L  |             | PLINTH BASE DRUM      | Laminate              | 1304     | 1826 | 75       |
| PLDR-V  |             |                       | Veneer                | 1461     | 2045 | 75       |
| PLSQ-L  |             | PLINTH BASE SQUARE    | Laminate              | 861      | 1205 | 70       |
| PLSQ-V  |             |                       | Veneer                | 1017     | 1424 | 70       |
| PLRE-L  |             | PLINTH BASE RECTANGLE | Laminate              | 861      | 1205 | 70       |
| PLRE-V  |             |                       | Veneer                | 1017     | 1424 | 70       |



For applicable Power & Data modules, please see Table Accessories Price List.



# BOARDGAMES TABLES

## BOARDROOM

### TABLETOP



| MODEL            | TABLETOPS |                    | TOP AND EDGE SPECIFICATIONS |          |                    |                                     |                                |                                     | BASES                    |                        | LBS |            |
|------------------|-----------|--------------------|-----------------------------|----------|--------------------|-------------------------------------|--------------------------------|-------------------------------------|--------------------------|------------------------|-----|------------|
|                  | Code      | Number of Sections | For Laminate Top            |          |                    | For Veneer Top                      |                                |                                     | Number of Bases Required |                        |     | Base width |
|                  |           |                    | SE<br>PVF<br>2MM            | HF<br>HB | HBV<br>HBVR<br>HBG | HF2<br>HB2<br>HKN4<br>HKNR4<br>HBG2 | HF<br>HB<br>HBV<br>HBVR<br>HBG | HF2<br>HB2<br>HKN4<br>HKNR4<br>HBG2 | BGEL<br>BGRE<br>BGHDR*   | BGDR<br>BGSQ<br>BGDDR* |     |            |
| <i>Racetrack</i> |           |                    |                             |          |                    |                                     |                                |                                     |                          |                        |     |            |
| 48 x 96          | 4896RT    | 1                  | 1269                        | 2180     | 2399               | 2932                                | 3306                           | 3977                                | 2                        | 2                      | 22" | 135        |
| 48 x 120         | 48120RT   | 2                  | 1574                        | 3013     | 3302               | 4036                                | 4006                           | 4789                                | 3                        | 2                      | 22" | 168        |
| 48 x 144         | 48144RT   | 2                  | 1927                        | 3720     | 4076               | 4984                                | 4774                           | 5723                                | 3                        | 3                      | 22" | 202        |
| 48 x 168         | 48168RT   | 2                  | 2374                        | 4324     | 4738               | 5747                                | 5550                           | 6652                                | 3                        | 3                      | 22" | 236        |
| 48 x 192         | 48192RT   | 2                  | 2539                        | 5089     | 5576               | 6549                                | 6811                           | 7582                                | 3                        | 3                      | 22" | 269        |
| 48 x 216         | 48216RT   | 2                  | 3173                        | 5704     | 6258               | 7463                                | 7760                           | 8511                                | 3                        | 3                      | 22" | 303        |
| 60 x 120         | 60120RT   | 2                  | 1969                        | 3767     | 4127               | 5047                                | 5007                           | 5987                                | 3                        | 2                      | 30" | 210        |
| 60 x 144         | 60144RT   | 2                  | 2409                        | 4650     | 5094               | 6234                                | 5968                           | 7153                                | 3                        | 3                      | 30" | 252        |
| 60 x 168         | 60168RT   | 2                  | 2968                        | 5407     | 5924               | 7183                                | 6939                           | 8313                                | 3                        | 3                      | 30" | 294        |
| 60 x 192         | 60192RT   | 2                  | 3561                        | 6490     | 7108               | 8620                                | 8966                           | 9978                                | 3                        | 3                      | 30" | 336        |
| 60 x 216         | 60216RT   | 2                  | 4007                        | 7299     | 7997               | 9697                                | 10087                          | 11225                               | 3                        | 3                      | 30" | 378        |

\*When specifying Half Drum (BGHDR) or D-Drum (BGDDR) bases where 3 bases are required, the middle base should be specified as a Rectangle base (BGRE).

## BASES

| MODEL   | BASE SHAPES | FINISH                | BASE PRICE            |          | LBS  |          |
|---------|-------------|-----------------------|-----------------------|----------|------|----------|
|         |             |                       | Aluminum or Wood Trim | 22" wide |      | 30" wide |
| BGDR-L  |             | BOARDGAME DRUM        | Laminate              | 1304     | 1826 | 75       |
| BGDR-V  |             |                       | Veneer                | 1461     | 2045 | 75       |
| BGRE-L  |             | BOARDGAME RECTANGLE   | Laminate              | 861      | 1205 | 70       |
| BGRE-V  |             |                       | Veneer                | 1017     | 1424 | 70       |
| BGSQ-L  |             | BOARDGAME SQUARE      | Laminate              | 861      | 1205 | 70       |
| BGSQ-V  |             |                       | Veneer                | 1017     | 1424 | 70       |
| BGEL-L  |             | BOARDGAME ELLIPSE     | Laminate              | 925      | -    | 65       |
| BGEL-V  |             |                       | Veneer                | 1081     | -    | 65       |
| BGDDR-L |             | BOARDGAME D-DRUM      | Laminate              | 1457     | 2040 | 85       |
| BGDDR-V |             |                       | Veneer                | 1614     | 2260 | 85       |
| BGHDR-L |             | BOARDGAME HALF DRUM   | Laminate              | 1051     | 1471 | 65       |
| BGHDR-V |             |                       | Veneer                | 1206     | 1688 | 65       |
| PLDR-L  |             | PLINTH BASE DRUM      | Laminate              | 1304     | 1826 | 75       |
| PLDR-V  |             |                       | Veneer                | 1461     | 2045 | 75       |
| PLSQ-L  |             | PLINTH BASE SQUARE    | Laminate              | 861      | 1205 | 70       |
| PLSQ-V  |             |                       | Veneer                | 1017     | 1424 | 70       |
| PLRE-L  |             | PLINTH BASE RECTANGLE | Laminate              | 861      | 1205 | 70       |
| PLRE-V  |             |                       | Veneer                | 1017     | 1424 | 70       |



For applicable Power & Data modules, please see Table Accessories Price List.





# BOARDGAMES TABLES

## BOARDROOM

### TABLETOP



| MODEL            | TABLETOPS |                    | TOP AND EDGE SPECIFICATIONS |          |                    |                                     |                                |                                     | BASES                    |  | LBS |            |
|------------------|-----------|--------------------|-----------------------------|----------|--------------------|-------------------------------------|--------------------------------|-------------------------------------|--------------------------|--|-----|------------|
|                  | Code      | Number of Sections | For Laminate Top            |          |                    | For Veneer Top                      |                                |                                     | Number of Bases Required |  |     | Base width |
|                  |           |                    | SE<br>PVF<br>2MM            | HF<br>HB | HBV<br>HBVR<br>HBG | HF2<br>HB2<br>HKN4<br>HKNR4<br>HBG2 | HF<br>HB<br>HBV<br>HBVR<br>HBG | HF2<br>HB2<br>HKN4<br>HKNR4<br>HBG2 | BGEL<br>BGRE<br>BGHDR*   | BGDR<br>BGSQ<br>BGDDR*<br>PLDR<br>PLSQ |     |            |
| <i>Boatshape</i> |           |                    |                             |          |                    |                                     |                                |                                     |                          |  |     |            |
| 48 x 96          | 4896BT    | 1                  | 1269                        | 2794     | 3080               | 3375                                | 3789                           | 4155                                | 2                        | 2                                      | 22" | 135        |
| 48 x 120         | 48120BT   | 2                  | 1574                        | 3692     | 4047               | 4418                                | 4576                           | 4997                                | 3                        | 2                                      | 22" | 168        |
| 48 x 144         | 48144BT   | 2                  | 1927                        | 4398     | 4820               | 5268                                | 5831                           | 6212                                | 3                        | 3                                      | 22" | 202        |
| 48 x 168         | 48168BT   | 2                  | 2374                        | 5076     | 5565               | 6081                                | 6343                           | 6938                                | 3                        | 3                                      | 22" | 236        |
| 48 x 192         | 48192BT   | 2                  | 2539                        | 5852     | 6417               | 7533                                | 7834                           | 8719                                | 3                        | 3                                      | 22" | 269        |
| 48 x 216         | 48216BT   | 2                  | 3173                        | 6558     | 7196               | 8581                                | 8924                           | 9787                                | 3                        | 3                                      | 22" | 303        |
| 60 x 120         | 60120BT   | 2                  | 1969                        | 4614     | 5059               | 5521                                | 5723                           | 6246                                | 3                        | 2                                      | 30" | 210        |
| 60 x 144         | 60144BT   | 2                  | 2409                        | 5500     | 6026               | 6583                                | 7286                           | 7767                                | 3                        | 3                                      | 30" | 252        |
| 60 x 168         | 60168BT   | 2                  | 2968                        | 6345     | 6956               | 7601                                | 7929                           | 8673                                | 3                        | 3                                      | 30" | 294        |
| 60 x 192         | 60192BT   | 2                  | 3561                        | 7614     | 8348               | 9121                                | 9512                           | 10404                               | 3                        | 3                                      | 30" | 336        |
| 60 x 216         | 60216BT   | 2                  | 4007                        | 8568     | 9391               | 10263                               | 10703                          | 11705                               | 3                        | 3                                      | 30" | 378        |

\*When specifying Half Drum (BGHDR) or D-Drum (BGDDR) bases where 3 bases are required, the middle base should be specified as a Rectangle base (BGRE).

## BASES

| MODEL   | BASE SHAPES | FINISH                | BASE PRICE            |          | LBS  |          |
|---------|-------------|-----------------------|-----------------------|----------|------|----------|
|         |             |                       | Aluminum or Wood Trim | 22" wide |      | 30" wide |
| BGDR-L  |             | BOARDGAME DRUM        | Laminate              | 1304     | 1826 | 75       |
| BGDR-V  |             |                       | Veneer                | 1461     | 2045 | 75       |
| BGRE-L  |             | BOARDGAME RECTANGLE   | Laminate              | 861      | 1205 | 70       |
| BGRE-V  |             |                       | Veneer                | 1017     | 1424 | 70       |
| BGSQ-L  |             | BOARDGAME SQUARE      | Laminate              | 861      | 1205 | 70       |
| BGSQ-V  |             |                       | Veneer                | 1017     | 1424 | 70       |
| BGEL-L  |             | BOARDGAME ELLIPSE     | Laminate              | 925      | -    | 65       |
| BGEL-V  |             |                       | Veneer                | 1081     | -    | 65       |
| BGDDR-L |             | BOARDGAME D-DRUM      | Laminate              | 1457     | 2040 | 85       |
| BGDDR-V |             |                       | Veneer                | 1614     | 2260 | 85       |
| BGHDR-L |             | BOARDGAME HALF DRUM   | Laminate              | 1051     | 1471 | 65       |
| BGHDR-V |             |                       | Veneer                | 1206     | 1688 | 65       |
| PLDR-L  |             | PLINTH BASE DRUM      | Laminate              | 1304     | 1826 | 75       |
| PLDR-V  |             |                       | Veneer                | 1461     | 2045 | 75       |
| PLSQ-L  |             | PLINTH BASE SQUARE    | Laminate              | 861      | 1205 | 70       |
| PLSQ-V  |             |                       | Veneer                | 1017     | 1424 | 70       |
| PLRE-L  |             | PLINTH BASE RECTANGLE | Laminate              | 861      | 1205 | 70       |
| PLRE-V  |             |                       | Veneer                | 1017     | 1424 | 70       |



For applicable Power & Data modules, please see Table Accessories Price List.



# BOARDGAMES TABLES

## BOARDROOM

### TABLETOP



| MODEL                     | TABLETOPS |                    | TOP AND EDGE SPECIFICATIONS |          |                    |                                     |                                |                                     | BASES                    |                        |              | LBS |
|---------------------------|-----------|--------------------|-----------------------------|----------|--------------------|-------------------------------------|--------------------------------|-------------------------------------|--------------------------|------------------------|--------------|-----|
|                           | Code      | Number of Sections | For Laminate Top            |          |                    | For Veneer Top                      |                                |                                     | Number of Bases Required |                        | Base width   |     |
|                           |           |                    | SE<br>PVF<br>2MM            | HF<br>HB | HBV<br>HBVR<br>HBG | HF2<br>HB2<br>HKN4<br>HKNR4<br>HBG2 | HF<br>HB<br>HBV<br>HBVR<br>HBG | HF2<br>HB2<br>HKN4<br>HKNR4<br>HBG2 | BGEL<br>BGRE<br>BGHDR*   | BGDR<br>BGSQ<br>BGDDR* | PLDR<br>PLSQ |     |
| <i>Boatshape Arc Ends</i> |           |                    |                             |          |                    |                                     |                                |                                     |                          |                        |              |     |
| 48 x 96                   | 4896BTA   | 1                  | 1426                        | 3287     | 3570               | 3865                                | 4276                           | 4645                                | 2                        | 2                      | 22"          | 135 |
| 48 x 120                  | 48120BTA  | 2                  | 1728                        | 4183     | 4535               | 4906                                | 5064                           | 5486                                | 3                        | 2                      | 22"          | 168 |
| 48 x 144                  | 48144BTA  | 2                  | 2082                        | 4888     | 5309               | 5754                                | 6318                           | 6702                                | 3                        | 3                      | 22"          | 202 |
| 48 x 168                  | 48168BTA  | 2                  | 2531                        | 5565     | 6053               | 6570                                | 6832                           | 7428                                | 3                        | 3                      | 22"          | 236 |
| 48 x 192                  | 48192BTA  | 2                  | 2791                        | 6436     | 7056               | 8285                                | 8617                           | 9592                                | 3                        | 3                      | 22"          | 269 |
| 48 x 216                  | 48216BTA  | 2                  | 3490                        | 7217     | 7916               | 9440                                | 9818                           | 10765                               | 3                        | 3                      | 22"          | 303 |
| 60 x 120                  | 60120BTA  | 2                  | 2162                        | 5227     | 5668               | 6134                                | 6329                           | 6856                                | 3                        | 2                      | 30"          | 210 |
| 60 x 144                  | 60144BTA  | 2                  | 2602                        | 6110     | 6637               | 7196                                | 7897                           | 8376                                | 3                        | 3                      | 30"          | 252 |
| 60 x 168                  | 60168BTA  | 2                  | 3164                        | 6956     | 7567               | 8211                                | 8538                           | 9282                                | 3                        | 3                      | 30"          | 294 |
| 60 x 192                  | 60192BTA  | 2                  | 3794                        | 8348     | 9081               | 9850                                | 10246                          | 11138                               | 3                        | 3                      | 30"          | 336 |
| 60 x 216                  | 60216BTA  | 2                  | 4270                        | 9391     | 10216              | 11085                               | 11526                          | 12531                               | 3                        | 3                      | 30"          | 378 |

\*When specifying Half Drum (BGHDR) or D-Drum (BGDDR) bases where 3 bases are required, the middle base should be specified as a Rectangle base (BGRE).

## BASES

| MODEL   | BASE SHAPES | FINISH                | BASE PRICE            |          | LBS  |          |
|---------|-------------|-----------------------|-----------------------|----------|------|----------|
|         |             |                       | Aluminum or Wood Trim | 22" wide |      | 30" wide |
| BGDR-L  |             | BOARDGAME DRUM        | Laminate              | 1304     | 1826 | 75       |
| BGDR-V  |             |                       | Veneer                | 1461     | 2045 | 75       |
| BGRE-L  |             | BOARDGAME RECTANGLE   | Laminate              | 861      | 1205 | 70       |
| BGRE-V  |             |                       | Veneer                | 1017     | 1424 | 70       |
| BGSQ-L  |             | BOARDGAME SQUARE      | Laminate              | 861      | 1205 | 70       |
| BGSQ-V  |             |                       | Veneer                | 1017     | 1424 | 70       |
| BGEL-L  |             | BOARDGAME ELLIPSE     | Laminate              | 925      | -    | 65       |
| BGEL-V  |             |                       | Veneer                | 1081     | -    | 65       |
| BGDDR-L |             | BOARDGAME D-DRUM      | Laminate              | 1457     | 2040 | 85       |
| BGDDR-V |             |                       | Veneer                | 1614     | 2260 | 85       |
| BGHDR-L |             | BOARDGAME HALF DRUM   | Laminate              | 1051     | 1471 | 65       |
| BGHDR-V |             |                       | Veneer                | 1206     | 1688 | 65       |
| PLDR-L  |             | PLINTH BASE DRUM      | Laminate              | 1304     | 1826 | 75       |
| PLDR-V  |             |                       | Veneer                | 1461     | 2045 | 75       |
| PLSQ-L  |             | PLINTH BASE SQUARE    | Laminate              | 861      | 1205 | 70       |
| PLSQ-V  |             |                       | Veneer                | 1017     | 1424 | 70       |
| PLRE-L  |             | PLINTH BASE RECTANGLE | Laminate              | 861      | 1205 | 70       |
| PLRE-V  |             |                       | Veneer                | 1017     | 1424 | 70       |



For applicable Power & Data modules, please see Table Accessories Price List.



# BOARDGAMES TABLES BOARDROOM TABLETOP



| MODEL          | TABLETOPS |                    | TOP AND EDGE SPECIFICATIONS |          |                    |                                     |                                |                                     | BASES                    |                        |            | LBS |
|----------------|-----------|--------------------|-----------------------------|----------|--------------------|-------------------------------------|--------------------------------|-------------------------------------|--------------------------|------------------------|------------|-----|
|                | Code      | Number of Sections | For Laminate Top            |          |                    | For Veneer Top                      |                                |                                     | Number of Bases Required |                        | Base width |     |
|                |           |                    | SE<br>PVF<br>2MM            | HF<br>HB | HBV<br>HBVR<br>HBG | HF2<br>HB2<br>HKN4<br>HKNR4<br>HBG2 | HF<br>HB<br>HBV<br>HBVR<br>HBG | HF2<br>HB2<br>HKN4<br>HKNR4<br>HBG2 | BGEL<br>BGRE<br>BGHDR*   | BGDR<br>BGSQ<br>BGDDR* |            |     |
| <i>Ellipse</i> |           |                    |                             |          |                    |                                     |                                |                                     |                          |                        |            |     |
| 48 x 96        | 4896EL    | 1                  | 1525                        | 3355     | 3698               | 4051                                | 4546                           | 4985                                | 2                        | 2                      | 22"        | 135 |
| 48 x 120       | 48120EL   | 2                  | 1889                        | 4430     | 4856               | 5300                                | 5493                           | 5995                                | 3                        | 2                      | 22"        | 168 |
| 48 x 144       | 48144EL   | 2                  | 2311                        | 5279     | 5784               | 6321                                | 6995                           | 7457                                | 3                        | 3                      | 22"        | 202 |
| 48 x 168       | 48168EL   | 2                  | 2850                        | 6090     | 6678               | 7295                                | 7588                           | 8326                                | 3                        | 3                      | 22"        | 236 |
| 48 x 192       | 48192EL   | 2                  | 3072                        | 7081     | 7763               | 9111                                | 9479                           | 10550                               | 3                        | 3                      | 22"        | 269 |
| 48 x 216       | 48216EL   | 2                  | 3840                        | 7938     | 8706               | 10385                               | 10800                          | 11841                               | 3                        | 3                      | 22"        | 303 |
| 60 x 120       | 60120EL   | 2                  | 2488                        | 6013     | 6518               | 7053                                | 7280                           | 7883                                | 3                        | 2                      | 30"        | 210 |
| 60 x 144       | 60144EL   | 2                  | 2993                        | 7026     | 7633               | 8275                                | 9081                           | 9631                                | 3                        | 3                      | 30"        | 252 |
| 60 x 168       | 60168EL   | 2                  | 3638                        | 7999     | 8701               | 9441                                | 9819                           | 10675                               | 3                        | 3                      | 30"        | 294 |
| 60 x 192       | 60192EL   | 2                  | 4365                        | 9598     | 10443              | 11330                               | 11782                          | 12811                               | 3                        | 3                      | 30"        | 336 |
| 60 x 216       | 60216EL   | 2                  | 4911                        | 10799    | 11748              | 12746                               | 13255                          | 14412                               | 3                        | 3                      | 30"        | 378 |

\*When specifying Half Drum (BGHDR) or D-Drum (BGDDR) bases where 3 bases are required, the middle base should be specified as a Rectangle base (BGRE).

## BASES

| MODEL   | BASE SHAPES | FINISH                | BASE PRICE            |          | LBS  |          |
|---------|-------------|-----------------------|-----------------------|----------|------|----------|
|         |             |                       | Aluminum or Wood Trim | 22" wide |      | 30" wide |
| BGDR-L  |             | BOARDGAME DRUM        | Laminate              | 1304     | 1826 | 75       |
| BGDR-V  |             |                       | Veneer                | 1461     | 2045 | 75       |
| BGRE-L  |             | BOARDGAME RECTANGLE   | Laminate              | 861      | 1205 | 70       |
| BGRE-V  |             |                       | Veneer                | 1017     | 1424 | 70       |
| BGSQ-L  |             | BOARDGAME SQUARE      | Laminate              | 861      | 1205 | 70       |
| BGSQ-V  |             |                       | Veneer                | 1017     | 1424 | 70       |
| BGEL-L  |             | BOARDGAME ELLIPSE     | Laminate              | 925      | -    | 65       |
| BGEL-V  |             |                       | Veneer                | 1081     | -    | 65       |
| BGDDR-L |             | BOARDGAME D-DRUM      | Laminate              | 1457     | 2040 | 85       |
| BGDDR-V |             |                       | Veneer                | 1614     | 2260 | 85       |
| BGHDR-L |             | BOARDGAME HALF DRUM   | Laminate              | 1051     | 1471 | 65       |
| BGHDR-V |             |                       | Veneer                | 1206     | 1688 | 65       |
| PLDR-L  |             | PLINTH BASE DRUM      | Laminate              | 1304     | 1826 | 75       |
| PLDR-V  |             |                       | Veneer                | 1461     | 2045 | 75       |
| PLSQ-L  |             | PLINTH BASE SQUARE    | Laminate              | 861      | 1205 | 70       |
| PLSQ-V  |             |                       | Veneer                | 1017     | 1424 | 70       |
| PLRE-L  |             | PLINTH BASE RECTANGLE | Laminate              | 861      | 1205 | 70       |
| PLRE-V  |             |                       | Veneer                | 1017     | 1424 | 70       |



For applicable Power & Data modules, please see Table Accessories Price List.



# BOARDGAMES TABLES

## BOARDROOM

### TABLETOP



| MODEL                   | TABLETOPS |                    | TOP AND EDGE SPECIFICATIONS |          |                    |                                     |                                |                                     | BASES                    |                        |            | LBS |
|-------------------------|-----------|--------------------|-----------------------------|----------|--------------------|-------------------------------------|--------------------------------|-------------------------------------|--------------------------|------------------------|------------|-----|
|                         | Code      | Number of Sections | For Laminate Top            |          |                    | For Veneer Top                      |                                |                                     | Number of Bases Required |                        | Base width |     |
|                         |           |                    | SE<br>PVF<br>2MM            | HF<br>HB | HBV<br>HBVR<br>HBG | HF2<br>HB2<br>HKN4<br>HKNR4<br>HBG2 | HF<br>HB<br>HBV<br>HBVR<br>HBG | HF2<br>HB2<br>HKN4<br>HKNR4<br>HBG2 | BGEL<br>BGRE<br>BGHDR*   | BGDR<br>BGSQ<br>BGDDR* |            |     |
| <i>Video Conference</i> |           |                    |                             |          |                    |                                     |                                |                                     |                          |                        |            |     |
| 48 x 96                 | 4896VC    | 1                  | 1269                        | 2794     | 3080               | 3375                                | 3789                           | 4155                                | 2                        | 2                      | 22"        | 135 |
| 48 x 120                | 48120VC   | 2                  | 1574                        | 3692     | 4047               | 4418                                | 4576                           | 4997                                | 3                        | 2                      | 22"        | 168 |
| 48 x 144                | 48144VC   | 2                  | 1927                        | 4398     | 4820               | 5268                                | 5831                           | 6212                                | 3                        | 3                      | 22"        | 202 |
| 48 x 168                | 48168VC   | 2                  | 2374                        | 5076     | 5565               | 6081                                | 6323                           | 6938                                | 3                        | 3                      | 22"        | 236 |
| 48 x 192                | 48192VC   | 2                  | 2539                        | 5852     | 6417               | 7533                                | 7834                           | 8719                                | 3                        | 3                      | 22"        | 269 |
| 48 x 216                | 48216VC   | 2                  | 3173                        | 6558     | 7196               | 8581                                | 8924                           | 9787                                | 3                        | 3                      | 22"        | 303 |
| 60 x 120                | 60120VC   | 2                  | 1969                        | 4614     | 5059               | 5521                                | 5723                           | 6246                                | 3                        | 2                      | 30"        | 210 |
| 60 x 144                | 60144VC   | 2                  | 2409                        | 5500     | 6026               | 6583                                | 7286                           | 7767                                | 3                        | 3                      | 30"        | 252 |
| 60 x 168                | 60168VC   | 2                  | 2968                        | 6345     | 6956               | 7601                                | 7929                           | 8673                                | 3                        | 3                      | 30"        | 294 |
| 60 x 192                | 60192VC   | 2                  | 3561                        | 7614     | 8348               | 9121                                | 9512                           | 10404                               | 3                        | 3                      | 30"        | 336 |
| 60 x 216                | 60216VC   | 2                  | 4007                        | 8568     | 9391               | 10263                               | 10703                          | 11705                               | 3                        | 3                      | 30"        | 378 |

\*When specifying Half Drum (BGHDR) or D-Drum (BGDDR) bases where 3 bases are required, the middle base should be specified as a Rectangle base (BGRE).

## BASES

| MODEL   | BASE SHAPES | FINISH                | BASE PRICE            |          | LBS  |          |
|---------|-------------|-----------------------|-----------------------|----------|------|----------|
|         |             |                       | Aluminum or Wood Trim | 22" wide |      | 30" wide |
| BGDR-L  |             | BOARDGAME DRUM        | Laminate              | 1304     | 1826 | 75       |
| BGDR-V  |             |                       | Veneer                | 1461     | 2045 | 75       |
| BGRE-L  |             | BOARDGAME RECTANGLE   | Laminate              | 861      | 1205 | 70       |
| BGRE-V  |             |                       | Veneer                | 1017     | 1424 | 70       |
| BGSQ-L  |             | BOARDGAME SQUARE      | Laminate              | 861      | 1205 | 70       |
| BGSQ-V  |             |                       | Veneer                | 1017     | 1424 | 70       |
| BGEL-L  |             | BOARDGAME ELLIPSE     | Laminate              | 925      | -    | 65       |
| BGEL-V  |             |                       | Veneer                | 1081     | -    | 65       |
| BGDDR-L |             | BOARDGAME D-DRUM      | Laminate              | 1457     | 2040 | 85       |
| BGDDR-V |             |                       | Veneer                | 1614     | 2260 | 85       |
| BGHDR-L |             | BOARDGAME HALF DRUM   | Laminate              | 1051     | 1471 | 65       |
| BGHDR-V |             |                       | Veneer                | 1206     | 1688 | 65       |
| PLDR-L  |             | PLINTH BASE DRUM      | Laminate              | 1304     | 1826 | 75       |
| PLDR-V  |             |                       | Veneer                | 1461     | 2045 | 75       |
| PLSQ-L  |             | PLINTH BASE SQUARE    | Laminate              | 861      | 1205 | 70       |
| PLSQ-V  |             |                       | Veneer                | 1017     | 1424 | 70       |
| PLRE-L  |             | PLINTH BASE RECTANGLE | Laminate              | 861      | 1205 | 70       |
| PLRE-V  |             |                       | Veneer                | 1017     | 1424 | 70       |



For applicable Power & Data modules, please see Table Accessories Price List.



# BOARDGAMES TABLES

## BOARDROOM

### TABLETOP



| MODEL                            | TABLETOPS |                    | TOP AND EDGE SPECIFICATIONS |          |                    |                                     |                                |                                     | BASES                    |                        |            | LBS |
|----------------------------------|-----------|--------------------|-----------------------------|----------|--------------------|-------------------------------------|--------------------------------|-------------------------------------|--------------------------|------------------------|------------|-----|
|                                  | Code      | Number of Sections | For Laminate Top            |          |                    | For Veneer Top                      |                                |                                     | Number of Bases Required |                        | Base width |     |
|                                  |           |                    | SE<br>PVF<br>2MM            | HF<br>HB | HBV<br>HBVR<br>HBG | HF2<br>HB2<br>HKN4<br>HKNR4<br>HBG2 | HF<br>HB<br>HBV<br>HBVR<br>HBG | HF2<br>HB2<br>HKN4<br>HKNR4<br>HBG2 | BGEL<br>BGRE<br>BGHDR*   | BGDR<br>BGSQ<br>BGDDR* |            |     |
| <i>Video Conference Arc Ends</i> |           |                    |                             |          |                    |                                     |                                |                                     |                          |                        |            |     |
| 48 x 96                          | 4896VCA   | 1                  | 1426                        | 3287     | 3570               | 3865                                | 4276                           | 4645                                | 2                        | 2                      | 22"        | 135 |
| 48 x 120                         | 48120VCA  | 2                  | 1728                        | 4183     | 4535               | 4906                                | 5064                           | 5486                                | 3                        | 2                      | 22"        | 168 |
| 48 x 144                         | 48144VCA  | 2                  | 2082                        | 4888     | 5309               | 5754                                | 6318                           | 6702                                | 3                        | 3                      | 22"        | 202 |
| 48 x 168                         | 48168VCA  | 2                  | 2531                        | 5565     | 6053               | 6570                                | 6832                           | 7428                                | 3                        | 3                      | 22"        | 236 |
| 48 x 192                         | 48192VCA  | 2                  | 2791                        | 6436     | 7056               | 8285                                | 8617                           | 9592                                | 3                        | 3                      | 22"        | 269 |
| 48 x 216                         | 48216VCA  | 2                  | 3490                        | 7217     | 7916               | 9440                                | 9818                           | 10765                               | 3                        | 3                      | 22"        | 303 |
| 60 x 120                         | 60120VCA  | 2                  | 2162                        | 5227     | 5668               | 6134                                | 6329                           | 6856                                | 3                        | 2                      | 30"        | 210 |
| 60 x 144                         | 60144VCA  | 2                  | 2602                        | 6110     | 6637               | 7196                                | 7897                           | 8376                                | 3                        | 3                      | 30"        | 252 |
| 60 x 168                         | 60168VCA  | 2                  | 3164                        | 6956     | 7567               | 8211                                | 8538                           | 9282                                | 3                        | 3                      | 30"        | 294 |
| 60 x 192                         | 60192VCA  | 2                  | 3794                        | 8348     | 9081               | 9850                                | 10246                          | 11138                               | 3                        | 3                      | 30"        | 336 |
| 60 x 216                         | 60216VCA  | 2                  | 4270                        | 9391     | 10216              | 11085                               | 11526                          | 12531                               | 3                        | 3                      | 30"        | 378 |

\*When specifying Half Drum (BGHDR) or D-Drum (BGDDR) bases where 3 bases are required, the middle base should be specified as a Rectangle base (BGRE).

## BASES

| MODEL   | BASE SHAPES |                       | FINISH   | BASE PRICE            |          | LBS  |          |
|---------|-------------|-----------------------|----------|-----------------------|----------|------|----------|
|         |             |                       |          | Aluminum or Wood Trim | 22" wide |      | 30" wide |
| BGDR-L  |             | BOARDGAME DRUM        | Laminate |                       | 1304     | 1826 | 75       |
| BGDR-V  |             |                       | Veneer   |                       | 1461     | 2045 | 75       |
| BGRE-L  |             | BOARDGAME RECTANGLE   | Laminate |                       | 861      | 1205 | 70       |
| BGRE-V  |             |                       | Veneer   |                       | 1017     | 1424 | 70       |
| BGSQ-L  |             | BOARDGAME SQUARE      | Laminate |                       | 861      | 1205 | 70       |
| BGSQ-V  |             |                       | Veneer   |                       | 1017     | 1424 | 70       |
| BGEL-L  |             | BOARDGAME ELLIPSE     | Laminate |                       | 925      | -    | 65       |
| BGEL-V  |             |                       | Veneer   |                       | 1081     | -    | 65       |
| BGDDR-L |             | BOARDGAME D-DRUM      | Laminate |                       | 1457     | 2040 | 85       |
| BGDDR-V |             |                       | Veneer   |                       | 1614     | 2260 | 85       |
| BGHDR-L |             | BOARDGAME HALF DRUM   | Laminate |                       | 1051     | 1471 | 65       |
| BGHDR-V |             |                       | Veneer   |                       | 1206     | 1688 | 65       |
| PLDR-L  |             | PLINTH BASE DRUM      | Laminate |                       | 1304     | 1826 | 75       |
| PLDR-V  |             |                       | Veneer   |                       | 1461     | 2045 | 75       |
| PLSQ-L  |             | PLINTH BASE SQUARE    | Laminate |                       | 861      | 1205 | 70       |
| PLSQ-V  |             |                       | Veneer   |                       | 1017     | 1424 | 70       |
| PLRE-L  |             | PLINTH BASE RECTANGLE | Laminate |                       | 861      | 1205 | 70       |
| PLRE-V  |             |                       | Veneer   |                       | 1017     | 1424 | 70       |

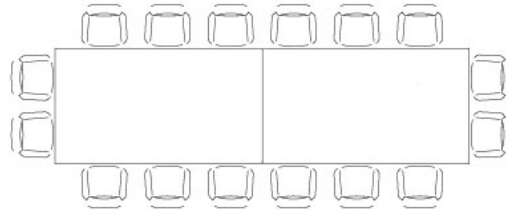


For applicable Power & Data modules, please see Table Accessories Price List.

# BOARDGAMES TABLES

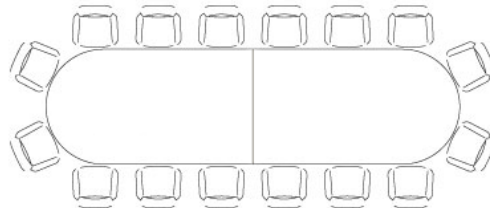
## TABLETOP SECTIONS AND SEATING LAYOUTS

| RECTANGLE           |                                    |  |
|---------------------|------------------------------------|--|
| <i>Size / Shape</i> | <i>Number of Tabletop Sections</i> | <i>Number of Chairs (based on 25" wide chairs)</i> |
| 48 x 96RE           | 1                                  | 8  |
| 48 x 120RE          | 2                                  | 10   |
| 48 x 144RE          | 2                                  | 10   |
| 48 x 168RE          | 2                                  | 12   |
| 48 x 192RE          | 2                                  | 14   |
| 48 x 216RE          | 2                                  | 14   |
| 60 x 120RE          | 2                                  | 10   |
| 60 x 144RE          | 2                                  | 12   |
| 60 x 168RE          | 2                                  | 12   |
| 60 x 192RE          | 2                                  | 14   |
| 60 x 216RE          | 2                                  | 16   |



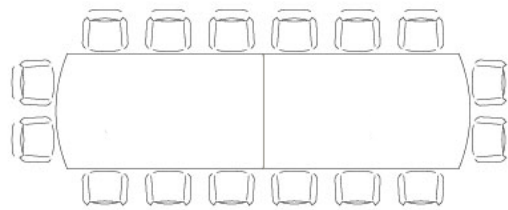
Rectangle 60x216

| RACETRACK           |                                    |  |
|---------------------|------------------------------------|--|
| <i>Size / Shape</i> | <i>Number of Tabletop Sections</i> | <i>Number of Chairs (based on 25" wide chairs)</i> |
| 48 x 96RT           | 1                                  | 8  |
| 48 x 120RT          | 2                                  | 10   |
| 48 x 144RT          | 2                                  | 10   |
| 48 x 168RT          | 2                                  | 12   |
| 48 x 192RT          | 2                                  | 14   |
| 48 x 216RT          | 2                                  | 14   |
| 60 x 120RT          | 2                                  | 10   |
| 60 x 144RT          | 2                                  | 12   |
| 60 x 168RT          | 2                                  | 12   |
| 60 x 192RT          | 2                                  | 14   |
| 60 x 216RT          | 2                                  | 16   |



Racetrack 60x216

| RECTANGLE ARC ENDS  |                                    |  |
|---------------------|------------------------------------|--|
| <i>Size / Shape</i> | <i>Number of Tabletop Sections</i> | <i>Number of Chairs (based on 25" wide chairs)</i> |
| 48 x 96REA          | 1                                  | 8  |
| 48 x 120REA         | 2                                  | 10   |
| 48 x 144REA         | 2                                  | 10   |
| 48 x 168REA         | 2                                  | 12   |
| 48 x 192REA         | 2                                  | 14   |
| 48 x 216REA         | 2                                  | 14   |
| 60 x 120REA         | 2                                  | 10   |
| 60 x 144REA         | 2                                  | 12   |
| 60 x 168REA         | 2                                  | 12   |
| 60 x 192REA         | 2                                  | 14   |
| 60 x 216REA         | 2                                  | 16   |

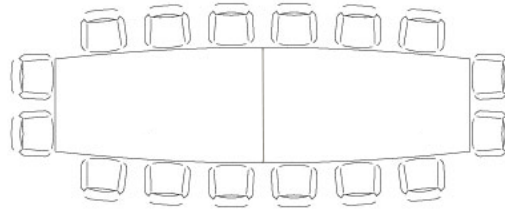


Rectangle Arc Ends 60x216

# BOARDGAMES TABLES

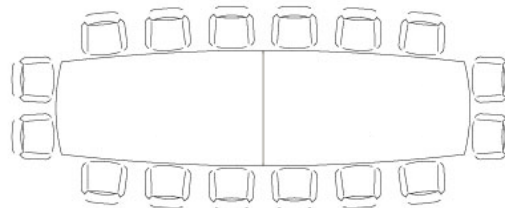
## TABLETOP SECTIONS AND SEATING LAYOUTS

| BOATSHAPE                      |                                    |  |
|--------------------------------|------------------------------------|--|
| <i>Size / Shape</i>            | <i>Number of Tabletop Sections</i> | <i>Number of Chairs (based on 25" wide chairs)</i> |
| 48 x 96BT                      | 1                                  | 8  |
| 48 x 120BT                     | 2                                  | 10   |
| 48 x 144BT                     | 2                                  | 10   |
| 48 x 168BT                     | 2                                  | 12   |
| 48 x 192BT                     | 2                                  | 14   |
| 48 x 216BT                     | 2                                  | 14   |
| 60 x 120BT                     | 2                                  | 10   |
| 60 x 144BT                     | 2                                  | 12   |
| 60 x 168BT                     | 2                                  | 12   |
| 60 x 192BT                     | 2                                  | 14   |
| 60 x 216BT                     | 2                                  | 16   |
| <i>Standard with 12" Taper</i> |                                    |  |



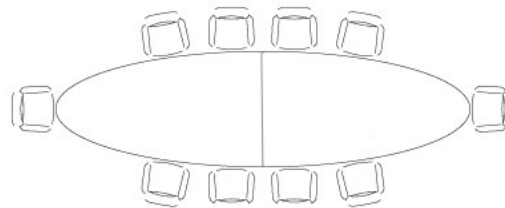
Boatshape 60x216

| BOATSHAPE ARC ENDS  |                                    |  |
|---------------------|------------------------------------|--|
| <i>Size / Shape</i> | <i>Number of Tabletop Sections</i> | <i>Number of Chairs (based on 25" wide chairs)</i> |
| 48 x 96BTA          | 1                                  | 8  |
| 48 x 120BTA         | 2                                  | 10   |
| 48 x 144BTA         | 2                                  | 10   |
| 48 x 168BTA         | 2                                  | 12   |
| 48 x 192BTA         | 2                                  | 14   |
| 48 x 216BTA         | 2                                  | 14   |
| 60 x 120BTA         | 2                                  | 10   |
| 60 x 144BTA         | 2                                  | 12   |
| 60 x 168BTA         | 2                                  | 12   |
| 60 x 192BTA         | 2                                  | 14   |
| 60 x 216BTA         | 2                                  | 16   |



Boatshape Arc Ends 60x216

| ELLIPSE             |                                    |  |
|---------------------|------------------------------------|--|
| <i>Size / Shape</i> | <i>Number of Tabletop Sections</i> | <i>Number of Chairs (based on 25" wide chairs)</i> |
| 48 x 96EL           | 1                                  | 6  |
| 48 x 120EL          | 2                                  | 6  |
| 48 x 144EL          | 2                                  | 8  |
| 48 x 168EL          | 2                                  | 10   |
| 48 x 192EL          | 2                                  | 10   |
| 48 x 216EL          | 2                                  | 12   |
| 60 x 120EL          | 2                                  | 8  |
| 60 x 144EL          | 2                                  | 10   |
| 60 x 168EL          | 2                                  | 10   |
| 60 x 192EL          | 2                                  | 12   |
| 60 x 216EL          | 2                                  | 14   |

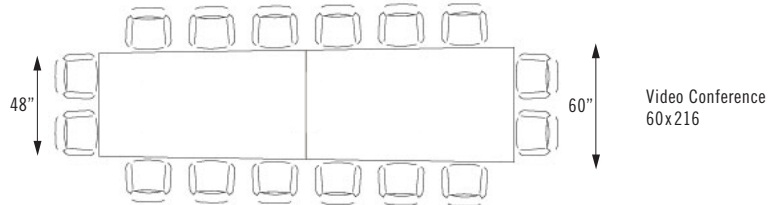


Ellipse 60x216

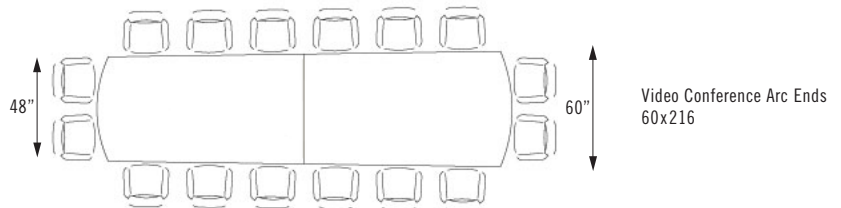
# BOARDGAMES TABLES

## TABLETOP SECTIONS AND SEATING LAYOUTS

| VIDEO CONFERENCE               |                             |   |
|--------------------------------|-----------------------------|---|
| Size / Shape                   | Number of Tabletop Sections | Number of Chairs (based on 25" wide chairs) |
| 48 x 96VC                      | 1                           | 8   |
| 48 x 120VC                     | 2                           | 10  |
| 48 x 144VC                     | 2                           | 10  |
| 48 x 168VC                     | 2                           | 14  |
| 48 x 192VC                     | 2                           | 14  |
| 48 x 216VC                     | 2                           | 14  |
| 60 x 120VC                     | 2                           | 10  |
| 60 x 144VC                     | 2                           | 10  |
| 60 x 168VC                     | 2                           | 14  |
| 60 x 192VC                     | 2                           | 14  |
| 60 x 216VC                     | 2                           | 16  |
| <i>Standard with 12" Taper</i> |                             |   |



| VIDEO CONFERENCE ARC           |                             |   |
|--------------------------------|-----------------------------|---|
| Size / Shape                   | Number of Tabletop Sections | Number of Chairs (based on 25" wide chairs) |
| 48 x 96VCA                     | 1                           | 8   |
| 48 x 120VCA                    | 2                           | 10  |
| 48 x 144VCA                    | 2                           | 10  |
| 48 x 168VCA                    | 2                           | 14  |
| 48 x 192VCA                    | 2                           | 14  |
| 48 x 216VCA                    | 2                           | 14  |
| 60 x 120VCA                    | 2                           | 10  |
| 60 x 144VCA                    | 2                           | 10  |
| 60 x 168VCA                    | 2                           | 14  |
| 60 x 192VCA                    | 2                           | 14  |
| 60 x 216VCA                    | 2                           | 16  |
| <i>Standard with 12" Taper</i> |                             |   |



## LARGER TABLE SIZES

Boardgames tabletops with a length of 108" to 216" and a width that doesn't exceed 60", will be made in 2 equal pieces. Boardgames tabletops with a length of 216" to 324" and a width that doesn't exceed 60", will be made in 3 equal pieces. All multiple piece tabletops are tight joint fastened. Bases standard in 22" width. 30" width is available, please contact factory for pricing.

## WOOD FINISHES AND GRAIN DIRECTION

### Finishes

Veneers and hardwood edge finishes are available in our 9 standard stains or stain-to-match which is never an upcharge.

### Grain Direction

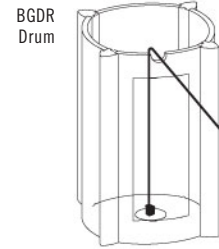
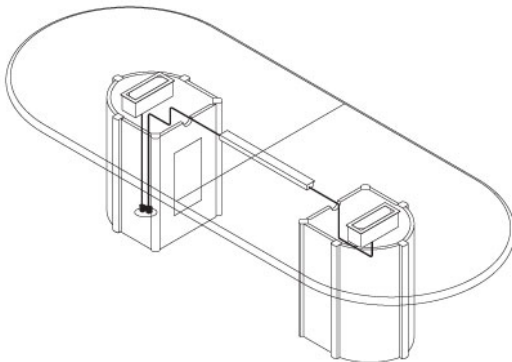
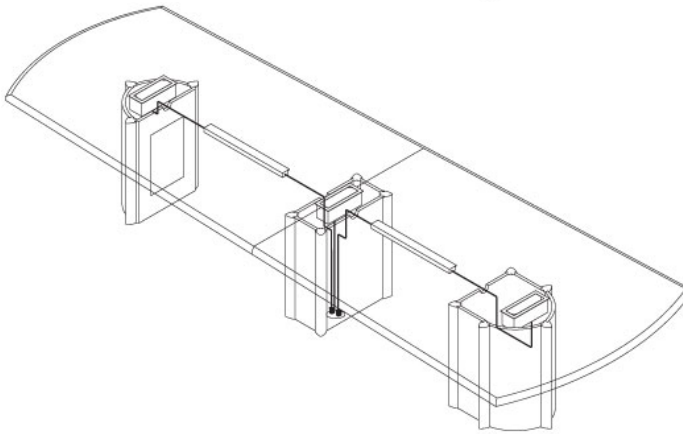
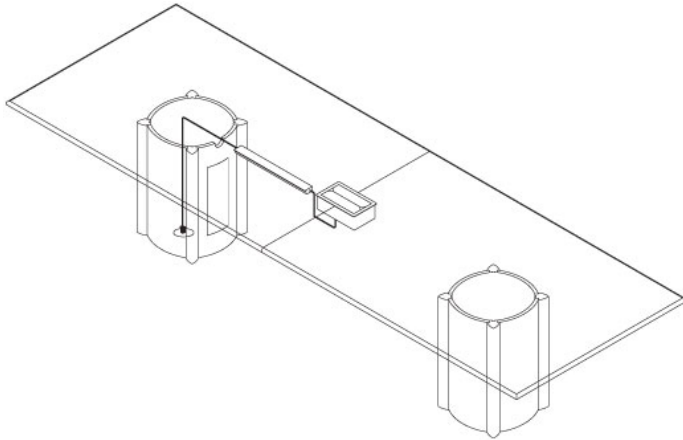
The grain on a single piece laminate or veneer boardroom tabletop will run lengthwise.

The grain on a 2-piece or more veneer top runs width-wise. The grain on a 2-piece or more laminate top runs length-wise.



# BOARDGAMES TABLES

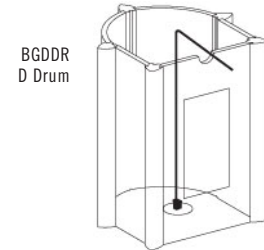
## POWER AND VOICE/DATA MODULES



BGDR  
Drum



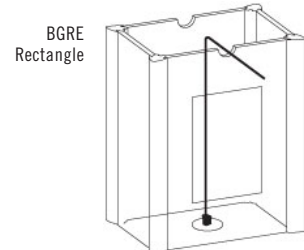
BGHDR  
Half Drum



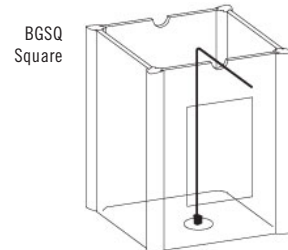
BGDDR  
D Drum



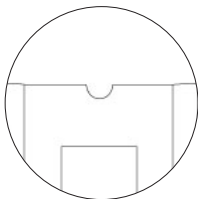
BGEL  
Ellipse



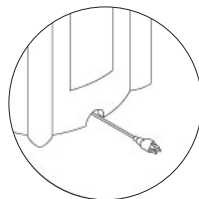
BGRE  
Rectangle



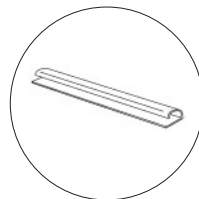
BGSQ  
Square



All Boardgames bases are standard with a touch latch removable door and a 3" cutout for wire pass-through at the top



Optional cutout for wire pass-through at the bottom of Boardgames bases must be specified if required



Tops are standard with 24" PVC under table wire manager between bases