

BOARDGAMES TABLES



PRODUCT CODE

4896 BT BG EL - L

Top Size

Width x Length

Top Shape

D : Round
 SQ : Square
 RE : Rectangle
 REA: Rectangle Arc
 RT : Racetrack
 BT : Boatshape
 BTA : Boatshape Arc

EL : Ellipse
 VC : Video Conference
 VCA : Video Conference Arc

Series

BG : Boardgame
 PL : Plinth

Base Shape

DR : Drum
 RE : Rectangle
 SQ : Square
 EL : Ellipse
 DDR : D-Drum
 HDR : Half Drum

Finish

L : Laminate
 V : Veneer



OPTIONS

BASE

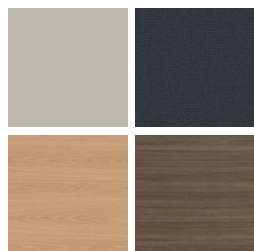


TRIM DETAIL



FINISHES

LAMINATE



Select from 15 standard laminates or choose any standard Wilsonart, Nevamar, Formica, Arborite and Pionite matte finish laminates at no upcharge

VENEER



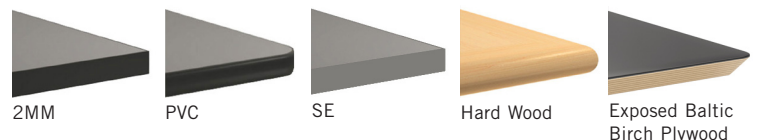
Select from one of our 9 standard wood stains or stain-to-match at no upcharge

ALUMINUM BASE TRIM



Select from one of our 76 standard Spectone colors

EDGE

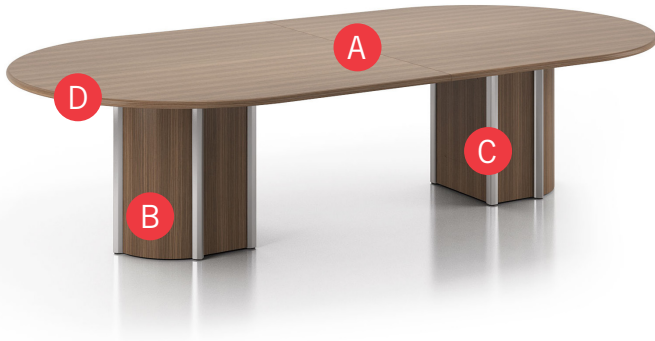


See Spectone Card or specfurniture.com/materials/finishes for a complete list of finish options and colors.



BOARDGAMES TABLES

HOW TO ORDER



Specify Top Size (Width x Length) and Shape

- A** Specify Top Type and Finish
For Laminate Top: Manufacturer, Laminate Name, Laminate Code
For Veneer Top: Wood Stain
- B** Specify Edge Type, (for hardwood: Style), and Finish
PVC/2mm/Self Edge/Exposed Baltic Birch Plywood/Hardwood
- C** Specify Base Type and Finish
For Laminate Base: Manufacturer, Laminate Name, Laminate Code
For Veneer Base: Wood Stain
- D** Specify Base Trim Type and Finish
For Aluminum: RAL Color
For Wood: Wood Stain

Optional: Grommets, Power and Data Modules, Custom Solutions



Top Size and Shape	Top Type and Finish	Edge Type and Finish	Base Type and Finish	Base Trim Type and Finish
24 x 72, Racetrack	Laminate, Arborite, Brown Sugar	Hardwood, HF, Custom Brown Sugar Stain	Laminate, Arborite, Brown Sugar	Aluminum, Silver

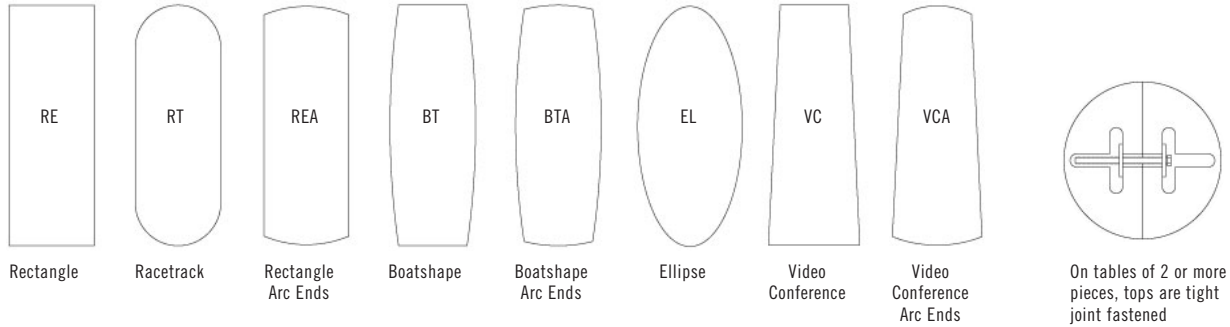


BOARDGAMES TABLES BOARDROOM

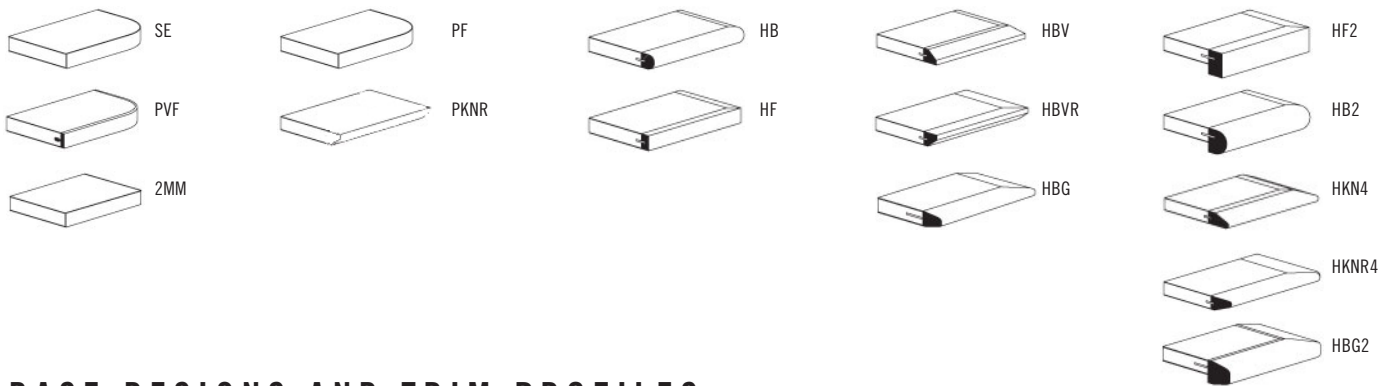
TABLETOP SHAPES

On one piece tabletops, grain direction runs lengthwise.

On tabletops of two or more pieces, grain direction runs from side to side, as standard.



EDGE PROFILES

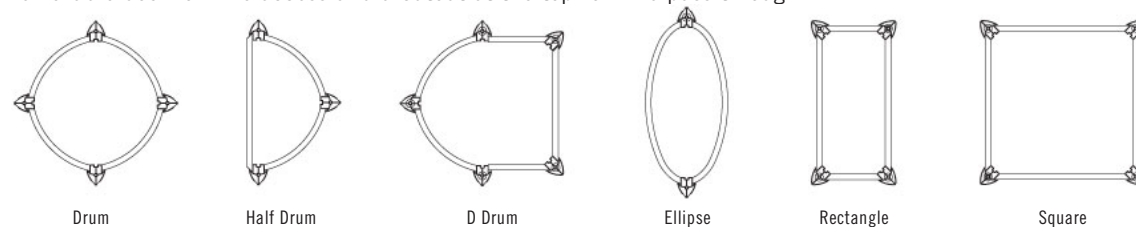


BASE DESIGNS AND TRIM PROFILES

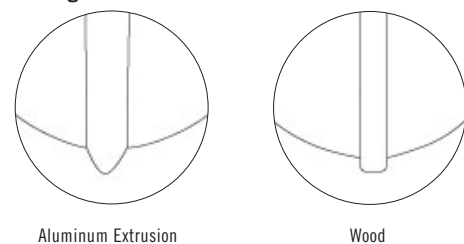
Boardgames - Base Designs

Six different Boardgames bases are available, in laminate or veneer, standard at 22" width. For 30" width options, please contact Spec Customer Service. Each base features trim profiles in your choice of aluminum extrusion or wood. Aluminum extrusion is available in any Spectone color at no upcharge.

Wood trim on base stained in any of Spec's 9 standard stain colors or stain-to-match at no upcharge. The bases are standard with a removable door for wire access and a cutout at the top for wire pass-through.



Boardgames - Base Trim Profiles





BOARDGAMES TABLES

BOARDROOM

TABLETOP



MODEL	TABLETOPS		TOP AND EDGE SPECIFICATIONS						BASES		LBS
	Code	Number of Sections	For Laminate Top			For Veneer Top			Number of Bases Required	Base width	
			SE PVF 2MM	HF HB	HBV HBVR HBG	HF2 HB2 HKN4 HKNR4 HBG2	HF HB HBV HBVR HBG	HF2 HB2 HKN4 HKNR4 HBG2	BGDR BGSQ PLDR PLSQ		
<i>Round</i>											
42	42D	1	667	1243	1367	1632	1658	1971	1	22"	110
48	48D	1	690	1463	1598	1730	2204	2606	1	22"	126
54	54D	1	980	2120	2330	2530	2766	3282	1	22"	146
60	60D	1	1028	2322	2546	2715	3401	4042	1	30"	165



BASES

MODEL	BASE SHAPES	FINISH	BASE PRICE		LBS	
			22" wide	30" wide		
BGDR-L		BOARDGAME DRUM	Laminate	1479	2071	75
BGDR-V		Veneer	1654	2316	75	
BGSQ-L		BOARDGAME SQUARE	Laminate	977	1368	70
BGSQ-V		Veneer	1151	1611	70	
PLDR-L		PLINTH BASE DRUM	Laminate	1479	2071	75
PLDR-V		Veneer	1654	2316	75	
PLSQ-L		PLINTH BASE SQUARE	Laminate	977	1368	70
PLSQ-V		Veneer	1151	1611	70	



BGDR



BGSQ



PLSQ



PLDR

For applicable Power & Data modules, please see Table Accessories Price List.



BOARDGAMES TABLES

BOARDROOM

TABLETOP



MODEL	TABLETOPS		TOP AND EDGE SPECIFICATIONS						BASES		LBS
	Code	Number of Sections	For Laminate Top			For Veneer Top			Number of Bases Required	Base width	
			SE PVF 2MM	HF HB PKNR ¹ PF ¹	HBV HBVR HBG	HF2 HB2 HKN4 HKNR4 HBG2	HF HB HBV HBVR HBG	HF2 HB2 HKN4 HKNR4 HBG2	BGDR BGSQ PLDR PLSQ		
<i>Square</i>											
36 x 36	36SQ	1	400	623	685	895	903	1103	1	22"	98
42 x 42	42SQ	1	681	1004	1103	1203	1272	1545	1	22"	112
48 x 48	48SQ	1	835	1118	1223	1270	1648	2001	1	22"	128
54 x 54	54SQ	1	983	1607	1771	1961	2065	2522	1	22"	146
60 x 60	60SQ	1	1013	1713	1888	2079	2544	3097	1	30"	165

¹ Exposed Baltic Birch plywood edge (PKNR, PF) can only be specified on tops up to 47-1/2" x 95-1/2". Clear finish only.



BASES

MODEL	BASE SHAPES	FINISH	BASE PRICE		LBS	
			22" wide	30" wide		
BGDR-L		BOARDGAME DRUM	Laminate	1479	2071	75
BGDR-V		Veneer	1654	2316	75	
BGSQ-L		BOARDGAME SQUARE	Laminate	977	1368	70
BGSQ-V		Veneer	1151	1611	70	
PLDR-L		PLINTH BASE DRUM	Laminate	1479	2071	75
PLDR-V		Veneer	1654	2316	75	
PLSQ-L		PLINTH BASE SQUARE	Laminate	977	1368	70
PLSQ-V		Veneer	1151	1611	70	



BGDR



BGSQ



PLSQ



PLDR



BOARDGAMES TABLES

BOARDROOM

TABLETOP



MODEL	TABLETOPS		TOP AND EDGE SPECIFICATIONS						BASES			LBS
	Code	Number of Sections	For Laminate Top			For Veneer Top			Number of Bases Required		Base width	
			SE PVF 2MM	HF HB PKNR ¹ PF ¹	HBV HBVR HBG	HF2 HB2 HKN4 HKNR4 HBG2	HF HB HBV HBVR HBG	HF2 HB2 HKN4 HKNR4 HBG2	BGEL BGRE BGHDR*	BGDR BGSQ BGDDR*	PLDR PLSQ	
<i>Rectangle</i>												
48 x 96	4896RE	1	1419	2329	2575	2824	3192	3904	2	2	22"	135
48 x 120	48120RE	2	1757	2932	3210	3811	3899	4732	3	2	22"	168
48 x 144	48144RE	2	2153	3838	4205	4776	4640	5642	3	3	22"	202
48 x 168	48168RE	2	2657	4353	4772	5569	5385	6549	3	3	22"	236
48 x 192	48192RE	2	2980	5189	5697	6834	6446	7838	3	3	22"	269
48 x 216	48216RE	2	3597	5784	6344	7554	7185	8755	3	3	22"	303
60 x 120	60120RE	2	2241	3998	4382	4974	4833	5878	3	2	30"	210
60 x 144	60144RE	2	2689	4798	5257	5968	5800	7053	3	3	30"	252
60 x 168	60168RE	2	3139	5598	6132	6964	6767	8227	3	3	30"	294
60 x 192	60192RE	2	3770	6718	7357	8355	8120	9874	3	3	30"	336
60 x 216	60216RE	2	4239	7558	8280	9400	9135	11105	3	3	30"	378

*When specifying Half Drum (BGHDR) or D-Drum (BGDDR) bases where 3 bases are required, the middle base should be specified as a Rectangle base (BGRE).
¹ Exposed Baltic Birch plywood edge (PKNR, PF) can only be specified on tops up to 47-1/2" x 95-1/2". Clear finish only.

BASES

MODEL	BASE SHAPES		FINISH	BASE PRICE		LBS	
				Aluminum or Wood Trim	22" wide		30" wide
BGDR-L		BOARDGAME DRUM	Laminate		1479	2071	75
BGDR-V			Veneer		1654	2316	75
BGRE-L		BOARDGAME RECTANGLE	Laminate		977	1368	70
BGRE-V			Veneer		1151	1611	70
BGSQ-L		BOARDGAME SQUARE	Laminate		977	1368	70
BGSQ-V			Veneer		1151	1611	70
BGEL-L		BOARDGAME ELLIPSE	Laminate		1046	-	65
BGEL-V			Veneer		1224	-	65
BGDDR-L		BOARDGAME D-DRUM	Laminate		1650	2310	85
BGDDR-V			Veneer		1830	2562	85
BGHDR-L		BOARDGAME HALF DRUM	Laminate		1191	1667	65
BGHDR-V			Veneer		1368	1915	65
PLDR-L		PLINTH BASE DRUM	Laminate		1479	2071	75
PLDR-V			Veneer		1654	2316	75
PLSQ-L		PLINTH BASE SQUARE	Laminate		977	1368	70
PLSQ-V			Veneer		1151	1611	70
PLRE-L		PLINTH BASE RECTANGLE	Laminate		977	1368	70
PLRE-V			Veneer		1151	1611	70



For applicable Power & Data modules, please see Table Accessories Price List.



BOARDGAMES TABLES

BOARDROOM

TABLETOP



MODEL	TABLETOPS		TOP AND EDGE SPECIFICATIONS						BASES			LBS
	Code	Number of Sections	For Laminate Top			For Veneer Top			Number of Bases Required		Base width	
			SE PVF 2MM	HF HB	HBV HBVR HBG	HF2 HB2 HKN4 HKNR4 HBG2	HF HB HBV HBVR HBG	HF2 HB2 HKN4 HKNR4 HBG2	BGEL BGRE BGHDR*	BGDR BGSQ BGDDR*	PLDR PLSQ	
<i>Rectangle Arc Ends</i>												
48 x 96	4896REA	1	1439	2468	2719	3322	3748	4507	2	2	22"	135
48 x 120	48120REA	2	1784	3416	3743	4574	4539	5426	3	2	22"	168
48 x 144	48144REA	2	2183	4216	4617	5647	5408	6484	3	3	22"	202
48 x 168	48168REA	2	2689	4900	5368	6512	6290	7537	3	3	22"	236
48 x 192	48192REA	2	2878	5764	6321	7424	7718	8592	3	3	22"	269
48 x 216	48216REA	2	3597	6464	7092	8458	8795	9645	3	3	22"	303
60 x 120	60120REA	2	2230	4270	4676	5720	5673	6786	3	2	30"	210
60 x 144	60144REA	2	2729	5270	5773	7063	6762	8106	3	3	30"	252
60 x 168	60168REA	2	3364	6129	6713	8139	7863	9421	3	3	30"	294
60 x 192	60192REA	2	4035	7354	8057	9768	10160	11307	3	3	30"	336
60 x 216	60216REA	2	4540	8272	9063	10989	11429	12719	3	3	30"	378

*When specifying Half Drum (BGHDR) or D-Drum (BGDDR) bases where 3 bases are required, the middle base should be specified as a Rectangle base (BGRE).

BASES

MODEL	BASE SHAPES	FINISH	BASE PRICE		LBS	
			Aluminum or Wood Trim	22" wide		30" wide
BGDR-L		BOARDGAME DRUM	Laminate	1479	2071	75
BGDR-V			Veneer	1654	2316	75
BGRE-L		BOARDGAME RECTANGLE	Laminate	977	1368	70
BGRE-V			Veneer	1151	1611	70
BGSQ-L		BOARDGAME SQUARE	Laminate	977	1368	70
BGSQ-V			Veneer	1151	1611	70
BGEL-L		BOARDGAME ELLIPSE	Laminate	1046	-	65
BGEL-V			Veneer	1224	-	65
BGDDR-L		BOARDGAME D-DRUM	Laminate	1650	2310	85
BGDDR-V			Veneer	1830	2562	85
BGHDR-L		BOARDGAME HALF DRUM	Laminate	1191	1667	65
BGHDR-V			Veneer	1368	1915	65
PLDR-L		PLINTH BASE DRUM	Laminate	1479	2071	75
PLDR-V			Veneer	1654	2316	75
PLSQ-L		PLINTH BASE SQUARE	Laminate	977	1368	70
PLSQ-V			Veneer	1151	1611	70
PLRE-L		PLINTH BASE RECTANGLE	Laminate	977	1368	70
PLRE-V			Veneer	1151	1611	70



For applicable Power & Data modules, please see Table Accessories Price List.



BOARDGAMES TABLES

BOARDROOM

TABLETOP



MODEL	TABLETOPS		TOP AND EDGE SPECIFICATIONS						BASES			LBS
	Code	Number of Sections	For Laminate Top			For Veneer Top			Number of Bases Required		Base width	
			SE PVF 2MM	HF HB	HBV HBVR HBG	HF2 HB2 HKN4 HKNR4 HBG2	HF HB HBV HBVR HBG	HF2 HB2 HKN4 HKNR4 HBG2	BGEL BGRE BGHDR*	BGDR BGSQ BGDDR*		
<i>Racetrack</i>												
48 x 96	4896RT	1	1439	2468	2719	3322	3748	4507	2	2	22"	135
48 x 120	48120RT	2	1784	3416	3743	4574	4539	5426	3	2	22"	168
48 x 144	48144RT	2	2183	4216	4617	5647	5408	6484	3	3	22"	202
48 x 168	48168RT	2	2689	4900	5368	6512	6290	7537	3	3	22"	236
48 x 192	48192RT	2	2878	5764	6321	7424	7718	8592	3	3	22"	269
48 x 216	48216RT	2	3597	6464	7092	8458	8795	9645	3	3	22"	303
60 x 120	60120RT	2	2230	4270	4676	5720	5673	6786	3	2	30"	210
60 x 144	60144RT	2	2729	5270	5773	7063	6762	8106	3	3	30"	252
60 x 168	60168RT	2	3364	6129	6713	8139	7863	9421	3	3	30"	294
60 x 192	60192RT	2	4035	7354	8057	9768	10160	11307	3	3	30"	336
60 x 216	60216RT	2	4540	8272	9063	10989	11429	12719	3	3	30"	378

*When specifying Half Drum (BGHDR) or D-Drum (BGDDR) bases where 3 bases are required, the middle base should be specified as a Rectangle base (BGRE).

BASES

MODEL	BASE SHAPES	FINISH	BASE PRICE		LBS	
			Aluminum or Wood Trim	22" wide		30" wide
BGDR-L		BOARDGAME DRUM	Laminate	1479	2071	75
BGDR-V			Veneer	1654	2316	75
BGRE-L		BOARDGAME RECTANGLE	Laminate	977	1368	70
BGRE-V			Veneer	1151	1611	70
BGSQ-L		BOARDGAME SQUARE	Laminate	977	1368	70
BGSQ-V			Veneer	1151	1611	70
BGEL-L		BOARDGAME ELLIPSE	Laminate	1046	-	65
BGEL-V			Veneer	1224	-	65
BGDDR-L		BOARDGAME D-DRUM	Laminate	1650	2310	85
BGDDR-V			Veneer	1830	2562	85
BGHDR-L		BOARDGAME HALF DRUM	Laminate	1191	1667	65
BGHDR-V			Veneer	1368	1915	65
PLDR-L		PLINTH BASE DRUM	Laminate	1479	2071	75
PLDR-V			Veneer	1654	2316	75
PLSQ-L		PLINTH BASE SQUARE	Laminate	977	1368	70
PLSQ-V			Veneer	1151	1611	70
PLRE-L		PLINTH BASE RECTANGLE	Laminate	977	1368	70
PLRE-V			Veneer	1151	1611	70



For applicable Power & Data modules, please see Table Accessories Price List.



BOARDGAMES TABLES

BOARDROOM

TABLETOP



MODEL	TABLETOPS		TOP AND EDGE SPECIFICATIONS						BASES		LBS	
	Code	Number of Sections	For Laminate Top			For Veneer Top			Number of Bases Required			Base width
			SE PVF 2MM	HF HB	HBV HBVR HBG	HF2 HB2 HKN4 HKNR4 HBG2	HF HB HBV HBVR HBG	HF2 HB2 HKN4 HKNR4 HBG2	BGEL BGRE BGHDR*	BGDR BGSQ BGDDR* PLDR PLSQ		
<i>Boatshape</i>												
48 x 96	4896BT	1	1439	3170	3492	3824	4295	4709	2	2	22"	135
48 x 120	48120BT	2	1784	4185	4584	5006	5185	5664	3	2	22"	168
48 x 144	48144BT	2	2183	4986	5462	5968	6606	7041	3	3	22"	202
48 x 168	48168BT	2	2689	5751	6306	6890	7188	7860	3	3	22"	236
48 x 192	48192BT	2	2878	6632	7271	8535	8875	9881	3	3	22"	269
48 x 216	48216BT	2	3597	7432	8153	9726	10115	11091	3	3	22"	303
60 x 120	60120BT	2	2230	5229	5732	6258	6484	7078	3	2	30"	210
60 x 144	60144BT	2	2729	6234	6829	7462	8257	8803	3	3	30"	252
60 x 168	60168BT	2	3364	7192	7883	8614	8984	9826	3	3	30"	294
60 x 192	60192BT	2	4035	8629	9459	10338	10781	11790	3	3	30"	336
60 x 216	60216BT	2	4540	9707	10643	11630	12128	13266	3	3	30"	378

*When specifying Half Drum (BGHDR) or D-Drum (BGDDR) bases where 3 bases are required, the middle base should be specified as a Rectangle base (BGRE).

BASES

MODEL	BASE SHAPES	FINISH	BASE PRICE		LBS	
			Aluminum or Wood Trim	22" wide		30" wide
BGDR-L		BOARDGAME DRUM	Laminate	1479	2071	75
BGDR-V			Veneer	1654	2316	75
BGRE-L		BOARDGAME RECTANGLE	Laminate	977	1368	70
BGRE-V			Veneer	1151	1611	70
BGSQ-L		BOARDGAME SQUARE	Laminate	977	1368	70
BGSQ-V			Veneer	1151	1611	70
BGEL-L		BOARDGAME ELLIPSE	Laminate	1046	-	65
BGEL-V			Veneer	1224	-	65
BGDDR-L		BOARDGAME D-DRUM	Laminate	1650	2310	85
BGDDR-V			Veneer	1830	2562	85
BGHDR-L		BOARDGAME HALF DRUM	Laminate	1191	1667	65
BGHDR-V			Veneer	1368	1915	65
PLDR-L		PLINTH BASE DRUM	Laminate	1479	2071	75
PLDR-V			Veneer	1654	2316	75
PLSQ-L		PLINTH BASE SQUARE	Laminate	977	1368	70
PLSQ-V			Veneer	1151	1611	70
PLRE-L		PLINTH BASE RECTANGLE	Laminate	977	1368	70
PLRE-V			Veneer	1151	1611	70



For applicable Power & Data modules, please see Table Accessories Price List.



BOARDGAMES TABLES

BOARDROOM

TABLETOP



MODEL	TABLETOPS		TOP AND EDGE SPECIFICATIONS						BASES			LBS
	Code	Number of Sections	For Laminate Top			For Veneer Top			Number of Bases Required		Base width	
			SE PVF 2MM	HF HB	HBV HBVR HBG	HF2 HB2 HKN4 HKNR4 HBG2	HF HB HBV HBVR HBG	HF2 HB2 HKN4 HKNR4 HBG2	BGEL BGRE BGHDR*	BGDR BGSQ BGDDR*	PLDR PLSQ	
<i>Boatshape Arc Ends</i>												
48 x 96	4896BTA	1	1615	3721	4045	4379	4847	5261	2	2	22"	135
48 x 120	48120BTA	2	1959	4739	5139	5561	5740	6215	3	2	22"	168
48 x 144	48144BTA	2	2359	5537	6017	6523	7157	7595	3	3	22"	202
48 x 168	48168BTA	2	2866	6306	6861	7445	7741	8416	3	3	22"	236
48 x 192	48192BTA	2	3166	7295	7997	9390	9765	10869	3	3	22"	269
48 x 216	48216BTA	2	3955	8178	8970	10698	11128	12201	3	3	22"	303
60 x 120	60120BTA	2	2451	5924	6423	6950	7174	7769	3	2	30"	210
60 x 144	60144BTA	2	2948	6923	7522	8153	8949	9492	3	3	30"	252
60 x 168	60168BTA	2	3583	7883	8575	9304	9677	10521	3	3	30"	294
60 x 192	60192BTA	2	4300	9459	10290	11163	11612	12625	3	3	30"	336
60 x 216	60216BTA	2	4840	10643	11577	12560	13062	14201	3	3	30"	378

*When specifying Half Drum (BGHDR) or D-Drum (BGDDR) bases where 3 bases are required, the middle base should be specified as a Rectangle base (BGRE).

BASES

MODEL	BASE SHAPES	FINISH	BASE PRICE		LBS	
			Aluminum or Wood Trim	22" wide		30" wide
BGDR-L		BOARDGAME DRUM	Laminate	1479	2071	75
BGDR-V		Veneer	1654	2316	75	
BGRE-L		BOARDGAME RECTANGLE	Laminate	977	1368	70
BGRE-V		Veneer	1151	1611	70	
BGSQ-L		BOARDGAME SQUARE	Laminate	977	1368	70
BGSQ-V		Veneer	1151	1611	70	
BGEL-L		BOARDGAME ELLIPSE	Laminate	1046	-	65
BGEL-V		Veneer	1224	-	65	
BGDDR-L		BOARDGAME D-DRUM	Laminate	1650	2310	85
BGDDR-V		Veneer	1830	2562	85	
BGHDR-L		BOARDGAME HALF DRUM	Laminate	1191	1667	65
BGHDR-V		Veneer	1368	1915	65	
PLDR-L		PLINTH BASE DRUM	Laminate	1479	2071	75
PLDR-V		Veneer	1654	2316	75	
PLSQ-L		PLINTH BASE SQUARE	Laminate	977	1368	70
PLSQ-V		Veneer	1151	1611	70	
PLRE-L		PLINTH BASE RECTANGLE	Laminate	977	1368	70
PLRE-V		Veneer	1151	1611	70	



For applicable Power & Data modules, please see Table Accessories Price List.



BOARDGAMES TABLES

BOARDROOM

TABLETOP



MODEL	TABLETOPS		TOP AND EDGE SPECIFICATIONS						BASES			LBS
	Code	Number of Sections	For Laminate Top			For Veneer Top			Number of Bases Required		Base width	
			SE PVF 2MM	HF HB	HBV HBVR HBG	HF2 HB2 HKN4 HKNR4 HBG2	HF HB HBV HBVR HBG	HF2 HB2 HKN4 HKNR4 HBG2	BGEL BGRE BGHDR*	BGDR BGSQ BGDDR*		
<i>Ellipse</i>												
48 x 96	4896EL	1	1727	3803	4190	4591	5152	5648	2	2	22"	135
48 x 120	48120EL	2	2141	5022	5503	6007	6224	6793	3	2	22"	168
48 x 144	48144EL	2	2619	5983	6555	7164	7927	8451	3	3	22"	202
48 x 168	48168EL	2	3229	6901	7568	8268	8598	9434	3	3	22"	236
48 x 192	48192EL	2	3480	8025	8796	10327	10742	11957	3	3	22"	269
48 x 216	48216EL	2	4351	8995	9866	11768	12239	13421	3	3	22"	303
60 x 120	60120EL	2	2819	6813	7386	7992	8250	8934	3	2	30"	210
60 x 144	60144EL	2	3390	7961	8649	9378	10290	10917	3	3	30"	252
60 x 168	60168EL	2	4120	9067	9862	10701	11130	12097	3	3	30"	294
60 x 192	60192EL	2	4947	10877	11833	12839	13354	14518	3	3	30"	336
60 x 216	60216EL	2	5566	12239	13314	14442	15023	16330	3	3	30"	378

*When specifying Half Drum (BGHDR) or D-Drum (BGDDR) bases where 3 bases are required, the middle base should be specified as a Rectangle base (BGRE).



BASES

MODEL	BASE SHAPES	FINISH	BASE PRICE		LBS	
			Aluminum or Wood Trim	22" wide		30" wide
BGDR-L		BOARDGAME DRUM	Laminate	1479	2071	75
BGDR-V			Veneer	1654	2316	75
BGRE-L		BOARDGAME RECTANGLE	Laminate	977	1368	70
BGRE-V			Veneer	1151	1611	70
BGSQ-L		BOARDGAME SQUARE	Laminate	977	1368	70
BGSQ-V			Veneer	1151	1611	70
BGEL-L		BOARDGAME ELLIPSE	Laminate	1046	-	65
BGEL-V			Veneer	1224	-	65
BGDDR-L		BOARDGAME D-DRUM	Laminate	1650	2310	85
BGDDR-V			Veneer	1830	2562	85
BGHDR-L		BOARDGAME HALF DRUM	Laminate	1191	1667	65
BGHDR-V			Veneer	1368	1915	65
PLDR-L		PLINTH BASE DRUM	Laminate	1479	2071	75
PLDR-V			Veneer	1654	2316	75
PLSQ-L		PLINTH BASE SQUARE	Laminate	977	1368	70
PLSQ-V			Veneer	1151	1611	70
PLRE-L		PLINTH BASE RECTANGLE	Laminate	977	1368	70
PLRE-V			Veneer	1151	1611	70



For applicable Power & Data modules, please see Table Accessories Price List.



BOARDGAMES TABLES

BOARDROOM

TABLETOP



MODEL	TABLETOPS		TOP AND EDGE SPECIFICATIONS						BASES			LBS
	Code	Number of Sections	For Laminate Top			For Veneer Top			Number of Bases Required		Base width	
			SE PVF 2MM	HF HB	HBV HBVR HBG	HF2 HB2 HKN4 HKNR4 HBG2	HF HB HBV HBVR HBG	HF2 HB2 HKN4 HKNR4 HBG2	BGEL BGRE BGHDR*	BGDR BGSQ BGDDR*	PLDR PLSQ	
<i>Video Conference</i>												
48 x 96	4896VC	1	1439	3170	3492	3824	4295	4709	2	2	22"	135
48 x 120	48120VC	2	1784	4185	4584	5006	5185	5664	3	2	22"	168
48 x 144	48144VC	2	2183	4986	5462	5968	6606	7041	3	3	22"	202
48 x 168	48168VC	2	2689	5751	6306	6890	7167	7860	3	3	22"	236
48 x 192	48192VC	2	2878	6632	7271	8535	8875	9881	3	3	22"	269
48 x 216	48216VC	2	3597	7432	8153	9726	10115	11091	3	3	22"	303
60 x 120	60120VC	2	2230	5229	5732	6258	6484	7078	3	2	30"	210
60 x 144	60144VC	2	2729	6234	6829	7462	8257	8803	3	3	30"	252
60 x 168	60168VC	2	3364	7192	7883	8614	8984	9826	3	3	30"	294
60 x 192	60192VC	2	4035	8629	9459	10338	10781	11790	3	3	30"	336
60 x 216	60216VC	2	4540	9707	10643	11630	12128	13266	3	3	30"	378

*When specifying Half Drum (BGHDR) or D-Drum (BGDDR) bases where 3 bases are required, the middle base should be specified as a Rectangle base (BGRE).

BASES

MODEL	BASE SHAPES	FINISH	BASE PRICE		LBS	
			Aluminum or Wood Trim	22" wide		30" wide
BGDR-L		BOARDGAME DRUM	Laminate	1479	2071	75
BGDR-V			Veneer	1654	2316	75
BGRE-L		BOARDGAME RECTANGLE	Laminate	977	1368	70
BGRE-V			Veneer	1151	1611	70
BGSQ-L		BOARDGAME SQUARE	Laminate	977	1368	70
BGSQ-V			Veneer	1151	1611	70
BGEL-L		BOARDGAME ELLIPSE	Laminate	1046	-	65
BGEL-V			Veneer	1224	-	65
BGDDR-L		BOARDGAME D-DRUM	Laminate	1650	2310	85
BGDDR-V			Veneer	1830	2562	85
BGHDR-L		BOARDGAME HALF DRUM	Laminate	1191	1667	65
BGHDR-V			Veneer	1368	1915	65
PLDR-L		PLINTH BASE DRUM	Laminate	1479	2071	75
PLDR-V			Veneer	1654	2316	75
PLSQ-L		PLINTH BASE SQUARE	Laminate	977	1368	70
PLSQ-V			Veneer	1151	1611	70
PLRE-L		PLINTH BASE RECTANGLE	Laminate	977	1368	70
PLRE-V			Veneer	1151	1611	70



For applicable Power & Data modules, please see Table Accessories Price List.



BOARDGAMES TABLES BOARDROOM TABLETOP



MODEL	TABLETOPS		TOP AND EDGE SPECIFICATIONS						BASES			LBS
	Code	Number of Sections	For Laminate Top			For Veneer Top			Number of Bases Required		Base width	
			SE PVF 2MM	HF HB	HBV HBVR HBG	HF2 HB2 HKN4 HKNR4 HBG2	HF HB HBV HBVR HBG	HF2 HB2 HKN4 HKNR4 HBG2	BGEL BGRE BGHDR*	BGDR BGSQ BGDDR*		
<i>Video Conference Arc Ends</i>												
48 x 96	4896VCA	1	1615	3721	4045	4379	4847	5261	2	2	22"	135
48 x 120	48120VCA	2	1959	4739	5139	5561	5740	6215	3	2	22"	168
48 x 144	48144VCA	2	2359	5537	6017	6523	7157	7595	3	3	22"	202
48 x 168	48168VCA	2	2866	6306	6861	7445	7741	8416	3	3	22"	236
48 x 192	48192VCA	2	3166	7295	7997	9390	9765	10869	3	3	22"	269
48 x 216	48216VCA	2	3955	8178	8970	10698	11128	12201	3	3	22"	303
60 x 120	60120VCA	2	2451	5924	6423	6950	7174	7769	3	2	30"	210
60 x 144	60144VCA	2	2948	6923	7522	8153	8949	9492	3	3	30"	252
60 x 168	60168VCA	2	3583	7883	8575	9304	9677	10521	3	3	30"	294
60 x 192	60192VCA	2	4300	9459	10290	11163	11612	12625	3	3	30"	336
60 x 216	60216VCA	2	4840	10643	11577	12560	13062	14201	3	3	30"	378

*When specifying Half Drum (BGHDR) or D-Drum (BGDDR) bases where 3 bases are required, the middle base should be specified as a Rectangle base (BGRE).

BASES

MODEL	BASE SHAPES	FINISH	BASE PRICE		LBS	
			Aluminum or Wood Trim	22" wide		30" wide
BGDR-L		BOARDGAME DRUM	Laminate	1479	2071	75
BGDR-V			Veneer	1654	2316	75
BGRE-L		BOARDGAME RECTANGLE	Laminate	977	1368	70
BGRE-V			Veneer	1151	1611	70
BGSQ-L		BOARDGAME SQUARE	Laminate	977	1368	70
BGSQ-V			Veneer	1151	1611	70
BGEL-L		BOARDGAME ELLIPSE	Laminate	1046	-	65
BGEL-V			Veneer	1224	-	65
BGDDR-L		BOARDGAME D-DRUM	Laminate	1650	2310	85
BGDDR-V			Veneer	1830	2562	85
BGHDR-L		BOARDGAME HALF DRUM	Laminate	1191	1667	65
BGHDR-V			Veneer	1368	1915	65
PLDR-L		PLINTH BASE DRUM	Laminate	1479	2071	75
PLDR-V			Veneer	1654	2316	75
PLSQ-L		PLINTH BASE SQUARE	Laminate	977	1368	70
PLSQ-V			Veneer	1151	1611	70
PLRE-L		PLINTH BASE RECTANGLE	Laminate	977	1368	70
PLRE-V			Veneer	1151	1611	70

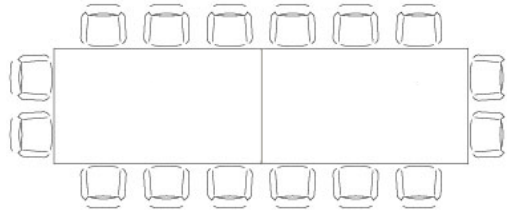


For applicable Power & Data modules, please see Table Accessories Price List.

BOARDGAMES TABLES

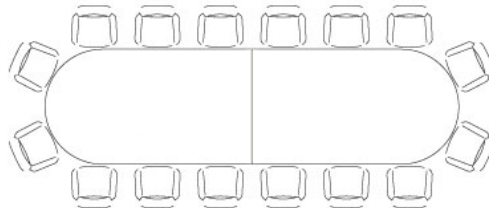
TABLETOP SECTIONS AND SEATING LAYOUTS

RECTANGLE		
<i>Size / Shape</i>	<i>Number of Tabletop Sections</i>	<i>Number of Chairs (based on 25" wide chairs)</i>
48 x 96RE	1	8
48 x 120RE	2	10
48 x 144RE	2	10
48 x 168RE	2	12
48 x 192RE	2	14
48 x 216RE	2	14
60 x 120RE	2	10
60 x 144RE	2	12
60 x 168RE	2	12
60 x 192RE	2	14
60 x 216RE	2	16



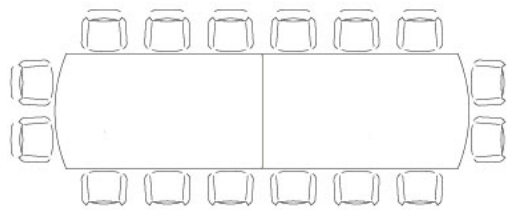
Rectangle 60x216

RACETRACK		
<i>Size / Shape</i>	<i>Number of Tabletop Sections</i>	<i>Number of Chairs (based on 25" wide chairs)</i>
48 x 96RT	1	8
48 x 120RT	2	10
48 x 144RT	2	10
48 x 168RT	2	12
48 x 192RT	2	14
48 x 216RT	2	14
60 x 120RT	2	10
60 x 144RT	2	12
60 x 168RT	2	12
60 x 192RT	2	14
60 x 216RT	2	16



Racetrack 60x216

RECTANGLE ARC ENDS		
<i>Size / Shape</i>	<i>Number of Tabletop Sections</i>	<i>Number of Chairs (based on 25" wide chairs)</i>
48 x 96REA	1	8
48 x 120REA	2	10
48 x 144REA	2	10
48 x 168REA	2	12
48 x 192REA	2	14
48 x 216REA	2	14
60 x 120REA	2	10
60 x 144REA	2	12
60 x 168REA	2	12
60 x 192REA	2	14
60 x 216REA	2	16



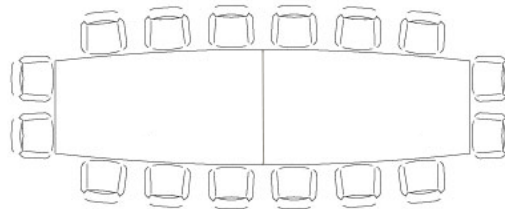
Rectangle Arc Ends 60x216



BOARDGAMES TABLES

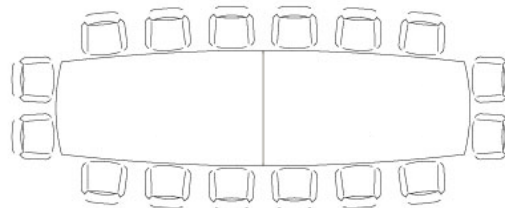
TABLETOP SECTIONS AND SEATING LAYOUTS

BOATSHAPE		
Size / Shape	Number of Tabletop Sections	Number of Chairs (based on 25" wide chairs)
48 x 96BT	1	8
48 x 120BT	2	10
48 x 144BT	2	10
48 x 168BT	2	12
48 x 192BT	2	14
48 x 216BT	2	14
60 x 120BT	2	10
60 x 144BT	2	12
60 x 168BT	2	12
60 x 192BT	2	14
60 x 216BT	2	16
Standard with 12" Taper		



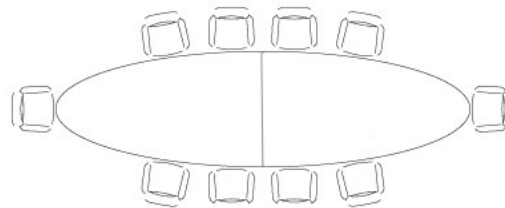
Boatshape 60x216

BOATSHAPE ARC ENDS		
Size / Shape	Number of Tabletop Sections	Number of Chairs (based on 25" wide chairs)
48 x 96BTA	1	8
48 x 120BTA	2	10
48 x 144BTA	2	10
48 x 168BTA	2	12
48 x 192BTA	2	14
48 x 216BTA	2	14
60 x 120BTA	2	10
60 x 144BTA	2	12
60 x 168BTA	2	12
60 x 192BTA	2	14
60 x 216BTA	2	16



Boatshape Arc Ends 60x216

ELLIPSE		
Size / Shape	Number of Tabletop Sections	Number of Chairs (based on 25" wide chairs)
48 x 96EL	1	6
48 x 120EL	2	6
48 x 144EL	2	8
48 x 168EL	2	10
48 x 192EL	2	10
48 x 216EL	2	12
60 x 120EL	2	8
60 x 144EL	2	10
60 x 168EL	2	10
60 x 192EL	2	12
60 x 216EL	2	14



Ellipse 60x216

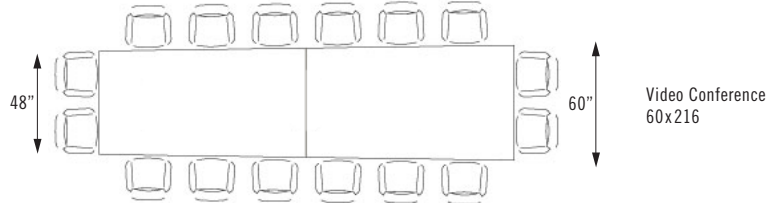





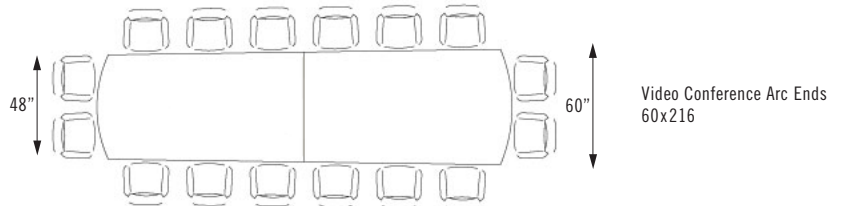
BOARDGAMES TABLES

TABLETOP SECTIONS AND SEATING LAYOUTS

VIDEO CONFERENCE		
Size / Shape	Number of Tabletop Sections	Number of Chairs (based on 25" wide chairs)
48 x 96VC	1	8
48 x 120VC	2	10
48 x 144VC	2	10
48 x 168VC	2	14
48 x 192VC	2	14
48 x 216VC	2	14
60 x 120VC	2	10
60 x 144VC	2	10
60 x 168VC	2	14
60 x 192VC	2	14
60 x 216VC	2	16
Standard with 12" Taper		

VIDEO CONFERENCE ARC		
Size / Shape	Number of Tabletop Sections	Number of Chairs (based on 25" wide chairs)
48 x 96VCA	1	8
48 x 120VCA	2	10
48 x 144VCA	2	10
48 x 168VCA	2	14
48 x 192VCA	2	14
48 x 216VCA	2	14
60 x 120VCA	2	10
60 x 144VCA	2	10
60 x 168VCA	2	14
60 x 192VCA	2	14
60 x 216VCA	2	16
Standard with 12" Taper		



LARGER TABLE SIZES

Boardgames tabletops with a length of 108" to 216" and a width that doesn't exceeds 60", will be made in 2 equal pieces. Boardgames tabletops with a length of 216" to 324" and a width that doesn't exceed 60", will be made in 3 equal pieces. All multiple piece tabletops are tight joint fastened. Bases standard in 22" width. 30" width is available, please contact factory for pricing.

WOOD FINISHES AND GRAIN DIRECTION

Finishes

Veneers and hardwood edge finishes are available in our 9 standard stains or stain-to-match which is never an upcharge.

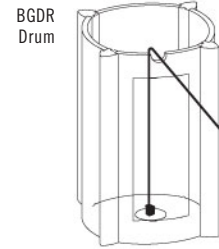
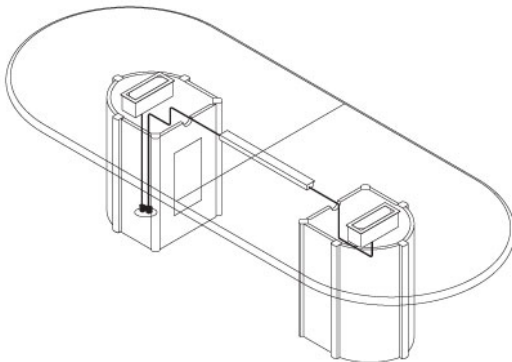
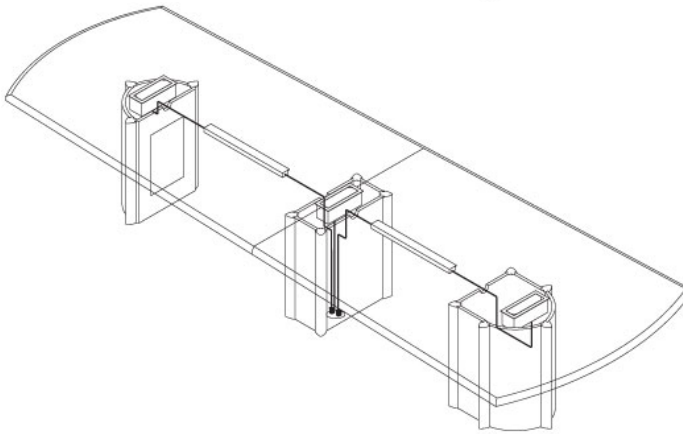
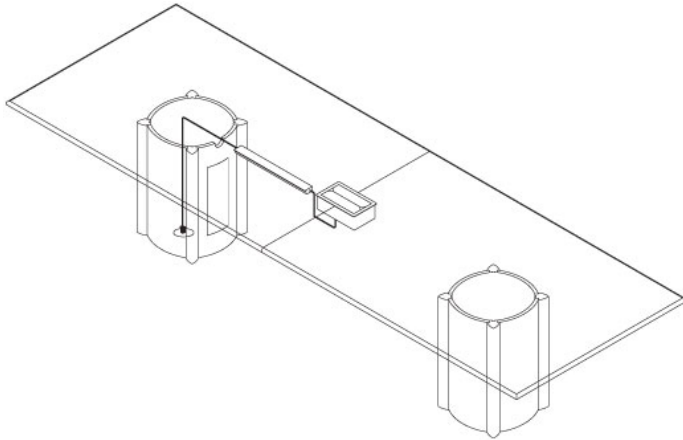
Grain Direction

The grain on a single piece laminate or veneer boardroom tabletop will run lengthwise.

The grain on a 2-piece or more veneer top runs width-wise. The grain on a 2-piece or more laminate top runs length-wise.

BOARDGAMES TABLES

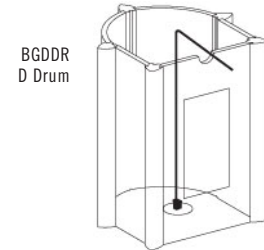
POWER AND VOICE/DATA MODULES



BGDR
Drum



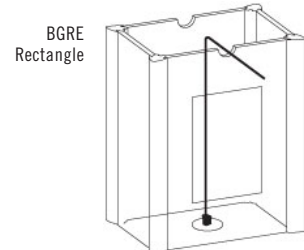
BGHDR
Half Drum



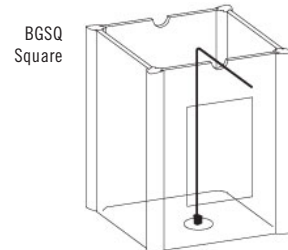
BGDDR
D Drum



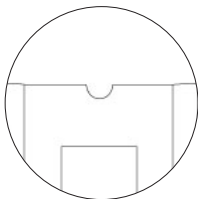
BGEL
Ellipse



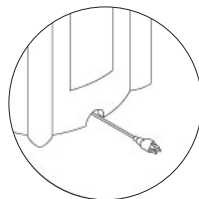
BGRE
Rectangle



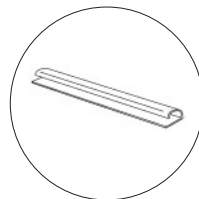
BGSQ
Square



All Boardgames bases are standard with a touch latch removable door and a 3" cutout for wire pass-through at the top



Optional cutout for wire pass-through at the bottom of Boardgames bases must be specified if required



Tops are standard with 24" PVC under table wire manager between bases