

COOPER COLLECTION - DWIGHT Lounge Seating

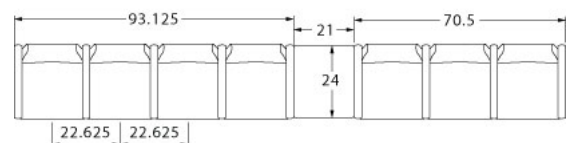
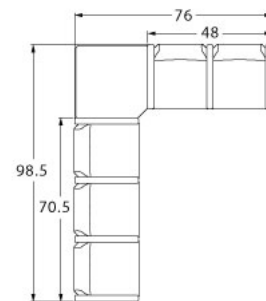
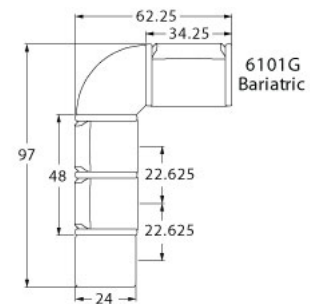
LAYOUTS



Description

- Spec's Dwight offers a steel leg frame with elements of wood giving it a softer look and feel of wood, without sacrificing high durability.
- Your layout possibilities are unlimited with spacer, radius and corner tables – for both standard and bariatric seating in virtually any combination.
- Bariatric seating is a 30" wide seat and is load tested to 750 lbs. Cannot be connected to other bariatric seats.
- 21" seat width is standard.
- Standard in European Beech in any of 9 standard stains or stain-to-match at no upcharge.
- Choice of wood or polyurethane arms in flat (WF or PF) or rounded (WR or PR) profile.
- Arms are replaceable in the field.
- All models offer a choice of no center arms, half arms or full arms to the floor.
- Glides and separate seat and back are standard.
- Please send a drawing of the configuration you require with your order.
- For fabrics you wish railroaded or repeats larger than 5" x 5", please contact the factory with repeat information and yardage requirement will be provided.

LAYOUTS AND DIMENSIONS



COOPER COLLECTION - DWIGHT Lounge Seating



PRODUCT CODE

6 1 2 3 M - WR

Collection

6 : Cooper

Series

1 : Dwight

Center Arm

0 : Outside Arms
 1 : Half Arms
 2 : Full Arms

Number of Seats

1 : Single Seater
 2 : Two Seater
 3 : Three Seater

Chair Type

M : Mid Back
 H : Highback
 L : Loveseat
 G : Bariatric
 ME : Hip Chair
 B : Bench

Arm Type

WF : Wood Flat Profile
 WR : Wood Round Profile
 PF : Poly Flat Profile
 PR : Poly Round Profile
 K : KYDEX® Flat Profile



OPTIONS

ARM TYPE



Polyurethane

Wood

KYDEX®

PANEL ARMS



Half Panel Arms

FINISHES

FRAME



Select from one of our 76 standard Spectone colors

FABRIC



Select fabrics from one of our textile partners

ARMS



Black

Sterling Grey

Taupe

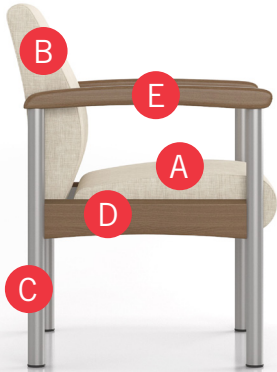
Select from one of our 9 standard wood stains or stain-to-match at no upcharge

See Spectone Card or specfurniture.com/materials/finishes for a complete list of finish options and colors.



COOPER COLLECTION - DWIGHT Lounge Seating

HOW TO ORDER



Specify Model

- A** Specify Fabric - Seat¹
Manufacturer, Pattern Name, Color
- B** Specify Fabric - Back¹
Manufacturer, Pattern Name, Color
- C** Specify Frame Finish
- D** Specify Side Rail Finish
- E** Specify Arm Type, Profile and Color
Polyurethane (Flat or Round) / Wood (Flat or Round) / KYDEX® (\$) (Flat)

Optional: KYDEX® Arm, CAL 133, Moisture Barrier, Half Panel Arms, Connecting and Freestanding Tables, Benches, Ottoman, Vinyl Headrest Insert

¹ When multiple fabrics are specified on two and three seat chairs, please provide a drawing and legend for fabric placement.

Model	Fabric - Seat	Fabric - Back	Frame Finish	Side Rail Finish	Arm Type, Profile and Color
6101M	Momentum, Beeline, Canvas	Momentum, Beeline, Canvas	Silver	Studio Teak Stain	Wood, Round, Studio Teak Stain





COOPER COLLECTION - DWIGHT Lounge Seating

Designed for today's healthcare facilities
Single Seater with arms

Standard Features

- Separate seat and back
- Wood components in Beech, in any of 9 standard stains or stain-to-match at no upcharge
- Fully welded frame with 1.625" steel legs
- Frame in any Spectone color
- Glides
- Velcro removable back covers
- Replaceable seats
- Arms replaceable in the field
- Use in connected layouts at no upcharge
- Ships assembled
- Ships 1/carton 15 cu ft

Options

- Wood or polyurethane arms, in flat (WF or PF) or rounded (WR or PR) profile
- Round polyurethane arms available in Black, Sterling Grey and Taupe (RAL 7006)
- Flat polyurethane arms available in Black only
- KYDEX® flat arms available in Black (B) or Taupe RAL 7006 (T) or Sterling Grey (G)
- Connected and freestanding tables
- Antibacterial and antimicrobial fabrics available
- Different fabric on seat and back at no upcharge
- CAL 133

Contact Spec Customer Service to railroad fabrics (specify repeat info and yardage requirement will be provided) and for repeats greater than 5" x 5"



Single Seater with arms

COM 1.75 yds
0.75 yd COM per single seat
1.0 yd COM per single back

MODEL	COM	GR 1	GR 2	GR 3	GR 4	GR 5	GR 6
6101M	941	1020	1046	1101	1179	1240	1321

Dimensions (inches)

seat H	18.0	seat W	21.0	arm H	25.0
total H	33.75	total W	25.25	depth	25.0

For KYDEX® flat arms add suffix K and \$242

Dynamic load tested to 500 lbs per chair
CAL 133, add \$114 List per chair



6101M
40 lbs

COOPER COLLECTION - DWIGHT Lounge Seating

Designed for today's healthcare facilities

Two and Three Seaters with outside arms

Standard Features

- Separate seat and back
- Wood components in Beech, in any of 9 standard stains or stain-to-match at no upcharge
- Fully welded frame with 1.625" steel legs
- Frame in any Spectone color
- Glides
- Velcro removable back covers
- Replaceable seats
- Arms removable in the field
- Use in connected layouts at no upcharge
- Ships assembled
- Ships 1/carton 26 cu ft (2 seater), 1/carton 39 cu ft (3 seater)

Options

- Wood or polyurethane arms, in flat (WF or PF) or rounded (WR or PR) profile
- Round polyurethane arms available in Black, Sterling Grey and Taupe (RAL 7006)
- Flat polyurethane arms available in Black only
- KYDEX® flat arms available in Black (B) or Taupe RAL 7006 (T) or Sterling Grey (G)
- Connected and freestanding tables
- Antibacterial and antimicrobial fabrics available
- Different fabric on seat and back at no upcharge
- CAL 133

Contact Spec Customer Service to railroad fabrics (specify repeat info and yardage requirement will be provided) and for repeats greater than 5" x 5"



Two Seater with outside arms

COM 3.5 yds
0.75 yd COM per single seat
1.0 yd COM per single back

MODEL	COM	GR 1	GR 2	GR 3	GR 4	GR 5	GR 6
6102M	1367	1526	1579	1686	1844	1967	2126

Dimensions (inches)
seat H 18.0 seat W 21.0 arm H 25.0
total H 33.75 total W 46.5 depth 25.0

For KYDEX® flat arms add suffix K and \$242
Dynamic load tested to 750 lbs per two seater
CAL 133, add \$228 List per two seater



6102M
66 lbs

Three Seater with outside arms

COM 5.25 yds
0.75 yd COM per single seat
1.0 yd COM per single back

MODEL	COM	GR 1	GR 2	GR 3	GR 4	GR 5	GR 6
6103M	1790	2030	2110	2268	2508	2689	2931

Dimensions (inches)
seat H 18.0 seat W 21.0 arm H 25.0
total H 33.75 total W 67.5 depth 25.0

For KYDEX® flat arms add suffix K and \$242
Dynamic load tested to 1000 lbs per three seater
CAL 133, add \$342 List per three seater



6103M
92 lbs



COOPER COLLECTION - DWIGHT Lounge Seating

Designed for today's healthcare facilities

Two and Three Seaters with half arms

Standard Features

- Separate seat and back
- Wood components in Beech, in any of 9 standard stains or stain-to-match at no upcharge
- Fully welded frame with 1.625" steel legs
- Frame in any Spectone color
- Glides
- Velcro removable back covers
- Replaceable seats
- Arms replaceable in the field
- Use in connected layouts at no upcharge
- Ships assembled
- Ships 1/carton 26 cu ft (2 seater), 1/carton 39 cu ft (3 seater)

Options

- Wood or polyurethane arms, in flat (WF or PF) or rounded (WR or PR) profile
- Round polyurethane arms available in Black, Sterling Grey and Taupe (RAL 7006)
- Flat polyurethane arms available in Black only
- KYDEX® flat arms available in Black (B) or Taupe RAL 7006 (T) or Sterling Grey (G)
- Connected and freestanding tables
- Antibacterial and antimicrobial fabrics available
- Different fabric on seat and back at no upcharge
- CAL 133

Contact Spec Customer Service to railroad fabrics (specify repeat info and yardage requirement will be provided) and for repeats greater than 5" x 5"



Two Seater with half arms

COM 3.5 yds
0.75 yd COM per single seat
1.0 yd COM per single back

MODEL	COM	GR 1	GR 2	GR 3	GR 4	GR 5	GR 6
6112M	1741	1900	1954	2059	2219	2341	2499

Dimensions (inches)

	seat H	seat W	total W	arm H	depth
total H	18.0	21.0	48.0	25.0	25.0

For KYDEX® flat arms add suffix K and \$363
Dynamic load tested to 750 lbs per two seater
CAL 133, add \$228 List per two seater



6112M
68 lbs

Three Seater with half arms

COM 5.25 yds
0.75 yd COM per single seat
1.0 yd COM per single back

MODEL	COM	GR 1	GR 2	GR 3	GR 4	GR 5	GR 6
6113M	2541	2780	2858	3018	3257	3440	3681

Dimensions (inches)

	seat H	seat W	total W	arm H	depth
total H	18.0	21.0	70.5	25.0	25.0

For KYDEX® flat arms add suffix K and \$484
Dynamic load tested to 1000 lbs per three seater
CAL 133, add \$342 List per three seater



6113M
96 lbs



COOPER COLLECTION - DWIGHT Lounge Seating

Designed for today's healthcare facilities

Two and Three Seaters with full arms

Standard Features

- Separate seat and back
- Wood components in Beech, in any of 9 standard stains or stain-to-match at no upcharge
- Fully welded frame with 1.625" steel legs
- Frame in any Spectone color
- Glides
- Velcro removable back covers
- Replaceable seats
- Arms replaceable in the field
- Use in connected layouts at no upcharge
- Ships assembled
- Ships 1/carton 26 cu ft (2 seater), 1/carton 39 cu ft (3 seater)

Options

- Wood or polyurethane arms, in flat (WF or PF) or rounded (WR or PR) profile
- Round polyurethane arms available in Black, Sterling Grey and Taupe (RAL 7006)
- Flat polyurethane arms available in Black only
- KYDEX® flat arms available in Black (B) or Taupe RAL 7006 (T) or Sterling Grey (G)
- Connected and freestanding tables
- Antibacterial and antimicrobial fabrics available
- Different fabric on seat and back at no upcharge
- CAL 133

Contact Spec Customer Service to railroad fabrics (specify repeat info and yardage requirement will be provided) and for repeats greater than 5" x 5"



Two Seater with full arms

COM 3.5 yds
0.75 yd COM per single seat
1.0 yd COM per single back

MODEL	COM	GR 1	GR 2	GR 3	GR 4	GR 5	GR 6
6122M	1741	1900	1954	2059	2219	2341	2499

Dimensions (inches)
seat H 18.0 seat W 21.0 arm H 25.0
total H 33.75 total W 48.5 depth 25.0

For KYDEX® flat arms add suffix K and \$363
Dynamic load tested to 750 lbs per two seater
CAL 133, add \$228 List per two seater



6122M
73 lbs

Three Seater with full arms

COM 5.25 yds
0.75 yd COM per single seat
1.0 yd COM per single back

MODEL	COM	GR 1	GR 2	GR 3	GR 4	GR 5	GR 6
6123M	2541	2780	2858	3018	3257	3440	3681

Dimensions (inches)
seat H 18.0 seat W 21.0 arm H 25.0
total H 33.75 total W 70.5 depth 25.0

For KYDEX® flat arms add suffix K and \$484
Dynamic load tested to 1000 lbs per three seater
CAL 133, add \$342 List per three seater



6123M
99 lbs



COOPER COLLECTION - DWIGHT Lounge Seating

Designed for today's healthcare facilities

Loveseat with arms

Standard Features

- Separate seat and back
- Wood components in Beech, in any of 9 standard stains or stain-to-match at no upcharge
- Fully welded frame with 1.625" steel legs
- Frame in any Spectone color
- Glides
- Velcro removable back covers
- Replaceable seats
- Arms replaceable in the field
- Use in connected layouts at no upcharge
- Ships assembled
- Ships 1/carton 20 cu ft

Options

- Wood or polyurethane arms, in flat (WF or PF) or rounded (WR or PR) profile
- Round polyurethane arms available in Black, Sterling Grey and Taupe (RAL 7006)
- Flat polyurethane arms available in Black only
- KYDEX® flat arms available in Black (B) or Taupe RAL 7006 (T) or Sterling Grey (G)
- Connected and freestanding tables
- Antibacterial and antimicrobial fabrics available
- Different fabric on seat and back at no upcharge
- CAL 133

Contact Spec Customer Service to railroad fabrics (specify repeat info and yardage requirement will be provided) and for repeats greater than 5" x 5"



Loveseat with arms

COM 4.0 yds
2.0 yd COM per single seat
2.0 yd COM per single back

MODEL	COM	GR 1	GR 2	GR 3	GR 4	GR 5	GR 6
6101L	1479	1666	1727	1851	2036	2179	2367

Dimensions (inches)

seat H	18.0	seat W	42.0	arm H	25.0
total H	33.75	total W	44.75	depth	25.0

For KYDEX® flat arms add suffix K and \$242

Dynamic Load Tested to 750 lbs per chair

CAL 133, add \$173 List per chair



6101L
66 lbs



COOPER COLLECTION - DWIGHT Lounge Seating

Designed for today's healthcare facilities
Bariatric Single Seater with arms

Standard Features

- Separate seat and back
- Wood components in Beech, in any of 9 standard stains or stain-to-match at no upcharge
- Fully welded frame with 1.625" steel legs
- Frame in any Spectone color
- Glides
- Velcro removable back covers
- Replaceable seats
- Arms replaceable in the field
- Use in connected layouts at no upcharge
- Bariatric seating cannot connect to bariatric seating
- Ships assembled
- Ships 1/carton 20 cu ft

Options

- Wood or polyurethane arms, in flat (WF or PF) or rounded (WR or PR) profile
- Round polyurethane arms available in Black, Sterling Grey and Taupe (RAL 7006)
- Flat polyurethane arms available in Black only
- KYDEX® flat arms available in Black (B) or Taupe RAL 7006 (T) or Sterling Grey (G)
- Connected and freestanding tables
- Antibacterial and antimicrobial fabrics available
- Different fabric on seat and back at no upcharge
- CAL 133

Contact Spec Customer Service to railroad fabrics (specify repeat info and yardage requirement will be provided) and for repeats greater than 5" x 5"



Bariatric Single Seater with arms

COM 3.0 yds
1.5 yd COM per single seat
1.5 yd COM per single back

MODEL	COM	GR 1	GR 2	GR 3	GR 4	GR 5	GR 6
6101G	1123	1282	1335	1440	1601	1722	1882

Dimensions (inches)

seat H	18.0	seat W	30.0	arm H	25.0
total H	33.75	total W	34.25	depth	25.0

For KYDEX® flat arms add suffix K and \$242

Dynamic Load Tested to 750 lbs per chair
CAL 133, add \$138 List per chair



6101G
47 lbs



COOPER COLLECTION - DWIGHT Lounge Seating

Designed for today's healthcare facilities
 Highback Single Seater with arms – Ottoman

Standard Features

- Separate seat and back
- Wood components in Beech, in any of 9 standard stains or stain-to-match at no upcharge
- Fully welded frame with 1.625" steel legs
- Frame in any Spectone color
- Glides
- Velcro removable back covers
- Replaceable seats
- Arms replaceable in the field
- Use in connected layouts at no upcharge
- Ships assembled
- Ships 1/carton 19 cu ft
- Ottoman ships 1/carton 5 cu ft

Options

- Wood or polyurethane arms, in flat (WF or PF) or rounded (WR or PR) profile
- Round polyurethane arms available in Black, Sterling Grey and Taupe (RAL 7006)
- Flat polyurethane arms available in Black only
- KYDEX® flat arms available in Black (B) or Taupe RAL 7006 (T) or Sterling Grey (G)
- Vinyl insert on top of the back, add \$45 List/seat back
- Connected and freestanding tables
- Antibacterial and antimicrobial fabrics available
- Different fabric on seat and back at no upcharge
- CAL 133

Contact Spec Customer Service to railroad fabrics (specify repeat info and yardage requirement will be provided) and for repeats greater than 5" x 5"



Highback Single Seater with arms

COM 2.5 yds
 0.75 yd COM per single seat
 1.75 yds COM per single back

MODEL	COM	GR 1	GR 2	GR 3	GR 4	GR 5	GR 6
6101H	1025	1154	1195	1282	1408	1505	1633

Dimensions (inches)

	seat H	18.0	seat W	21.0	arm H	25.0
total H	47.5	total W	25.25	depth	25.0	

For KYDEX® flat arms add suffix K and \$242

Dynamic load tested to 500 lbs per chair
 CAL 133, add \$126 List per chair



6101H
43 lbs

Ottoman

0.5 yd COM per ottoman

MODEL	COM	GR 1	GR 2	GR 3	GR 4	GR 5	GR 6
6130F	417	451	461	480	515	538	571

Ottoman Dimensions (inches)

H	11.5	W	19.25	depth	12.25
---	------	---	-------	-------	-------

CAL 133, add \$51 List



6130F
16 lbs



COOPER COLLECTION - DWIGHT Lounge Seating

Designed for today's healthcare facilities

Half Panel Arm

Options

To order half panel arms, add Z to model number, e.g. 6101Z

- Antibacterial and antimicrobial fabrics available
- CAL 133

Pricing is for one half panel arm, e.g. for a single seater chair with half panel arms, add two half panel arms to cost of chair

Contact Spec Customer Service to railroad fabrics (specify repeat info and yardage requirement will be provided) and for repeats greater than 5" x 5"



Half Panel Arm

COM 0.5 yds per half panel arm

MODEL	COM	GR 1	GR 2	GR 3	GR 4	GR 5	GR 6
Z	70	92	99	113	132	152	172

CAL 133, add \$42 List per half panel arm



1.5 lbs per half panel arm



COOPER COLLECTION - DWIGHT Lounge Seating

Designed for today's healthcare facilities
Easy Access Hip Single Seater with arms

Standard Features

- Separate seat and back
- Wood components in Beech, in any of 9 standard stains or stain-to-match at no upcharge
- Fully welded frame with 1.625" steel legs
- Frame in any Spectone color
- Glides
- Velcro removable back covers
- Replaceable seats
- Arms replaceable in the field
- 24" seat height, no seat pitch (level)
- Footrest which assists entering/exiting chair
- Ships assembled
- Ships 1/carton 19 cu ft

Options

- Wood or polyurethane arms, in flat (WF or PF) or rounded (WR or PR) profile
- Round polyurethane arms available in Black, Sterling Grey and Taupe (RAL 7006)
- Flat polyurethane arms available in Black only
- KYDEX® flat arms available in Black (B) or Taupe RAL 7006 (T) or Sterling Grey (G)
- Antibacterial and antimicrobial fabrics available
- Different fabric on seat and back at no upcharge
- CAL 133

Contact Spec Customer Service to railroad fabrics (specify repeat info and yardage requirement will be provided) and for repeats greater than 5" x 5"



Easy Access Hip Single Seater with arms

COM 1.75 yds
0.75 yd COM per single seat
1.0 yd COM per single back

MODEL	COM	GR 1	GR 2	GR 3	GR 4	GR 5	GR 6
6101ME	1163	1241	1268	1322	1403	1463	1543

Dimensions (inches)

seat H	24.0	seat W	21.0	arm H	32.0
total H	46.0	total W	25.25	depth	25.0

For KYDEX® flat arms add suffix K and \$242

Dynamic Load Tested to 500 lbs per chair
CAL 133, add \$114 List per chair



6101ME
47 lbs

COOPER COLLECTION - DWIGHT Lounge Seating

Designed for today's healthcare facilities
Single and Two Seater Benches

Standard Features

- Wood components in Beech, in any of 9 standard stains or stain-to-match at no upcharge
- Fully welded frame with 1.625" steel legs
- Frame in any Spectone color
- Glides
- Use in connected layouts at no upcharge
- Arms replaceable in the field
- Replaceable seats
- Ships assembled
- Ships 1/carton 9 cu ft (single seater), 14 cu ft (2 seater), 21 cu ft (3 seater)

Options

- Antibacterial and antimicrobial fabrics available
- CAL 133

Contact Spec Customer Service to railroad fabrics (specify repeat info and yardage requirement will be provided) and for repeats greater than 5" x 5"

Single Seater Bench

COM 1.0 yds
1.0 yd COM per single seat

MODEL	COM	GR 1	GR 2	GR 3	GR 4	GR 5	GR 6
6101B	591	644	661	698	750	790	844
<i>No arms</i>							
6101B	805	858	875	912	964	1005	1057
<i>End arms (WF/WR or PF/PR)</i>							
Dimensions (inches)							
seat H	18.0	seat W	21.0	arm H	24.0	depth	26.25
total H	N/A	total W	24.25	total W	25.25		
		w/o arms		w/end arms			

Dynamic load tested to 500 lbs per bench
CAL 133, add \$51 List per bench



6101B
22 lbs

Two Seater Bench

COM 2.0 yds
1.0 yd COM per single seat

MODEL	COM	GR 1	GR 2	GR 3	GR 4	GR 5	GR 6
6102B	822	928	964	1036	1141	1223	1328
<i>No arms</i>							
6102B	1036	1142	1178	1249	1354	1436	1542
<i>End arms (WF/WR or PF/PR)</i>							
6112B	1237	1344	1378	1451	1556	1637	1745
<i>Arms between and at ends (WF/WR or PF/PR)</i>							
Dimensions (inches)							
seat H	18.0	seat W	21.0	arm H	24.0	depth	26.25
total H	N/A	total W	45.25	total W	46.25		
		w/o arms		w/end arms			

Dynamic load tested to 750 lbs per two seat bench
CAL 133, add \$102 List per two seat bench



6102B
41 lbs



COOPER COLLECTION - DWIGHT Lounge Seating

Designed for today's healthcare facilities

Three Seater Bench

Standard Features

- Wood components in Beech, in any of 9 standard stains or stain-to-match at no upcharge
- Fully welded frame with 1.625" steel legs
- Frame in any Spectone color
- Glides
- Use in connected layouts at no upcharge
- Arms replaceable in the field
- Replaceable seats
- Ships assembled
- Ships 1/carton 9 cu ft (single seater), 14 cu ft (2 seater), 21 cu ft (3 seater)

Options

- Antibacterial and antimicrobial fabrics available
- CAL 133

Contact Spec Customer Service to railroad fabrics (specify repeat info and yardage requirement will be provided) and for repeats greater than 5" x 5"



Three Seater Bench

COM 3.0 yds
1.0 yd COM per single seat

MODEL	COM	GR 1	GR 2	GR 3	GR 4	GR 5	GR 6
6103B	1109	1267	1321	1427	1588	1708	1868
<i>No arms</i>							
6103B	1323	1483	1536	1641	1802	1924	2083
<i>End arms (WF WR or PF PR)</i>							
6113B	1779	1939	1993	2097	2257	2378	2540
<i>Arms between and at ends (WF WR or PF PR)</i>							



6103B
60 lbs

Dimensions (inches)

seat H	18.0	seat W	21.0	arm H	24.0	depth	26.25
total H	N/A	total W	66.25	total W	67.25		
		w/o arms		w/end arms			

Dynamic load tested to 1000 lbs per three seat bench
CAL 133, add \$153 List per three seat bench



COOPER COLLECTION - DWIGHT Lounge Seating

Designed for today's healthcare facilities

Freestanding Lounge Tables – Corner and Spacer Connecting Tables

Standard Features

- Tops in laminate or veneer
- Select laminate tops from 15 standard laminates or choose any standard Wilsonart, Nevamar, Formica, Arborite and Pionite matte finish laminates at no upcharge.
- Freestanding lounge tables available with PVC Flat (PVF), 2mm (2MM), exposed Baltic Birch plywood (PF, PKNR) or hardwood (HB) edge
- Connecting table tops available with PVC Flat (PVF) edge, Self edge (SE) or hardwood (HB) edge
- 9 standard veneer and hardwood edge stains. Stain-to-match available at no upcharge.
- Steel legs and Beech table skirts
- Frame in any Spectone color
- Tops utilize NU Green earth friendly core
- Threaded replaceable glides
- 18" height

Options

- Non-standard laminates, contact Spec for pricing
- Custom size spacer tables for restricted spaces
- Self edge available at same cost as PVC Flat (PVF) edge
- Other sizes may be available

Radius Corner Tables are recommended for open areas

Freestanding Lounge Tables

Model	Laminate PVF/SE/2MM	Laminate PF/PKNR/HB	Veneer HB	Weight	Cu.Ft.
61 - 24 x 24 SQ	562	735	872	47	7.2
61 - 24 x 48 RE	707	894	1086	64	18
61 - 30 x 30 SQ	657	783	930	57	13.5
61 - 22 DIA	722	1036	1219	47	7.2



Corner and Spacer Connecting Tables

Model	Laminate PVF/SE	Laminate HB Edge	Veneer HB Edge	Weight	Cu.Ft.
61RC - 28 x 28 <i>Radius Corner Table</i>	778	1074	1259	42	2
61SC - 28 x 28 <i>Square Corner Table</i>	851	1033	1140	46	2
61TC - 45 degree <i>Corner Table</i>	778	1074	1259	40	2
61ST - 21 x 24 <i>Spacer Table</i>	528	747	855	27	2
61ET - 21 x 24 <i>End Table</i>	705	922	1032	37	2

