



COOPER COLLECTION - DWIGHT Lounge Seating

LAYOUTS

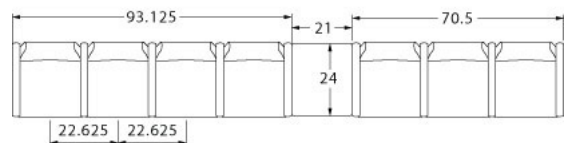
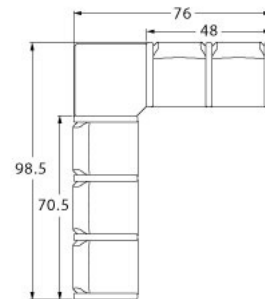
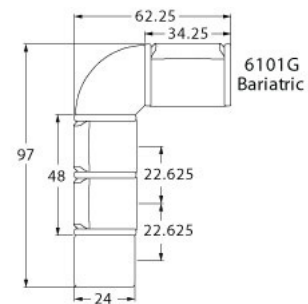


Description

- Spec's Dwight offers a steel leg frame with elements of wood giving it a softer look and feel of wood, without sacrificing high durability.
- Your layout possibilities are unlimited with spacer, radius and corner tables – for both standard and bariatric seating in virtually any combination.
- Bariatric seating is a 30" wide seat and is load tested to 750 lbs. Cannot be connected to other bariatric seats.
- 21" seat width is standard.
- Standard in European Beech in any of 9 standard stains or stain-to-match at no upcharge.
- Choice of wood or polyurethane arms in flat (WF or PF) or rounded (WR or PR) profile.
- Arms are replaceable in the field.
- All models offer a choice of no center arms, half arms or full arms to the floor.
- Glides and separate seat and back are standard.
- Foam formulated to meet California Bulletin 133 standards is available.
- Please send a drawing of the configuration you require with your order.
- Ships assembled as one, two and three seater units.
- For fabrics you wish railroaded or repeats larger than 5" x 5", please contact the factory with repeat information and yardage requirement will be provided.



LAYOUTS AND DIMENSIONS





Pricing August 2017
Discount 57.7% from List prices



COOPER COLLECTION - DWIGHT Lounge Seating



PLACING AN ORDER IS EASY

PRODUCT CODE

6101M - WF

Collection

6 : Cooper

Series

1 : Dwight

Center Arm

0 : Outside Arms
1 : Half Arms
2 : Full Arms

Number of Seats

1 : Single Seater
2 : Two Seater
3 : Three Seater

Chair Type

M : Mid Back
H : Highback
L : Loveseat
G : Bariatric
ME : Hip Chair
B : Bench

Arm Type

WF : Wood Flat Profile
WR : Wood Round Profile
PF : Poly Flat Profile
PR : Poly Round Profile



OPTIONS

ARM TYPE



Wood



Polyurethane



KYDEX®

SIDE PANEL



Half Panel Arms

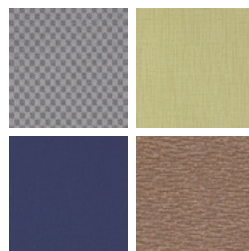
FINISHES

FRAME



Select from one of our 76 standard Spectone colors

FABRIC



Select fabrics from one of our textile partners

ARMS



*Wood arms are available in 9 standard stains or stain-to-match at no upcharge.



COOPER COLLECTION - DWIGHT Lounge Seating

Designed for today's healthcare facilities
Single Seater with arms

Standard Features

- Separate seat and back
- Wood components in Beech, in any of 9 standard stains or stain-to-match at no upcharge
- Fully welded frame with 1.625" steel legs
- Frame in any Spectone color
- Glides
- Velcro removable back covers
- Replaceable seats
- Arms replaceable in the field
- Use in connected layouts at no upcharge
- Ships assembled as 1, 2 or 3 seaters
- Ships 1/carton 15 cu ft

Contact Spec™ Customer Service to railroad fabrics (specify repeat info and yardage requirement will be provided) and for repeats greater than 5" x 5"

Options

- Wood or polyurethane arms, in flat (WF or PF) or rounded (WR or PR) profile
- Round polyurethane arms available in Black, Sterling Grey and Taupe (RAL 7006)
- Flat polyurethane arms available in Black only
- KYDEX® flat arms available in Black (B) or Taupe RAL 7006 (T) or Sterling Grey (G)
- Add 2.5" to back for overall height of 36.25", add \$45 List/single seat
- Connected and freestanding tables
- 3" clear Cooper Leg Guard, add \$11 List/leg (not available with Textured paint)
- Antibacterial and antimicrobial fabrics available
- Different fabric on seat and back at no upcharge
- CAL 133



Single Seater with arms

COM 1.75 yds
0.75 yd COM per single seat
1.0 yd COM per single back

MODEL	COM	GR 1	GR 2	GR 3	GR 4	GR 5	GR 6
6101M	996	1080	1107	1164	1248	1313	1397

Dimensions (inches)					
seat H	18.0	seat W	21.0	arm H	25.0
total H	33.75	total W	25.25	depth	25.0

For KYDEX® flat arms add suffix K and \$256

Dynamic load tested to 500 lbs per chair
CAL 133, add \$112 List per chair



6101M
27 lbs



COOPER COLLECTION - DWIGHT Lounge Seating

Designed for today's healthcare facilities
Two and Three Seaters with outside arms

Standard Features

- Separate seat and back
- Wood components in Beech, in any of 9 standard stains or stain-to-match at no upcharge
- Fully welded frame with 1.625" steel legs
- Frame in any Spectone color
- Glides
- Velcro removable back covers
- Replaceable seats
- Arms removable in the field
- Use in connected layouts at no upcharge
- Ships assembled as 1, 2 or 3 seaters
- Ships 1/carton 26 cu ft (2 seater),
1/carton 39 cu ft (3 seater)

Contact Spec Customer Service to railroad fabrics (specify repeat info and yardage requirement will be provided) and for repeats greater than 5" x 5"

Options

- Wood or polyurethane arms, in flat (WF or PF) or rounded (WR or PR) profile
- Round polyurethane arms available in Black, Sterling Grey and Taupe (RAL 7006)
- Flat polyurethane arms available in Black only
- KYDEX® flat arms available in Black (B) or Taupe RAL 7006 (T) or Sterling Grey (G)
- Add 2.5" to back for overall height of 36.25", add \$45 List/single seat
- Connected and freestanding tables
- 3" clear Cooper Leg Guard, add \$11 List/leg (not available with Textured paint)
- Antibacterial and antimicrobial fabrics available
- Different fabric on seat and back at no upcharge
- CAL 133



Two Seater with outside arms

COM 3.5 yds
0.75 yd COM per single seat
1.0 yd COM per single back

MODEL	COM	GR 1	GR 2	GR 3	GR 4	GR 5	GR 6
6102M	1444	1613	1669	1782	1951	2080	2247

Dimensions (inches)
seat H 18.0 seat W 21.0 arm H 25.0
total H 33.75 total W 46.5 depth 25.0

For KYDEX® flat arms add suffix K and \$256
Dynamic load tested to 750 lbs per two seater
CAL 133, add \$224 List per two seater



6102M
51 lbs

Three Seater with outside arms

COM 5.25 yds
0.75 yd COM per single seat
1.0 yd COM per single back

MODEL	COM	GR 1	GR 2	GR 3	GR 4	GR 5	GR 6
6103M	1894	2149	2232	2400	2654	2848	3100

Dimensions (inches)
seat H 18.0 seat W 21.0 arm H 25.0
total H 33.75 total W 67.5 depth 25.0

For KYDEX® flat arms add suffix K and \$256
Dynamic load tested to 1000 lbs per three seater
CAL 133, add \$336 List per three seater



6103M
75 lbs



COOPER COLLECTION - DWIGHT Lounge Seating

Designed for today's healthcare facilities

Two and Three Seaters with half arms

Standard Features

- Separate seat and back
- Wood components in Beech, in any of 9 standard stains or stain-to-match at no upcharge
- Fully welded frame with 1.625" steel legs
- Frame in any Spectone color
- Glides
- Velcro removable back covers
- Replaceable seats
- Arms replaceable in the field
- Use in connected layouts at no upcharge
- Ships assembled as 1, 2 or 3 seaters
- Ships 1/carton 26 cu ft (2 seater),
1/carton 39 cu ft (3 seater)

Contact Spec Customer Service to railroad fabrics (specify repeat info and yardage requirement will be provided) and for repeats greater than 5" x 5"

Options

- Wood or polyurethane arms, in flat (WF or PF) or rounded (WR or PR) profile
- Round polyurethane arms available in Black, Sterling Grey and Taupe (RAL 7006)
- Flat polyurethane arms available in Black only
- KYDEX® flat arms available in Black (B) or Taupe RAL 7006 (T) or Sterling Grey (G)
- Add 2.5" to back for overall height of 36.25", add \$45 List/single seat
- Connected and freestanding tables
- 3" clear Cooper Leg Guard, add \$11 List/leg (not available with Textured paint)
- Antibacterial and antimicrobial fabrics available
- Different fabric on seat and back at no upcharge
- CAL 133



Two Seater with half arms

COM 3.5 yds
0.75 yd COM per single seat
1.0 yd COM per single back

MODEL	COM	GR 1	GR 2	GR 3	GR 4	GR 5	GR 6
6112M	1841	2009	2067	2179	2346	2477	2645

Dimensions (inches)

seat H	18.0	seat W	21.0	arm H	25.0
total H	33.75	total W	48.0	depth	25.0

For KYDEX® flat arms add suffix K and \$384
Dynamic load tested to 750 lbs per two seater
CAL 133, add \$224 List per two seater



6112M
51 lbs

Three Seater with half arms

COM 5.25 yds
0.75 yd COM per single seat
1.0 yd COM per single back

MODEL	COM	GR 1	GR 2	GR 3	GR 4	GR 5	GR 6
6113M	2688	2941	3024	3193	3448	3639	3893

Dimensions (inches)

seat H	18.0	seat W	21.0	arm H	25.0
total H	33.75	total W	70.5	depth	25.0

For KYDEX® flat arms add suffix K and \$448
Dynamic load tested to 1000 lbs per three seater
CAL 133, add \$336 List per three seater



6113M
75 lbs



COOPER COLLECTION - DWIGHT Lounge Seating

Designed for today's healthcare facilities
Two and Three Seaters with full arms

Standard Features

- Separate seat and back
- Wood components in Beech, in any of 9 standard stains or stain-to-match at no upcharge
- Fully welded frame with 1.625" steel legs
- Frame in any Spectone color
- Glides
- Velcro removable back covers
- Replaceable seats
- Arms replaceable in the field
- Use in connected layouts at no upcharge
- Ships assembled as 1, 2 or 3 seaters
- Ships 1/carton 26 cu ft (2 seater),
1/carton 39 cu ft (3 seater)

Contact Spec Customer Service to railroad fabrics (specify repeat info and yardage requirement will be provided) and for repeats greater than 5" x 5"

Options

- Wood or polyurethane arms, in flat (WF or PF) or rounded (WR or PR) profile
- Round polyurethane arms available in Black, Sterling Grey and Taupe (RAL 7006)
- Flat polyurethane arms available in Black only
- KYDEX® flat arms available in Black (B) or Taupe RAL 7006 (T) or Sterling Grey (G)
- Add 2.5" to back for overall height of 36.25", add \$45 List/single seat
- Connected and freestanding tables
- 3" clear Cooper Leg Guard, add \$11 List/leg (not available with Textured paint)
- Antibacterial and antimicrobial fabrics available
- Different fabric on seat and back at no upcharge
- CAL 133



Two Seater with full arms

COM 3.5 yds
0.75 yd COM per single seat
1.0 yd COM per single back

MODEL	COM	GR 1	GR 2	GR 3	GR 4	GR 5	GR 6
6122M	1841	2009	2067	2179	2346	2477	2645

Dimensions (inches)
seat H 18.0 seat W 21.0 arm H 25.0
total H 33.75 total W 48.5 depth 25.0

For KYDEX® flat arms add suffix K and \$384
Dynamic load tested to 750 lbs per two seater
CAL 133, add \$224 List per two seater



6122M
51 lbs

Three Seater with full arms

COM 5.25 yds
0.75 yd COM per single seat
1.0 yd COM per single back

MODEL	COM	GR 1	GR 2	GR 3	GR 4	GR 5	GR 6
6123M	2688	2941	3024	3193	3448	3639	3893

Dimensions (inches)
seat H 18.0 seat W 21.0 arm H 25.0
total H 33.75 total W 70.5 depth 25.0

For KYDEX® flat arms add suffix K and \$512
Dynamic load tested to 1000 lbs per three seater
CAL 133, add \$336 List per three seater



6123M
75 lbs



COOPER COLLECTION - DWIGHT Lounge Seating

Designed for today's healthcare facilities

Loveseat with arms

Standard Features

- Separate seat and back
- Wood components in Beech, in any of 9 standard stains or stain-to-match at no upcharge
- Fully welded frame with 1.625" steel legs
- Frame in any Spectone color
- Glides
- Velcro removable back covers
- Replaceable seats
- Arms replaceable in the field
- Use in connected layouts at no upcharge
- Ships assembled as 1, 2 or 3 seaters
- Ships 1/carton 20 cu ft

Options

- Wood or polyurethane arms, in flat (WF or PF) or rounded (WR or PR) profile
- Round polyurethane arms available in Black, Sterling Grey and Taupe (RAL 7006)
- Flat polyurethane arms available in Black only
- KYDEX® flat arms available in Black (B) or Taupe RAL 7006 (T) or Sterling Grey (G)
- Connected and freestanding tables
- 3" clear Cooper Leg Guard, add \$11 List/leg (not available with Textured paint)
- Antibacterial and antimicrobial fabrics available
- Different fabric on seat and back at no upcharge
- CAL 133

Contact Spec Customer Service to railroad fabrics (specify repeat info and yardage requirement will be provided) and for repeats greater than 5" x 5"



Loveseat with arms

COM 4.0 yds

2.0 yd COM per single seat

2.0 yd COM per single back

MODEL	COM	GR 1	GR 2	GR 3	GR 4	GR 5	GR 6
6101L	1561	1758	1822	1957	2150	2301	2499

Dimensions (inches)

seat H	18.0	seat W	42.0	arm H	25.0
total H	33.75	total W	44.75	depth	25.0

For KYDEX® flat arms add suffix K and \$256

Dynamic Load Tested to 750 lbs per chair

CAL 133, add \$172 List per chair



6101L
51 lbs



COOPER COLLECTION - DWIGHT Lounge Seating

Designed for today's healthcare facilities
Bariatric Single Seater with arms

Standard Features

- Separate seat and back
- Wood components in Beech, in any of 9 standard stains or stain-to-match at no upcharge
- Fully welded frame with 1.625" steel legs
- Frame in any Spectone color
- Glides
- Velcro removable back covers
- Replaceable seats
- Arms replaceable in the field
- Use in connected layouts at no upcharge
- Bariatric seating cannot connect to bariatric seating
- Ships assembled as 1, 2 or 3 seaters
- Ships 1/carton 20 cu ft

Options

- Wood or polyurethane arms, in flat (WF or PF) or rounded (WR or PR) profile
- Round polyurethane arms available in Black, Sterling Grey and Taupe (RAL 7006)
- Flat polyurethane arms available in Black only
- KYDEX® flat arms available in Black (B) or Taupe RAL 7006 (T) or Sterling Grey (G)
- Connected and freestanding tables
- 3" clear Cooper Leg Guard, add \$11 List/leg (not available with Textured paint)
- Antibacterial and antimicrobial fabrics available
- Different fabric on seat and back at no upcharge
- CAL 133

Contact Spec Customer Service to railroad fabrics (specify repeat info and yardage requirement will be provided) and for repeats greater than 5" x 5"



Bariatric Single Seater with arms

COM 3.0 yds

1.5 yd COM per single seat

1.5 yd COM per single back

MODEL	COM	GR 1	GR 2	GR 3	GR 4	GR 5	GR 6
6101G	1187	1357	1414	1525	1694	1822	1992

Dimensions (inches)

seat H	18.0	seat W	30.0	arm H	25.0
total H	33.75	total W	34.25	depth	25.0

For KYDEX® flat arms add suffix K and \$256

Dynamic Load Tested to 750 lbs per chair

CAL 133, add \$140 List per chair



6101G
34 lbs



COOPER COLLECTION - DWIGHT Lounge Seating

Designed for today's healthcare facilities

Highback Single Seater with arms – Ottoman and Headrest

Standard Features

- Separate seat and back
- Wood components in Beech, in any of 9 standard stains or stain-to-match at no upcharge
- Fully welded frame with 1.625" steel legs
- Frame in any Spectone color
- Glides
- Velcro removable back covers
- Replaceable seats
- Arms replaceable in the field
- Use in connected layouts at no upcharge
- Ships assembled as 1, 2 or 3 seaters
- Ships 1/carton 19 cu ft
- Ottoman ships 1/carton 5 cu ft

Options

- Wood or polyurethane arms, in flat (WF or PF) or rounded (WR or PR) profile
- Round polyurethane arms available in Black, Sterling Grey and Taupe (RAL 7006)
- Flat polyurethane arms available in Black only
- KYDEX® flat arms available in Black (B) or Taupe RAL 7006 (T) or Sterling Grey (G)
- Built-in headrest or removeable headrest with velcro strap
- Connected and freestanding tables
- 3" clear Cooper Leg Guard, add \$11 List/leg (not available with Textured paint)
- Antibacterial and antimicrobial fabrics available
- Different fabric on seat and back at no upcharge
- CAL 133

Contact Spec Customer Service to railroad fabrics (specify repeat info and yardage requirement will be provided) and for repeats greater than 5" x 5"



Highback Single Seater with arms

COM 2.5 yds
0.75 yd COM per single seat
1.75 yds COM per single back

MODEL	COM	GR 1	GR 2	GR 3	GR 4	GR 5	GR 6
6101H	1065	1199	1240	1331	1463	1563	1731

Dimensions (inches)

	seat H	18.0	seat W	21.0	arm H	25.0
total H	47.5	total W	25.25	depth	25.0	

For KYDEX® flat arms add suffix K and \$256

Dynamic load tested to 500 lbs per chair
CAL 133, add \$125 List per chair



6101H
35 lbs

Ottoman and Headrest

0.5 yd COM per ottoman
0.5 yd COM per headrest

MODEL	COM	GR 1	GR 2	GR 3	GR 4	GR 5	GR 6
6130F	434	466	478	500	534	560	603
60HR	64	74	86	94	108	118	135

Ottoman Dimensions (inches)

H	11.5	W	19.25	depth	12.25
---	------	---	-------	-------	-------

CAL 133, add \$51 List per ottoman / \$51 List per headrest



6130F
16 lbs



60HR
1 lbs



Pricing August 2017
Discount 57.7% from List prices



SIN 711-16

COOPER COLLECTION - DWIGHT Lounge Seating

Designed for today's healthcare facilities

Half Panel Arm

Options

To order half panel arms, add Z to model number, e.g. 6101Z

- Antibacterial and antimicrobial fabrics available
- CAL 133

Pricing is for one half panel arm, e.g. for a single seater chair with half panel arms, add two half panel arms to cost of chair

Contact Spec Customer Service to railroad fabrics (specify repeat info and yardage requirement will be provided) and for repeats greater than 5" x 5"



Half Panel Arm

COM 0.5 yds per half panel arm

MODEL	COM	GR 1	GR 2	GR 3	GR 4	GR 5	GR 6
Z	72	95	101	116	139	155	181

CAL 133, add \$39 List per half panel arm



1.5 lbs per half panel arm



COOPER COLLECTION - DWIGHT Lounge Seating

Designed for today's healthcare facilities
Easy Access Hip Single Seater with arms

Standard Features

- Separate seat and back
- Wood components in Beech, in any of 9 standard stains or stain-to-match at no upcharge
- Fully welded frame with 1.625" steel legs
- Frame in any Spectone color
- Glides
- Velcro removable back covers
- Replaceable seats
- Arms replaceable in the field
- 24" seat height, no seat pitch (level)
- Footrest which assists entering/exiting chair
- Ships assembled
- Ships 1/carton 19 cu ft

Options

- Wood or polyurethane arms, in flat (WF or PF) or rounded (WR or PR) profile
- Round polyurethane arms available in Black, Sterling Grey and Taupe (RAL 7006)
- Flat polyurethane arms available in Black only
- KYDEX® flat arms available in Black (B) or Taupe RAL 7006 (T) or Sterling Grey (G)
- 3" clear Cooper Leg Guard, add \$11 List/leg (not available with Textured paint)
- Antibacterial and antimicrobial fabrics available
- Different fabric on seat and back at no upcharge
- CAL 133

Contact Spec Customer Service to railroad fabrics (specify repeat info and yardage requirement will be provided) and for repeats greater than 5" x 5"



Easy Access Hip Single Seater with arms

COM 1.75 yds
0.75 yd COM per single seat
1.0 yd COM per single back

MODEL	COM	GR 1	GR 2	GR 3	GR 4	GR 5	GR 6
6101ME	1204	1289	1316	1373	1457	1521	1607

Dimensions (inches)

seat H	24.0	seat W	21.0	arm H	32.0
total H	46.0	total W	25.25	depth	25.0

For KYDEX® flat arms add suffix K and \$256

Dynamic Load Tested to 500 lbs per chair
CAL 133, add \$112 List per chair



6101ME
35 lbs



COOPER COLLECTION - DWIGHT Lounge Seating

Designed for today's healthcare facilities
Single and Two Seater Benches

Standard Features

- Wood components in Beech, in any of 9 standard stains or stain-to-match at no upcharge
- Fully welded frame with 1.625" steel legs
- Frame in any Spectone color
- Glides
- Use in connected layouts at no upcharge
- Arms replaceable in the field
- Replaceable seats
- Ships assembled as 1, 2 or 3 seaters
- Ships 1/carton 9 cu ft (single seater), 14 cu ft (2 seater), 21 cu ft (3 seater)

Options

- Bariatric benches available in Cooper Bala and Cooper Mission
- 3" clear Cooper Leg Guard, add \$11 List/leg (not available with Textured paint)
- Antibacterial and antimicrobial fabrics available
- CAL 133

Contact Spec Customer Service to railroad fabrics (specify repeat info and yardage requirement will be provided) and for repeats greater than 5" x 5"

Single Seater Bench

SIN 711-16

COM 1.0 yds
1.0 yd COM per single seat

MODEL	COM	GR 1	GR 2	GR 3	GR 4	GR 5	GR 6
6101B	613	668	686	724	779	820	894
<i>No arms</i>							
6101B	835	891	907	945	1000	1042	1121
<i>End arms (WF/WR or PF/PR)</i>							
Dimensions (inches)							
seat H	18.0	seat W	21.0	arm H	24.0	depth	26.25
total H	N/A	total W	24.25	total W	25.25		
		w/o arms		w/end arms			



6101B
22 lbs

Dynamic load tested to 500 lbs per bench
CAL 133, add \$51 List per bench

Two Seater Bench

SIN 711-17

COM 2.0 yds
1.0 yd COM per single seat

MODEL	COM	GR 1	GR 2	GR 3	GR 4	GR 5	GR 6
6102B	854	963	1000	1074	1184	1269	1409
<i>No arms</i>							
6102B	1075	1186	1224	1295	1408	1491	1634
<i>End arms (WF/WR or PF/PR)</i>							
6112B	1283	1393	1431	1503	1614	1699	1848
<i>Arms between and at ends (WF/WR or PF/PR)</i>							
Dimensions (inches)							
seat H	18.0	seat W	21.0	arm H	24.0	depth	26.25
total H	N/A	total W	45.25	total W	46.25		
		w/o arms		w/end arms			



6102B
41 lbs

Dynamic load tested to 750 lbs per two seat bench
CAL 133, add \$102 List per two seat bench



COOPER COLLECTION - DWIGHT Lounge Seating

Designed for today's healthcare facilities
Three Seater Bench

Standard Features

- Wood components in Beech, in any of 9 standard stains or stain-to-match at no upcharge
- Fully welded frame with 1.625" steel legs
- Frame in any Spectone color
- Glides
- Use in connected layouts at no upcharge
- Arms replaceable in the field
- Replaceable seats
- Ships assembled as 1, 2 or 3 seaters
- Ships 1/carton 9 cu ft (single seater), 14 cu ft (2 seater), 21 cu ft (3 seater)

Options

- Bariatric benches available in Cooper Bala and Cooper Mission
- 3" clear Cooper Leg Guard, add \$11 List/leg (not available with Textured paint)
- Antibacterial and antimicrobial fabrics available
- CAL 133

Contact Spec Customer Service to railroad fabrics (specify repeat info and yardage requirement will be provided) and for repeats greater than 5" x 5"



Three Seater Bench

COM 3.0 yds
1.0 yd COM per single seat

MODEL	COM	GR 1	GR 2	GR 3	GR 4	GR 5	GR 6
6103B	1150	1315	1370	1480	1646	1773	1977
<i>No arms</i>							
6103B	1373	1539	1594	1704	1871	1995	2207
<i>End arms (WF WR or PF PR)</i>							
6113B	1848	2013	2068	2179	2344	2471	2692
<i>Arms between and at ends (WF WR or PF PR)</i>							



6103B
60 lbs

Dimensions (inches)

seat H	18.0	seat W	21.0	arm H	24.0	depth	26.25
total H	N/A	total W	66.25	total W	67.25		
		w/o arms		w/end arms			

Dynamic load tested to 1000 lbs per three seat bench
CAL 133, add \$153 List per three seat bench





COOPER COLLECTION - DWIGHT Lounge Seating

Designed for today's healthcare facilities

Freestanding Lounge Tables – Corner and Spacer Connecting Tables

Standard Features

- Tops in laminate or veneer
- Select laminate tops from 15 standard laminates or choose any standard Wilsonart, Nevamar, Formica, Arborite and Pionite matte finish laminates at no upcharge.
- Freestanding lounge tables available with PVC Flat (PVF), 2mm (2MM) or hardwood (HB) edge
- Connecting table tops available with PVC Flat (PVF) edge, Self edge (SE) or hardwood (HB) edge
- 9 standard veneer and hardwood edge stains. Stain-to-match available at no upcharge.
- Steel legs and Beech table skirts
- Fully welded frame with 1.625" steel legs
- Frame in any Spectone color
- Tops utilize Nu Green earth friendly core
- Threaded replaceable glides
- 18" height

Options

- Non-standard laminates, contact Spec for pricing
- 3" clear Cooper Leg Guard, add \$11 List/leg (not available with Textured paint)
- Custom size spacer tables for restricted spaces
- Self edge available at same cost as PVC Flat (PVF) edge
- Other sizes may be available

Radius Corner Tables are recommended for open areas

Freestanding Lounge Tables

Model	Laminate PVF/SE/2MM	Laminate HB Edge	Veneer HB Edge	Weight	Cu.Ft.
61 - 24 x 24 SQ	596	778	922	47	7.2
61 - 24 x 48 RE	747	947	1150	64	18
61 - 30 x 30 SQ	696	828	983	57	13.5
61 - 22 DIA	746	1082	1273	47	7.2



Corner and Spacer Connecting Tables

Model	Laminate PVF/SE	Laminate HB Edge	Veneer HB Edge	Weight	Cu.Ft.
61RC - 28 x 28 <i>Radius Corner Table</i>	777	1042	1221	42	2
61SC - 28 x 28 <i>Square Corner Table</i>	849	1031	1137	46	2
61TC - 45 degree <i>Corner Table</i>	777	1042	1221	40	2
61ST - 21 x 24 <i>Spacer Table</i>	527	744	852	27	2
61ET - 21 x 24 <i>End Table</i>	704	920	1030	37	2

