

# COOPER COLLECTION - DWIGHT Lounge Seating

## LAYOUTS

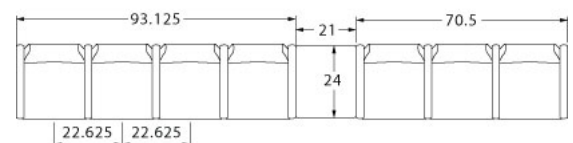
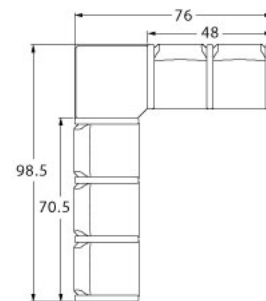
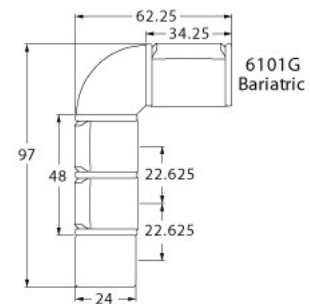


### Description

- Spec's Dwight offers a steel leg frame with elements of wood giving it a softer look and feel of wood, without sacrificing high durability.
- Your layout possibilities are unlimited with spacer, radius and corner tables – for both standard and bariatric seating in virtually any combination.
- Bariatric seating is a 30" wide seat and is load tested to 750 lbs. Cannot be connected to other bariatric seats.
- 21" seat width is standard.
- Standard in European Beech in any of 9 standard stains or stain-to-match at no upcharge.
- Choice of wood or polyurethane arms in flat (WF or PF) or rounded (WR or PR) profile.
- Arms are replaceable in the field.
- All models offer a choice of no center arms, half arms or full arms to the floor.
- Glides and separate seat and back are standard.
- Please send a drawing of the configuration you require with your order.
- For fabrics you wish railroaded or repeats larger than 5" x 5", please contact the factory with repeat information and yardage requirement will be provided.



### LAYOUTS AND DIMENSIONS



# COOPER COLLECTION - DWIGHT Lounge Seating



## PRODUCT CODE

**6 1 2 3 M - WR**

**Collection**

6 : Cooper

**Series**

1 : Dwight

**Center Arm**

0 : Outside Arms  
 1 : Half Arms  
 2 : Full Arms

**Number of Seats**

1 : Single Seater  
 2 : Two Seater  
 3 : Three Seater

**Chair Type**

M : Mid Back  
 H : Highback  
 L : Loveseat  
 G : Bariatric  
 ME : Hip Chair  
 B : Bench

**Arm Type**

WF : Wood Flat Profile  
 WR : Wood Round Profile  
 PF : Poly Flat Profile  
 PR : Poly Round Profile  
 K : KYDEX® Flat Profile



## OPTIONS

**ARM TYPE**



Polyurethane

Wood

KYDEX®

**PANEL ARMS**



Half Panel Arms

## FINISHES

**FRAME**



Select from one of our 76 standard Spectone colors

**FABRIC**



Select fabrics from one of our textile partners

**ARMS**



Black

Sterling Grey

Taupe

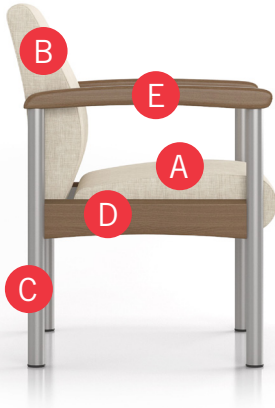
Select from one of our 9 standard wood stains or stain-to-match at no upcharge

See Spectone Card or [specfurniture.com/materials/finishes](http://specfurniture.com/materials/finishes) for a complete list of finish options and colors.



# COOPER COLLECTION - DWIGHT Lounge Seating

## HOW TO ORDER



### Specify Model

- A** Specify Fabric - Seat<sup>1</sup>  
*Manufacturer, Pattern Name, Color*
- B** Specify Fabric - Back<sup>1</sup>  
*Manufacturer, Pattern Name, Color*
- C** Specify Frame Finish
- D** Specify Side Rail Finish
- E** Specify Arm Type, Profile and Color  
Polyurethane (Flat or Round) / Wood (Flat or Round) / KYDEX® (\$) (Flat)

Optional: KYDEX® Arm, CAL 133, Moisture Barrier, Half Panel Arms, Connecting and Freestanding Tables, Benches, Ottoman, Vinyl Headrest Insert

<sup>1</sup> When multiple fabrics are specified on two and three seat chairs, please provide a drawing and legend for fabric placement.



Model	Fabric - Seat	Fabric - Back	Frame Finish	Side Rail Finish	Arm Type, Profile and Color
6101M	Momentum, Beeline, Canvas	Momentum, Beeline, Canvas	Silver	Studio Teak Stain	Wood, Round, Studio Teak Stain



# COOPER COLLECTION - DWIGHT Lounge Seating

Designed for today's healthcare facilities  
Single Seater with arms

## Standard Features

- Separate seat and back
- Wood components in Beech, in any of 9 standard stains or stain-to-match at no upcharge
- Fully welded frame with 1.625" steel legs
- Frame in any Spectone color
- Glides
- Velcro removable back covers
- Replaceable seats
- Arms replaceable in the field
- Use in connected layouts at no upcharge
- Ships assembled
- Ships 1/carton 15 cu ft

## Options

- Wood or polyurethane arms, in flat (WF or PF) or rounded (WR or PR) profile
- Round polyurethane arms available in Black, Sterling Grey and Taupe (RAL 7006)
- Flat polyurethane arms available in Black only
- KYDEX® flat arms available in Black (B) or Taupe RAL 7006 (T) or Sterling Grey (G)
- Connected and freestanding tables
- Antibacterial and antimicrobial fabrics available
- Different fabric on seat and back at no upcharge
- CAL 133

Contact Spec Customer Service to railroad fabrics (specify repeat info and yardage requirement will be provided) and for repeats greater than 5" x 5"



## Single Seater with arms

COM 1.75 yds  
0.75 yd COM per single seat  
1.0 yd COM per single back

MODEL	COM	GR 1	GR 2	GR 3	GR 4	GR 5	GR 6
<b>6101M</b>	<b>1067</b>	<b>1156</b>	<b>1186</b>	<b>1247</b>	<b>1336</b>	<b>1406</b>	<b>1497</b>

Dimensions (inches)

seat H	18.0	seat W	21.0	arm H	25.0
total H	33.75	total W	25.25	depth	25.0

**For KYDEX® flat arms add suffix K and \$274**

Dynamic load tested to 500 lbs per chair  
CAL 133, add \$120 List per chair



**6101M**  
40 lbs



# COOPER COLLECTION - DWIGHT Lounge Seating

Designed for today's healthcare facilities  
Two and Three Seaters with outside arms

## Standard Features

- Separate seat and back
- Wood components in Beech, in any of 9 standard stains or stain-to-match at no upcharge
- Fully welded frame with 1.625" steel legs
- Frame in any Spectone color
- Glides
- Velcro removable back covers
- Replaceable seats
- Arms removable in the field
- Use in connected layouts at no upcharge
- Ships assembled
- Ships 1/carton 26 cu ft (2 seater),  
1/carton 39 cu ft (3 seater)

## Options

- Wood or polyurethane arms, in flat (WF or PF) or rounded (WR or PR) profile
- Round polyurethane arms available in Black, Sterling Grey and Taupe (RAL 7006)
- Flat polyurethane arms available in Black only
- KYDEX® flat arms available in Black (B) or Taupe RAL 7006 (T) or Sterling Grey (G)
- Connected and freestanding tables
- Antibacterial and antimicrobial fabrics available
- Different fabric on seat and back at no upcharge
- CAL 133

Contact Spec Customer Service to railroad fabrics (specify repeat info and yardage requirement will be provided) and for repeats greater than 5" x 5"



## Two Seater with outside arms

COM 3.5 yds  
0.75 yd COM per single seat  
1.0 yd COM per single back

MODEL	COM	GR 1	GR 2	GR 3	GR 4	GR 5	GR 6
<b>6102M</b>	<b>1546</b>	<b>1727</b>	<b>1788</b>	<b>1908</b>	<b>2090</b>	<b>2228</b>	<b>2407</b>

Dimensions (inches)  
seat H 18.0 seat W 21.0 arm H 25.0  
total H 33.75 total W 46.5 depth 25.0

**For KYDEX® flat arms add suffix K and \$274**  
Dynamic load tested to 750 lbs per two seater  
CAL 133, add \$240 List per two seater



**6102M**  
66 lbs

## Three Seater with outside arms

COM 5.25 yds  
0.75 yd COM per single seat  
1.0 yd COM per single back

MODEL	COM	GR 1	GR 2	GR 3	GR 4	GR 5	GR 6
<b>6103M</b>	<b>2029</b>	<b>2302</b>	<b>2391</b>	<b>2571</b>	<b>2843</b>	<b>3050</b>	<b>3321</b>

Dimensions (inches)  
seat H 18.0 seat W 21.0 arm H 25.0  
total H 33.75 total W 67.5 depth 25.0

**For KYDEX® flat arms add suffix K and \$274**  
Dynamic load tested to 1000 lbs per three seater  
CAL 133, add \$360 List per three seater



**6103M**  
92 lbs



# COOPER COLLECTION - DWIGHT Lounge Seating

Designed for today's healthcare facilities

Two and Three Seaters with half arms

## Standard Features

- Separate seat and back
- Wood components in Beech, in any of 9 standard stains or stain-to-match at no upcharge
- Fully welded frame with 1.625" steel legs
- Frame in any Spectone color
- Glides
- Velcro removable back covers
- Replaceable seats
- Arms replaceable in the field
- Use in connected layouts at no upcharge
- Ships assembled
- Ships 1/carton 26 cu ft (2 seater), 1/carton 39 cu ft (3 seater)

## Options

- Wood or polyurethane arms, in flat (WF or PF) or rounded (WR or PR) profile
- Round polyurethane arms available in Black, Sterling Grey and Taupe (RAL 7006)
- Flat polyurethane arms available in Black only
- KYDEX® flat arms available in Black (B) or Taupe RAL 7006 (T) or Sterling Grey (G)
- Connected and freestanding tables
- Antibacterial and antimicrobial fabrics available
- Different fabric on seat and back at no upcharge
- CAL 133

Contact Spec Customer Service to railroad fabrics (specify repeat info and yardage requirement will be provided) and for repeats greater than 5" x 5"



## Two Seater with half arms

COM 3.5 yds  
0.75 yd COM per single seat  
1.0 yd COM per single back

MODEL	COM	GR 1	GR 2	GR 3	GR 4	GR 5	GR 6
<b>6112M</b>	<b>1972</b>	<b>2152</b>	<b>2214</b>	<b>2334</b>	<b>2513</b>	<b>2653</b>	<b>2833</b>

Dimensions (inches)  
seat H 18.0 seat W 21.0 arm H 25.0  
total H 33.75 total W 48.0 depth 25.0

**For KYDEX® flat arms add suffix K and \$411**  
Dynamic load tested to 750 lbs per two seater  
CAL 133, add \$240 List per two seater



**6112M**  
68 lbs

## Three Seater with half arms

COM 5.25 yds  
0.75 yd COM per single seat  
1.0 yd COM per single back

MODEL	COM	GR 1	GR 2	GR 3	GR 4	GR 5	GR 6
<b>6113M</b>	<b>2880</b>	<b>3150</b>	<b>3240</b>	<b>3421</b>	<b>3693</b>	<b>3898</b>	<b>4170</b>

Dimensions (inches)  
seat H 18.0 seat W 21.0 arm H 25.0  
total H 33.75 total W 70.5 depth 25.0

**For KYDEX® flat arms add suffix K and \$548**  
Dynamic load tested to 1000 lbs per three seater  
CAL 133, add \$360 List per three seater



**6113M**  
96 lbs



# COOPER COLLECTION - DWIGHT Lounge Seating

Designed for today's healthcare facilities

Two and Three Seaters with full arms

## Standard Features

- Separate seat and back
- Wood components in Beech, in any of 9 standard stains or stain-to-match at no upcharge
- Fully welded frame with 1.625" steel legs
- Frame in any Spectone color
- Glides
- Velcro removable back covers
- Replaceable seats
- Arms replaceable in the field
- Use in connected layouts at no upcharge
- Ships assembled
- Ships 1/carton 26 cu ft (2 seater), 1/carton 39 cu ft (3 seater)

## Options

- Wood or polyurethane arms, in flat (WF or PF) or rounded (WR or PR) profile
- Round polyurethane arms available in Black, Sterling Grey and Taupe (RAL 7006)
- Flat polyurethane arms available in Black only
- KYDEX® flat arms available in Black (B) or Taupe RAL 7006 (T) or Sterling Grey (G)
- Connected and freestanding tables
- Antibacterial and antimicrobial fabrics available
- Different fabric on seat and back at no upcharge
- CAL 133

Contact Spec Customer Service to railroad fabrics (specify repeat info and yardage requirement will be provided) and for repeats greater than 5" x 5"



## Two Seater with full arms

COM 3.5 yds  
0.75 yd COM per single seat  
1.0 yd COM per single back

MODEL	COM	GR 1	GR 2	GR 3	GR 4	GR 5	GR 6
<b>6122M</b>	<b>1972</b>	<b>2152</b>	<b>2214</b>	<b>2334</b>	<b>2513</b>	<b>2653</b>	<b>2833</b>

Dimensions (inches)

seat H	18.0	seat W	21.0	arm H	25.0
total H	33.75	total W	48.5	depth	25.0

**For KYDEX® flat arms add suffix K and \$411**  
Dynamic load tested to 750 lbs per two seater  
CAL 133, add \$240 List per two seater



**6122M**  
73 lbs

## Three Seater with full arms

COM 5.25 yds  
0.75 yd COM per single seat  
1.0 yd COM per single back

MODEL	COM	GR 1	GR 2	GR 3	GR 4	GR 5	GR 6
<b>6123M</b>	<b>2880</b>	<b>3150</b>	<b>3240</b>	<b>3421</b>	<b>3693</b>	<b>3898</b>	<b>4170</b>

Dimensions (inches)

seat H	18.0	seat W	21.0	arm H	25.0
total H	33.75	total W	70.5	depth	25.0

**For KYDEX® flat arms add suffix K and \$548**  
Dynamic load tested to 1000 lbs per three seater  
CAL 133, add \$360 List per three seater



**6123M**  
99 lbs



# COOPER COLLECTION - DWIGHT Lounge Seating

Designed for today's healthcare facilities

Loveseat with arms

## Standard Features

- Separate seat and back
- Wood components in Beech, in any of 9 standard stains or stain-to-match at no upcharge
- Fully welded frame with 1.625" steel legs
- Frame in any Spectone color
- Glides
- Velcro removable back covers
- Replaceable seats
- Arms replaceable in the field
- Use in connected layouts at no upcharge
- Ships assembled
- Ships 1/carton 20 cu ft

## Options

- Wood or polyurethane arms, in flat (WF or PF) or rounded (WR or PR) profile
- Round polyurethane arms available in Black, Sterling Grey and Taupe (RAL 7006)
- Flat polyurethane arms available in Black only
- KYDEX® flat arms available in Black (B) or Taupe RAL 7006 (T) or Sterling Grey (G)
- Connected and freestanding tables
- Antibacterial and antimicrobial fabrics available
- Different fabric on seat and back at no upcharge
- CAL 133

Contact Spec Customer Service to railroad fabrics (specify repeat info and yardage requirement will be provided) and for repeats greater than 5" x 5"



## Loveseat with arms

COM 4.0 yds  
2.0 yd COM per single seat  
2.0 yd COM per single back

MODEL	COM	GR 1	GR 2	GR 3	GR 4	GR 5	GR 6
<b>6101L</b>	<b>1672</b>	<b>1883</b>	<b>1952</b>	<b>2097</b>	<b>2304</b>	<b>2465</b>	<b>2677</b>

Dimensions (inches)

seat H	18.0	seat W	42.0	arm H	25.0
total H	33.75	total W	44.75	depth	25.0

**For KYDEX® flat arms add suffix K and \$274**

Dynamic Load Tested to 750 lbs per chair

CAL 133, add \$184 List per chair



**6101L**  
66 lbs





# COOPER COLLECTION - DWIGHT Lounge Seating

Designed for today's healthcare facilities  
Bariatric Single Seater with arms

## Standard Features

- Separate seat and back
- Wood components in Beech, in any of 9 standard stains or stain-to-match at no upcharge
- Fully welded frame with 1.625" steel legs
- Frame in any Spectone color
- Glides
- Velcro removable back covers
- Replaceable seats
- Arms replaceable in the field
- Use in connected layouts at no upcharge
- Bariatric seating cannot connect to bariatric seating
- Ships assembled
- Ships 1/carton 20 cu ft

## Options

- Wood or polyurethane arms, in flat (WF or PF) or rounded (WR or PR) profile
- Round polyurethane arms available in Black, Sterling Grey and Taupe (RAL 7006)
- Flat polyurethane arms available in Black only
- KYDEX® flat arms available in Black (B) or Taupe RAL 7006 (T) or Sterling Grey (G)
- Connected and freestanding tables
- Antibacterial and antimicrobial fabrics available
- Different fabric on seat and back at no upcharge
- CAL 133

Contact Spec Customer Service to railroad fabrics (specify repeat info and yardage requirement will be provided) and for repeats greater than 5" x 5"



## Bariatric Single Seater with arms

COM 3.0 yds  
1.5 yd COM per single seat  
1.5 yd COM per single back

MODEL	COM	GR 1	GR 2	GR 3	GR 4	GR 5	GR 6
<b>6101G</b>	<b>1272</b>	<b>1454</b>	<b>1514</b>	<b>1634</b>	<b>1815</b>	<b>1952</b>	<b>2134</b>

Dimensions (inches)

seat H	18.0	seat W	30.0	arm H	25.0
total H	33.75	total W	34.25	depth	25.0

**For KYDEX® flat arms add suffix K and \$274**

Dynamic Load Tested to 750 lbs per chair  
CAL 133, add \$150 List per chair



**6101G**  
47 lbs



# COOPER COLLECTION - DWIGHT Lounge Seating

Designed for today's healthcare facilities  
 Highback Single Seater with arms – Ottoman

## Standard Features

- Separate seat and back
- Wood components in Beech, in any of 9 standard stains or stain-to-match at no upcharge
- Fully welded frame with 1.625" steel legs
- Frame in any Spectone color
- Glides
- Velcro removable back covers
- Replaceable seats
- Arms replaceable in the field
- Use in connected layouts at no upcharge
- Ships assembled
- Ships 1/carton 19 cu ft
- Ottoman ships 1/carton 5 cu ft

## Options

- Wood or polyurethane arms, in flat (WF or PF) or rounded (WR or PR) profile
- Round polyurethane arms available in Black, Sterling Grey and Taupe (RAL 7006)
- Flat polyurethane arms available in Black only
- KYDEX® flat arms available in Black (B) or Taupe RAL 7006 (T) or Sterling Grey (G)
- Vinyl insert on top of the back, add \$44 List/seat back
- Connected and freestanding tables
- Antibacterial and antimicrobial fabrics available
- Different fabric on seat and back at no upcharge
- CAL 133

Contact Spec Customer Service to railroad fabrics (specify repeat info and yardage requirement will be provided) and for repeats greater than 5" x 5"



## Highback Single Seater with arms

COM 2.5 yds  
 0.75 yd COM per single seat  
 1.75 yds COM per single back

MODEL	COM	GR 1	GR 2	GR 3	GR 4	GR 5	GR 6
<b>6101H</b>	<b>1141</b>	<b>1284</b>	<b>1328</b>	<b>1426</b>	<b>1567</b>	<b>1674</b>	<b>1854</b>

Dimensions (inches)

	seat H	18.0	seat W	21.0	arm H	25.0
total H	47.5	total W	25.25	depth	25.0	

**For KYDEX® flat arms add suffix K and \$274**

Dynamic load tested to 500 lbs per chair  
 CAL 133, add \$134 List per chair



**6101H**  
43 lbs

## Ottoman

0.5 yd COM per ottoman

MODEL	COM	GR 1	GR 2	GR 3	GR 4	GR 5	GR 6
<b>6130F</b>	<b>465</b>	<b>499</b>	<b>512</b>	<b>536</b>	<b>572</b>	<b>600</b>	<b>646</b>

Ottoman Dimensions (inches)

H	11.5	W	19.25	depth	12.25
---	------	---	-------	-------	-------

CAL 133, add \$55 List



**6130F**  
16 lbs



# COOPER COLLECTION - DWIGHT Lounge Seating

Designed for today's healthcare facilities  
Half Panel Arm

### Options

To order half panel arms, add Z to model number, e.g. 6101Z

- Antibacterial and antimicrobial fabrics available
- CAL 133

**Pricing is for one half panel arm, e.g. for a single seater chair with half panel arms, add two half panel arms to cost of chair**

Contact Spec Customer Service to railroad fabrics (specify repeat info and yardage requirement will be provided) and for repeats greater than 5" x 5"




---

## Half Panel Arm

---

COM 0.5 yds per half panel arm

MODEL	COM	GR 1	GR 2	GR 3	GR 4	GR 5	GR 6
<b>Z</b>	<b>77</b>	<b>102</b>	<b>108</b>	<b>124</b>	<b>149</b>	<b>166</b>	<b>193</b>

CAL 133, add \$42 List per half panel arm



1.5 lbs per half panel arm

---



# COOPER COLLECTION - DWIGHT Lounge Seating

Designed for today's healthcare facilities  
Easy Access Hip Single Seater with arms

## Standard Features

- Separate seat and back
- Wood components in Beech, in any of 9 standard stains or stain-to-match at no upcharge
- Fully welded frame with 1.625" steel legs
- Frame in any Spectone color
- Glides
- Velcro removable back covers
- Replaceable seats
- Arms replaceable in the field
- 24" seat height, no seat pitch (level)
- Footrest which assists entering/exiting chair
- Ships assembled
- Ships 1/carton 19 cu ft

## Options

- Wood or polyurethane arms, in flat (WF or PF) or rounded (WR or PR) profile
- Round polyurethane arms available in Black, Sterling Grey and Taupe (RAL 7006)
- Flat polyurethane arms available in Black only
- KYDEX® flat arms available in Black (B) or Taupe RAL 7006 (T) or Sterling Grey (G)
- Antibacterial and antimicrobial fabrics available
- Different fabric on seat and back at no upcharge
- CAL 133

Contact Spec Customer Service to railroad fabrics (specify repeat info and yardage requirement will be provided) and for repeats greater than 5" x 5"



## Easy Access Hip Single Seater with arms

COM 1.75 yds  
0.75 yd COM per single seat  
1.0 yd COM per single back

MODEL	COM	GR 1	GR 2	GR 3	GR 4	GR 5	GR 6
<b>6101ME</b>	<b>1290</b>	<b>1381</b>	<b>1409</b>	<b>1471</b>	<b>1561</b>	<b>1630</b>	<b>1721</b>

Dimensions (inches)

seat H	24.0	seat W	21.0	arm H	32.0
total H	46.0	total W	25.25	depth	25.0

**For KYDEX® flat arms add suffix K and \$274**

Dynamic Load Tested to 500 lbs per chair  
CAL 133, add \$120 List per chair



**6101ME**  
47 lbs



# COOPER COLLECTION - DWIGHT Lounge Seating

Designed for today's healthcare facilities  
Single and Two Seater Benches

## Standard Features

- Wood components in Beech, in any of 9 standard stains or stain-to-match at no upcharge
- Fully welded frame with 1.625" steel legs
- Frame in any Spectone color
- Glides
- Use in connected layouts at no upcharge
- Arms replaceable in the field
- Replaceable seats
- Ships assembled
- Ships 1/carton 9 cu ft (single seater), 14 cu ft (2 seater), 21 cu ft (3 seater)

## Options

- Antibacterial and antimicrobial fabrics available
- CAL 133

Contact Spec Customer Service to railroad fabrics (specify repeat info and yardage requirement will be provided) and for repeats greater than 5" x 5"

## Single Seater Bench

COM 1.0 yds  
1.0 yd COM per single seat

MODEL	COM	GR 1	GR 2	GR 3	GR 4	GR 5	GR 6
<b>6101B</b>	<b>656</b>	<b>716</b>	<b>735</b>	<b>776</b>	<b>834</b>	<b>879</b>	<b>958</b>
<i>No arms</i>							
<b>6101B</b>	<b>894</b>	<b>955</b>	<b>971</b>	<b>1012</b>	<b>1071</b>	<b>1116</b>	<b>1201</b>
<i>End arms (WF/WR or PF/PR)</i>							
Dimensions (inches)							
seat H	18.0	seat W	21.0	arm H	24.0	depth	26.25
total H	N/A	total W	24.25	total W	25.25		
		w/o arms		w/end arms			

Dynamic load tested to 500 lbs per bench  
CAL 133, add \$55 List per bench



**6101B**  
22 lbs

## Two Seater Bench

COM 2.0 yds  
1.0 yd COM per single seat

MODEL	COM	GR 1	GR 2	GR 3	GR 4	GR 5	GR 6
<b>6102B</b>	<b>915</b>	<b>1032</b>	<b>1071</b>	<b>1150</b>	<b>1269</b>	<b>1359</b>	<b>1509</b>
<i>No arms</i>							
<b>6102B</b>	<b>1151</b>	<b>1271</b>	<b>1311</b>	<b>1387</b>	<b>1508</b>	<b>1597</b>	<b>1750</b>
<i>End arms (WF/WR or PF/PR)</i>							
<b>6112B</b>	<b>1374</b>	<b>1492</b>	<b>1533</b>	<b>1610</b>	<b>1728</b>	<b>1820</b>	<b>1979</b>
<i>Arms between and at ends (WF/WR or PF/PR)</i>							
Dimensions (inches)							
seat H	18.0	seat W	21.0	arm H	24.0	depth	26.25
total H	N/A	total W	45.25	total W	46.25		
		w/o arms		w/end arms			

Dynamic load tested to 750 lbs per two seat bench  
CAL 133, add \$110 List per two seat bench



**6102B**  
41 lbs



# COOPER COLLECTION - DWIGHT Lounge Seating

Designed for today's healthcare facilities

Three Seater Bench

## Standard Features

- Wood components in Beech, in any of 9 standard stains or stain-to-match at no upcharge
- Fully welded frame with 1.625" steel legs
- Frame in any Spectone color
- Glides
- Use in connected layouts at no upcharge
- Arms replaceable in the field
- Replaceable seats
- Ships assembled
- Ships 1/carton 9 cu ft (single seater), 14 cu ft (2 seater), 21 cu ft (3 seater)

## Options

- Antibacterial and antimicrobial fabrics available
- CAL 133

Contact Spec Customer Service to railroad fabrics (specify repeat info and yardage requirement will be provided) and for repeats greater than 5" x 5"



## Three Seater Bench

COM 3.0 yds  
1.0 yd COM per single seat

MODEL	COM	GR 1	GR 2	GR 3	GR 4	GR 5	GR 6
<b>6103B</b>	<b>1232</b>	<b>1408</b>	<b>1467</b>	<b>1585</b>	<b>1763</b>	<b>1899</b>	<b>2117</b>
<i>No arms</i>							
<b>6103B</b>	<b>1471</b>	<b>1648</b>	<b>1708</b>	<b>1825</b>	<b>2004</b>	<b>2137</b>	<b>2364</b>
<i>End arms (WF/WR or PF/PR)</i>							
<b>6113B</b>	<b>1979</b>	<b>2156</b>	<b>2215</b>	<b>2334</b>	<b>2511</b>	<b>2647</b>	<b>2884</b>
<i>Arms between and at ends (WF/WR or PF/PR)</i>							



**6103B**  
60 lbs

Dimensions (inches)

seat H	18.0	seat W	21.0	arm H	24.0	depth	26.25
total H	N/A	total W	66.25	total W	67.25		
		w/o arms		w/end arms			

Dynamic load tested to 1000 lbs per three seat bench  
CAL 133, add \$165 List per three seat bench



## COOPER COLLECTION - DWIGHT Lounge Seating

Designed for today's healthcare facilities

Freestanding Lounge Tables – Corner and Spacer Connecting Tables

### Standard Features

- Tops in laminate or veneer
- Select laminate tops from 15 standard laminates or choose any standard Wilsonart, Nevamar, Formica, Arborite and Pionite matte finish laminates at no upcharge.
- Freestanding lounge tables available with PVC Flat (PVF), 2mm (2MM), exposed Baltic Birch plywood (PF, PKNR) or hardwood (HB) edge
- Connecting table tops available with PVC Flat (PVF) edge, Self edge (SE) or hardwood (HB) edge
- 9 standard veneer and hardwood edge stains. Stain-to-match available at no upcharge.
- Steel legs and Beech table skirts
- Frame in any Spectone color
- Tops utilize NU Green earth friendly core
- Threaded replaceable glides
- 18" height

### Options

- Non-standard laminates, contact Spec for pricing
- Custom size spacer tables for restricted spaces
- Self edge available at same cost as PVC Flat (PVF) edge
- Other sizes may be available

*Radius Corner Tables are recommended for open areas*

### Freestanding Lounge Tables

Model	Laminate PVF/SE/2MM	Laminate PF/PKNR/HB	Veneer HB	Weight	Cu.Ft.
61 - 24 x 24 SQ	<b>639</b>	<b>833</b>	<b>988</b>	47	7.2
61 - 24 x 48 RE	<b>800</b>	<b>1014</b>	<b>1232</b>	64	18
61 - 30 x 30 SQ	<b>746</b>	<b>887</b>	<b>1052</b>	57	13.5
61 - 22 DIA	<b>799</b>	<b>1159</b>	<b>1363</b>	47	7.2



### Corner and Spacer Connecting Tables

Model	Laminate PVF/SE	Laminate HB Edge	Veneer HB Edge	Weight	Cu.Ft.
61RC - 28 x 28 <i>Radius Corner Table</i>	<b>832</b>	<b>1116</b>	<b>1308</b>	42	2
61SC - 28 x 28 <i>Square Corner Table</i>	<b>909</b>	<b>1104</b>	<b>1218</b>	46	2
61TC - 45 degree <i>Corner Table</i>	<b>832</b>	<b>1116</b>	<b>1308</b>	40	2
61ST - 21 x 24 <i>Spacer Table</i>	<b>565</b>	<b>797</b>	<b>913</b>	27	2
61ET - 21 x 24 <i>End Table</i>	<b>754</b>	<b>986</b>	<b>1103</b>	37	2

