

COOPER COLLECTION - HUNTSVILLE Lounge Seating

LAYOUTS

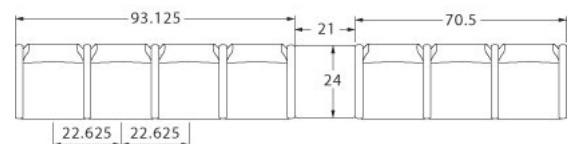
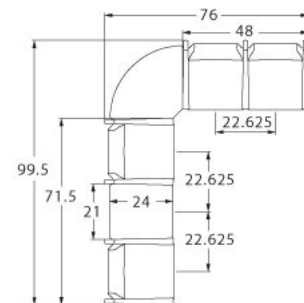
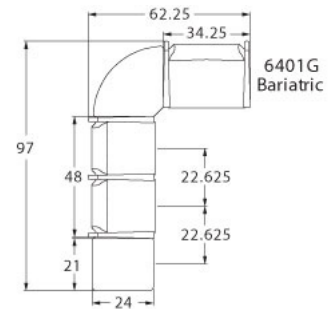


Description

- Spec's Huntsville offers the softer look and feel of wood, without sacrificing high durability.
- Your layout possibilities are unlimited with spacer, radius and corner tables – for both standard and bariatric seating in virtually any combination.
- Bariatric seating is a 30" wide seat and is load tested to 750 lbs. Cannot be connected to other bariatric seats.
- 21" seat width is standard.
- Standard in European Beech in any of 9 standard stains or stain-to-match at no upcharge.
- Choice of wood or polyurethane arms which are replaceable in the field.
- All models offer a choice of no center arms, half arms or full arms to the floor.
- Wall-saving frame is standard to protect both wall and fabric.
- Glides and separate seat and back are standard.
- Foam formulated to meet California Bulletin 133 standards is available.
- Please send a drawing of the configuration you require with your order.
- Ships assembled as one, two and three seater units.
- For fabrics you wish railroaded or repeats larger than 5" x 5", please contact the factory with repeat information and yardage requirement will be provided.



LAYOUTS AND DIMENSIONS



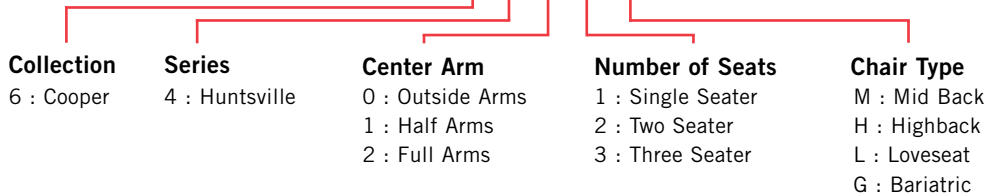
COOPER COLLECTION - HUNTSVILLE Lounge Seating



PLACING AN ORDER IS EASY

PRODUCT CODE

6 4 0 1 M



OPTIONS

ARM TYPE



Polyurethane and Wood
**This image does not represent actual product arm.*

SIDE PANEL



Half Panel Arms



Full Panel Arms

FINISHES

FRAME



Select from one of our 9 standard wood stains or stain-to-match at no upcharge

FABRIC



Select fabrics from one of our textile partners

ARMS



Black Wood*
*Wood arms are available in 9 standard stains or stain-to-match at no upcharge.



COOPER COLLECTION - HUNTSVILLE Lounge Seating

Designed for today's healthcare facilities
Single Seater with arms

Standard Features

- Separate seat and back
- Wood arms
- Wood components in Beech, in any of 9 standard stains or stain-to-match at no upcharge
- Wall-saving frame
- Velcro removable back covers
- Replaceable seats
- Threaded replaceable glides
- Use in connected layouts at no upcharge
- Ships assembled as 1, 2 or 3 seaters
- Ships 1/carton 15 cu ft

Options

- Rounded polyurethane arms, field-replaceable
- Add 2.5" to back for overall height of 36.25", add \$46 List/single seat
- Connected and freestanding tables
- 3" clear Cooper Leg Guard, add \$10 List/leg
- Antibacterial and antimicrobial fabrics available
- Different fabric on seat and back at no upcharge
- CAL 133

Contact Spec™ Customer Service to railroad fabrics (specify repeat info and yardage requirement will be provided) and for repeats greater than 5" x 5"



Single Seater with arms

COM 1.75 yds
0.75 yd COM per single seat
1.0 yd COM per single back

MODEL	COM	GR 1	GR 2	GR 3	GR 4	GR 5	GR 6
6401M	904	977	1001	1051	1125	1182	1255

For polyurethane arms add suffix P and \$124

Dimensions (inches)

seat H	18.0	seat W	21.0	arm H	25.0
total H	33.75	total W	25.25	depth	27.5

Exceeds BIFMA Seating Durability Test to 500 lbs per chair
CAL 133, add \$106 List per seat



6401M
27 lbs

COOPER COLLECTION - HUNTSVILLE Lounge Seating

Designed for today's healthcare facilities
Two and Three Seaters with outside arms

Standard Features

- Separate seat and back
- Wood arms
- Wood components in Beech, in any of 9 standard stains or stain-to-match at no upcharge
- Wall-saving frame
- Velcro removable back covers
- Replaceable seats
- Threaded replaceable glides
- Use in connected layouts at no upcharge
- Ships assembled as 1, 2 or 3 seaters
- Ships 1/carton 26 cu ft (2 seater), 1/carton 39 cu ft (3 seater)

Options

- Rounded polyurethane arms, field-replaceable
- Add 2.5" to back for overall height of 36.25", add \$46 List/single seat
- Connected and freestanding tables
- 3" clear Cooper Leg Guard, add \$10 List/leg
- Antibacterial and antimicrobial fabrics available
- Different fabric on seat and back at no upcharge
- CAL 133

Contact Spec Customer Service to railroad fabrics (specify repeat info and yardage requirement will be provided) and for repeats greater than 5" x 5"



Two Seater with outside arms

COM 3.5 yds
0.75 yd COM per single seat
1.0 yd COM per single back

MODEL	COM	GR 1	GR 2	GR 3	GR 4	GR 5	GR 6
6402M	1297	1443	1492	1590	1738	1851	1998

For polyurethane arms add suffix P and \$124

Dimensions (inches)

seat H	18.0	seat W	21.0	arm H	25.0
total H	33.75	total W	46.5	depth	27.5

Exceeds BIFMA Seating Durability Test to 750 lbs per two seater
CAL 133, add \$212 List per two seater



6402M
51 lbs

Three Seater with outside arms

COM 5.25 yds
0.75 yd COM per single seat
1.0 yd COM per single back

MODEL	COM	GR 1	GR 2	GR 3	GR 4	GR 5	GR 6
6403M	1689	1911	1985	2132	2354	2521	2743

For polyurethane arms add suffix P and \$124

Dimensions (inches)

seat H	18.0	seat W	21.0	arm H	25.0
total H	33.75	total W	67.5	depth	27.5

Exceeds BIFMA Seating Durability Test to 1000 lbs three seater
CAL 133, add \$318 List per three seater



6403M
75 lbs

COOPER COLLECTION - HUNTSVILLE Lounge Seating

Designed for today's healthcare facilities

Two and Three Seaters with half arms

Standard Features

- Separate seat and back
- Wood arms
- Wood components in Beech, in any of 9 standard stains or stain-to-match at no upcharge
- Wall-saving frame
- Velcro removable back covers
- Replaceable seats
- Threaded replaceable glides
- Use in connected layouts at no upcharge
- Ships assembled as 1, 2 or 3 seaters
- Ships 1/carton 26 cu ft (2 seater), 1/carton 39 cu ft (3 seater)

Options

- Rounded polyurethane arms, field-replaceable
- Add 2.5" to back for overall height of 36.25", add \$46 List/single seat
- Connected and freestanding tables
- 3" clear Cooper Leg Guard, add \$10 List/leg
- Antibacterial and antimicrobial fabrics available
- Different fabric on seat and back at no upcharge
- CAL 133

Contact Spec Customer Service to railroad fabrics (specify repeat info and yardage requirement will be provided) and for repeats greater than 5" x 5"



Two Seater with half arms

COM 3.5 yds
0.75 yd COM per single seat
1.0 yd COM per single back

MODEL	COM	GR 1	GR 2	GR 3	GR 4	GR 5	GR 6
6412M	1673	1819	1869	1966	2114	2227	2374

For polyurethane arms add suffix P and \$186

Dimensions (inches)

seat H	18.0	seat W	21.0	arm H	25.0
total H	33.75	total W	48.0	depth	27.5

Exceeds BIFMA Seating Durability Test to 750 lbs per two seater
CAL 133, add \$212 List per two seater



6412M
51 lbs

Three Seater with half arms

COM 5.25 yds
0.75 yd COM per single seat
1.0 yd COM per single back

MODEL	COM	GR 1	GR 2	GR 3	GR 4	GR 5	GR 6
6413M	2440	2663	2735	2883	3103	3272	3494

For polyurethane arms add suffix P and \$248

Dimensions (inches)

seat H	18.0	seat W	21.0	arm H	25.0
total H	33.75	total W	70.5	depth	27.5

Exceeds BIFMA Seating Durability Test to 1000 lbs per three seater
CAL 133, add \$318 List per three seater



6413M
75 lbs



COOPER COLLECTION - HUNTSVILLE Lounge Seating

Designed for today's healthcare facilities

Two and Three Seaters with full arms

Standard Features

- Separate seat and back
- Wood arms
- Wood components in Beech, in any of 9 standard stains or stain-to-match at no upcharge
- Wall-saving frame
- Velcro removable back covers
- Replaceable seats
- Threaded replaceable glides
- Use in connected layouts at no upcharge
- Ships assembled as 1, 2 or 3 seaters
- Ships 1/carton 26 cu ft (2 seater), 1/carton 39 cu ft (3 seater)

Options

- Rounded polyurethane arms, field-replaceable
- Add 2.5" to back for overall height of 36.25", add \$46 List/single seat
- Connected and freestanding tables
- 3" clear Cooper Leg Guard, add \$10 List/leg
- Antibacterial and antimicrobial fabrics available
- Different fabric on seat and back at no upcharge
- CAL 133

Contact Spec Customer Service to railroad fabrics (specify repeat info and yardage requirement will be provided) and for repeats greater than 5" x 5"



Two Seater with full arms

COM 3.5 yds
0.75 yd COM per single seat
1.0 yd COM per single back

MODEL	COM	GR 1	GR 2	GR 3	GR 4	GR 5	GR 6
6422M	1673	1819	1869	1966	2114	2227	2374

For polyurethane arms add suffix P and \$186

Dimensions (inches)

seat H	18.0	seat W	21.0	arm H	25.0
total H	33.75	total W	48.0	depth	27.5

Exceeds BIFMA Seating Durability Test to 750 lbs per two seater
CAL 133, add \$212 List per two seater



6422M
51 lbs

Three Seater with full arms

COM 5.25 yds
0.75 yd COM per single seat
1.0 yd COM per single back

MODEL	COM	GR 1	GR 2	GR 3	GR 4	GR 5	GR 6
6423M	2440	2663	2735	2883	3103	3272	3494

For polyurethane arms add suffix P and \$248

Dimensions (inches)

seat H	18.0	seat W	21.0	arm H	25.0
total H	33.75	total W	70.5	depth	27.5

Exceeds BIFMA Seating Durability Test to 1000 lbs per three seater
CAL 133, add \$318 List per three seater



6423M
75 lbs



COOPER COLLECTION - HUNTSVILLE Lounge Seating

Designed for today's healthcare facilities

Loveseat with arms

Standard Features

- Separate seat and back
- Wood arms
- Wood components in Beech, in any of 9 standard stains or stain-to-match at no upcharge
- Wall-saving frame
- Velcro removable back covers
- Replaceable seats
- Threaded replaceable glides
- Use in connected layouts at no upcharge
- Ships assembled as 1, 2 or 3 seaters
- Ships 1/carton 20 cu ft

Options

- Rounded polyurethane arms, field-replaceable
- Connected and freestanding tables
- 3" clear Cooper Leg Guard, add \$10 List/leg
- Antibacterial and antimicrobial fabrics available
- Different fabric on seat and back at no upcharge
- CAL 133

Contact Spec Customer Service to railroad fabrics (specify repeat info and yardage requirement will be provided) and for repeats greater than 5" x 5"



Loveseat with arms

COM 4.0 yds
2.0 yd COM per single seat
2.0 yd COM per single back

MODEL	COM	GR 1	GR 2	GR 3	GR 4	GR 5	GR 6
6401L	1404	1578	1636	1750	1922	2051	2225

For polyurethane arms add suffix P and \$124

Dimensions (inches)

seat H	18.0	seat W	42.0	arm H	25.0
total H	33.75	total W	44.75	depth	27.5

Exceeds BIFMA Seating Durability Test to 750 lbs per chair
CAL 133, add \$160 List per chair



6401L
51 lbs



COOPER COLLECTION - HUNTSVILLE Lounge Seating

Designed for today's healthcare facilities
Bariatric Single Seater with arms

Standard Features

- Separate seat and back
- Wood arms
- Wood components in Beech, in any of 9 standard stains or stain-to-match at no upcharge
- Wall-saving frame
- Velcro removable back covers
- Replaceable seats
- Threaded replaceable glides
- Use in connected layouts at no upcharge
- Bariatric seating cannot connect to bariatric seating
- Ships assembled as 1, 2 or 3 seaters
- Ships 1/carton 20 cu ft

Options

- Rounded polyurethane arms, field-replaceable
- Connected and freestanding tables
- 3" clear Cooper Leg Guard, add \$10 List/leg
- Antibacterial and antimicrobial fabrics available
- Different fabric on seat and back at no upcharge
- CAL 133

Contact Spec Customer Service to railroad fabrics (specify repeat info and yardage requirement will be provided) and for repeats greater than 5" x 5"



Bariatric Single Seater with arms

COM 3.0 yds
1.5 yd COM per single seat
1.5 yd COM per single back

MODEL	COM	GR 1	GR 2	GR 3	GR 4	GR 5	GR 6
6401G	1072	1218	1269	1367	1514	1627	1774

For polyurethane arms add suffix P and \$124

Dimensions (inches)

seat H	18.0	seat W	30.0	arm H	25.0
total H	33.75	total W	34.25	depth	27.5

Exceeds BIFMA Seating Durability Test to 750 lbs per chair
CAL 133, add \$128 List per chair



6401G
34 lbs



COOPER COLLECTION - HUNTSVILLE Lounge Seating

Designed for today's healthcare facilities
 Highback Single Seater with arms – Ottoman and Headrest

Standard Features

- Separate seat and back
- Wood arms
- Wood components in Beech, in any of 9 standard stains or stain-to-match at no upcharge
- Use in connected layouts at no upcharge
- Velcro removable back covers
- Replaceable seats
- Arms replaceable in the field
- Ships assembled as 1, 2 or 3 seaters
- Ships 1/carton 19 cu ft
- Ottoman ships 1/carton 5 cu ft

Options

- Rounded polyurethane arms, field-replaceable
- Built-in headrest or removable headrest with velcro strap
- Connected and freestanding tables
- 3" clear Cooper Leg Guard, add \$10 List/leg
- Antibacterial and antimicrobial fabrics available
- Different fabric on seat and back at no upcharge
- CAL 133

Contact Spec Customer Service to railroad fabrics (specify repeat info and yardage requirement will be provided) and for repeats greater than 5" x 5"



Highback Single Seater with arms

COM 2.5 yds
 0.75 yd COM per single seat
 1.75 yds COM per single back

MODEL	COM	GR 1	GR 2	GR 3	GR 4	GR 5	GR 6
6401H	984	1102	1140	1220	1336	1427	1544

For polyurethane arms add suffix P and \$124

Dimensions (inches)

seat H	18.0	seat W	21.0	arm H	25.0
total H	47.5	total W	25.5	depth	27.5

Exceeds BIFMA Seating Durability Test to 500 lbs per chair
 CAL 133, add \$116 List per chair



6401H
35 lbs

Ottoman and Headrest

0.5 yd COM per ottoman
 0.5 yd COM per headrest

MODEL	COM	GR 1	GR 2	GR 3	GR 4	GR 5	GR 6
6430F	445	476	485	505	536	557	587
60HR	59	71	74	84	96	106	117

Ottoman Dimensions (inches)

H	11.5	W	19.25	depth	12.25
---	------	---	-------	-------	-------

CAL 133, add \$47 List per ottoman / \$47 per headrest



6430F
16 lbs



60HR
1 lbs



COOPER COLLECTION - HUNTSVILLE Lounge Seating

Designed for today's healthcare facilities
Half and Full Panel Arms

Options

- Antibacterial and antimicrobial fabrics available
- CAL 133

To order half panel arms, add Z to model number, e.g. 6401Z

To order full panel arms, add ZC to model number, e.g. 6401ZC

Pricing is for one half panel arm, e.g. for a single seater chair with half panel arms, add two half panel arms to cost of chair

Contact Spec Customer Service to railroad fabrics (specify repeat info and yardage requirement will be provided) and for repeats greater than 5" x 5"



Half & Full Panel Arms

COM 0.5 yds per half panel arm

MODEL	COM	GR 1	GR 2	GR 3	GR 4	GR 5	GR 6
Z	64	85	91	105	122	140	159

COM 0.75 yds per full panel arm

MODEL	COM	GR 1	GR 2	GR 3	GR 4	GR 5	GR 6
ZC	118	158	168	195	230	260	285

CAL 133, add \$38 List per half panel arm/ \$74 List per full panel arm



1.5 lbs per half panel arm



3 lbs per full panel arm

COOPER COLLECTION - HUNTSVILLE Lounge Seating

Designed for today's healthcare facilities

Freestanding Lounge Tables – Corner and Spacer Connecting Tables

Standard Features

- Tops in laminate or veneer
- Select laminate tops from 15 standard laminates or choose any standard Wilsonart, Nevamar, Formica, Arborite and Pionite matte finish laminates at no upcharge.
- Freestanding lounge tables available with PVC Flat (PVF), 2mm (2MM) or hardwood (HB) edge
- Connecting table tops available with PVC Flat (PVF) edge, Self edge (SE) or hardwood (HB) edge
- 9 standard veneer and hardwood edge stains. Stain-to-match available at no upcharge.
- Beech legs and Beech table skirts stained the same
- Threaded replaceable glides
- Tops utilize Nu Green earth friendly core
- 18" height

Options

- Non-standard laminates, contact Spec for pricing
- 3" clear Cooper Leg Guard, add \$10 List/leg
- Custom size spacer tables for restricted spaces
- Other sizes may be available

Radius Corner Tables are recommended for open areas



Freestanding Lounge Tables

Model	Laminate PVF/SE/2MM	Laminate HB Edge	Veneer HB Edge	Weight	Cu.Ft.
64 - 24 x 24 SQ	734	895	1021	47	7.2
64 - 24 x 48 RE	869	1042	1219	64	18
64 - 30 x 30 SQ	823	939	1075	57	13.5
64 - 22 DIA	881	1172	1341	47	7.2



Corner and Spacer Connecting Tables

Model	Laminate PVF/SE	Laminate HB Edge	Veneer HB Edge	Weight	Cu.Ft.
64RC - 28 x 28 <i>Radius Corner Table</i>	719	993	1164	42	2
64SC - 28 x 28 <i>Square Corner Table</i>	787	955	1054	46	2
64TC - 45 degree <i>Corner Table</i>	719	993	1164	40	2
64ST - 21 x 24 <i>Spacer Table</i>	488	690	790	27	2
64ET - 21 x 24 <i>End Table</i>	652	853	954	37	2

