

COOPER COLLECTION - HUNTSVILLE Lounge Seating

LAYOUTS

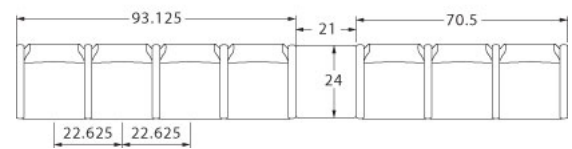
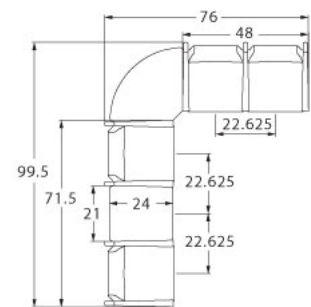
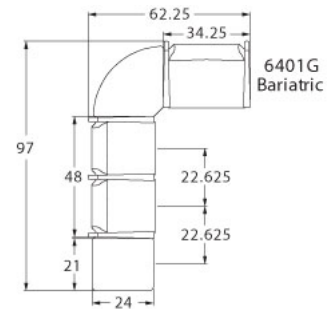


Description

- Spec's Huntsville offers the softer look and feel of wood, without sacrificing high durability.
- Your layout possibilities are unlimited with spacer, radius and corner tables – for both standard and bariatric seating in virtually any combination.
- Bariatric seating is a 30" wide seat and is load tested to 750 lbs. Cannot be connected to other bariatric seats.
- 21" seat width is standard.
- Standard in European Beech in any of 9 standard stains or stain-to-match at no upcharge.
- Choice of wood or polyurethane arms which are replaceable in the field.
- All models offer a choice of no center arms, half arms or full arms to the floor.
- Wall-saving frame is standard to protect both wall and fabric.
- Glides and separate seat and back are standard.
- Please send a drawing of the configuration you require with your order.
- For fabrics you wish railroaded or repeats larger than 5" x 5", please contact the factory with repeat information and yardage requirement will be provided.



LAYOUTS AND DIMENSIONS





Pricing March 1, 2019
Discount 57.7% from List prices



COOPER COLLECTION - HUNTSVILLE Lounge Seating



PRODUCT CODE

6 4 0 1 M

Collection	Series	Center Arm	Number of Seats	Chair Type
6 : Cooper	4 : Huntsville	0 : Outside Arms 1 : Half Arms 2 : Full Arms	1 : Single Seater 2 : Two Seater 3 : Three Seater	M : Midback H : Highback L : Loveseat G : Bariatric



OPTIONS

ARM TYPE



Polyurethane or Wood
**This image does not represent actual product arm.*

PANEL ARMS



Half Panel Arms



Full Panel Arms

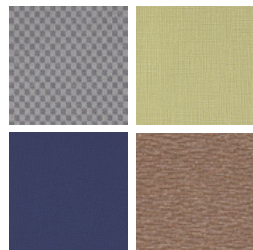
FINISHES

FRAME



Select from one of our 9 standard wood stains or stain-to-match at no upcharge

FABRIC



Select fabrics from one of our textile partners

ARMS



Black

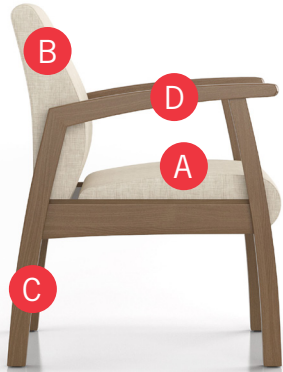
Select from one of our 9 standard wood stains or stain-to-match at no upcharge

See Spectone Card or specfurniture.com/materials/finishes for a complete list of finish options and colors.



COOPER COLLECTION - HUNTSVILLE Lounge Seating

HOW TO ORDER



Specify Model

- A** Specify Fabric - Seat¹
Manufacturer, Pattern Name, Color
- B** Specify Fabric - Back¹
Manufacturer, Pattern Name, Color
- C** Specify Frame Finish
- D** Specify Arm Type and Color
Polyurethane / Wood

Optional: Polyurethane Arm, CAL 133, Moisture Barrier, Half or Full Panel Arms, Connecting and Freestanding Tables, Ottoman, Velcro Removable Headrest, Vinyl Headrest Insert

¹ When multiple fabrics are specified on two and three seat chairs, please provide a drawing and legend for fabric placement.



Model	Fabric - Seat	Fabric - Back	Frame Finish	Arm Type and Color
6401M	Momentum, Beeline, Canvas	Momentum, Beeline, Canvas	Studio Teak Stain	Wood, Studio Teak Stain



Pricing March 1, 2019
Discount 57.7% from List prices



SIN 711-16

COOPER COLLECTION - HUNTSVILLE Lounge Seating

Designed for today's healthcare facilities
Single Seater with arms

Standard Features

- Separate seat and back
- Wood arms
- Wood components in Beech, in any of 9 standard stains or stain-to-match at no upcharge
- Wall-saving frame
- Velcro removable back covers
- Replaceable seats
- Threaded replaceable glides
- Use in connected layouts at no upcharge
- Ships assembled
- Ships 1/carton 15 cu ft

Options

- Replaceable rounded polyurethane arms (P) available in Black, add \$128 List
- Connected and freestanding tables
- Antibacterial and antimicrobial fabrics available
- Different fabric on seat and back at no upcharge
- CAL 133

Contact Spec™ Customer Service to railroad fabrics (specify repeat info and yardage requirement will be provided) and for repeats greater than 5" x 5"



Single Seater with arms

COM 1.75 yds
0.75 yd COM per single seat
1.0 yd COM per single back

MODEL	COM	GR 1	GR 2	GR 3	GR 4	GR 5	GR 6
6401M	1064	1153	1179	1238	1326	1391	1479

Dimensions (inches)

seat H	18.0	seat W	21.0	arm H	25.0
total H	33.75	total W	25.25	depth	27.5

Exceeds BIFMA Seating Durability Test to 500 lbs per chair
CAL 133, add \$115 List per seat



6401M
40 lbs



Pricing March 1, 2019
Discount 57.7% from List prices



SIN 711-17

COOPER COLLECTION - HUNTSVILLE Lounge Seating

Designed for today's healthcare facilities
Two and Three Seaters with outside arms

Standard Features

- Separate seat and back
- Wood arms
- Wood components in Beech, in any of 9 standard stains or stain-to-match at no upcharge
- Wall-saving frame
- Velcro removable back covers
- Replaceable seats
- Threaded replaceable glides
- Use in connected layouts at no upcharge
- Ships assembled
- Ships 1/carton 26 cu ft (2 seater),
1/carton 39 cu ft (3 seater)

Options

- Replaceable rounded polyurethane arms (P) available in Black, add \$128 List
- Connected and freestanding tables
- Antibacterial and antimicrobial fabrics available
- Different fabric on seat and back at no upcharge
- CAL 133

Contact Spec Customer Service to railroad fabrics (specify repeat info and yardage requirement will be provided) and for repeats greater than 5" x 5"



Two Seater with outside arms

COM 3.5 yds
0.75 yd COM per single seat
1.0 yd COM per single back

MODEL	COM	GR 1	GR 2	GR 3	GR 4	GR 5	GR 6
6402M	1527	1701	1758	1875	2048	2183	2355

Dimensions (inches)
seat H 18.0 seat W 21.0 arm H 25.0
total H 33.75 total W 46.5 depth 27.5

Exceeds BIFMA Seating Durability Test to 750 lbs per two seater
CAL 133, add \$230 List per two seater



6402M
66 lbs

Three Seater with outside arms

COM 5.25 yds
0.75 yd COM per single seat
1.0 yd COM per single back

MODEL	COM	GR 1	GR 2	GR 3	GR 4	GR 5	GR 6
6403M	1990	2252	2339	2513	2774	2972	3232

Dimensions (inches)
seat H 18.0 seat W 21.0 arm H 25.0
total H 33.75 total W 67.5 depth 27.5

Exceeds BIFMA Seating Durability Test to 1000 lbs three seater
CAL 133, add \$345 List per three seater



6403M
92 lbs



Pricing March 1, 2019
Discount 57.7% from List prices



SIN 711-17

COOPER COLLECTION - HUNTSVILLE Lounge Seating

Designed for today's healthcare facilities
Two and Three Seaters with half arms

Standard Features

- Separate seat and back
- Wood arms
- Wood components in Beech, in any of 9 standard stains or stain-to-match at no upcharge
- Wall-saving frame
- Velcro removable back covers
- Replaceable seats
- Threaded replaceable glides
- Use in connected layouts at no upcharge
- Ships assembled
- Ships 1/carton 26 cu ft (2 seater),
1/carton 39 cu ft (3 seater)

Options

- Replaceable rounded polyurethane arms (P) available in Black, add \$195 List for 6412M, or \$260 List for 6413M
- Connected and freestanding tables
- Antibacterial and antimicrobial fabrics available
- Different fabric on seat and back at no upcharge
- CAL 133

Contact Spec Customer Service to railroad fabrics (specify repeat info and yardage requirement will be provided) and for repeats greater than 5" x 5"



Two Seater with half arms

COM 3.5 yds
0.75 yd COM per single seat
1.0 yd COM per single back

MODEL	COM	GR 1	GR 2	GR 3	GR 4	GR 5	GR 6
6412M	1970	2143	2201	2316	2492	2624	2796

Dimensions (inches)

seat H	18.0	seat W	21.0	arm H	25.0
total H	33.75	total W	48.0	depth	27.5

Exceeds BIFMA Seating Durability Test to 750 lbs per two seater
CAL 133, add \$230 List per two seater



6412M
68 lbs

Three Seater with half arms

COM 5.25 yds
0.75 yd COM per single seat
1.0 yd COM per single back

MODEL	COM	GR 1	GR 2	GR 3	GR 4	GR 5	GR 6
6413M	2876	3135	3222	3397	3657	3856	4116

Dimensions (inches)

seat H	18.0	seat W	21.0	arm H	25.0
total H	33.75	total W	70.5	depth	27.5

Exceeds BIFMA Seating Durability Test to 1000 lbs per three seater
CAL 133, add \$345 List per three seater



6413M
96 lbs



Pricing March 1, 2019
Discount 57.7% from List prices



SIN 711-17

COOPER COLLECTION - HUNTSVILLE Lounge Seating

Designed for today's healthcare facilities

Two and Three Seaters with full arms

Standard Features

- Separate seat and back
- Wood arms
- Wood components in Beech, in any of 9 standard stains or stain-to-match at no upcharge
- Wall-saving frame
- Velcro removable back covers
- Replaceable seats
- Threaded replaceable glides
- Use in connected layouts at no upcharge
- Ships assembled
- Ships 1/carton 26 cu ft (2 seater),
1/carton 39 cu ft (3 seater)

Options

- Replaceable rounded polyurethane arms (P) available in Black, add \$195 List for 6422M, or \$260 List for 6423M
- Connected and freestanding tables
- Antibacterial and antimicrobial fabrics available
- Different fabric on seat and back at no upcharge
- CAL 133

Contact Spec Customer Service to railroad fabrics (specify repeat info and yardage requirement will be provided) and for repeats greater than 5" x 5"



Two Seater with full arms

COM 3.5 yds
0.75 yd COM per single seat
1.0 yd COM per single back

MODEL	COM	GR 1	GR 2	GR 3	GR 4	GR 5	GR 6
6422M	1970	2143	2201	2316	2492	2624	2796

Dimensions (inches)

seat H	18.0	seat W	21.0	arm H	25.0
total H	33.75	total W	48.0	depth	27.5

Exceeds BIFMA Seating Durability Test to 750 lbs per two seater
CAL 133, add \$230 List per two seater



6422M
73 lbs

Three Seater with full arms

COM 5.25 yds
0.75 yd COM per single seat
1.0 yd COM per single back

MODEL	COM	GR 1	GR 2	GR 3	GR 4	GR 5	GR 6
6423M	2876	3135	3222	3397	3657	3856	4116

Dimensions (inches)

seat H	18.0	seat W	21.0	arm H	25.0
total H	33.75	total W	70.5	depth	27.5

Exceeds BIFMA Seating Durability Test to 1000 lbs per three seater
CAL 133, add \$345 List per three seater



6423M
99 lbs



Pricing March 1, 2019
Discount 57.7% from List prices



SIN 711-16

COOPER COLLECTION - HUNTSVILLE Lounge Seating

Designed for today's healthcare facilities

Loveseat with arms

Standard Features

- Separate seat and back
- Wood arms
- Wood components in Beech, in any of 9 standard stains or stain-to-match at no upcharge
- Wall-saving frame
- Velcro removable back covers
- Replaceable seats
- Threaded replaceable glides
- Use in connected layouts at no upcharge
- Ships assembled
- Ships 1/carton 20 cu ft

Options

- Replaceable rounded polyurethane arms (P) available in Black, add \$128 List
- Connected and freestanding tables
- Antibacterial and antimicrobial fabrics available
- Different fabric on seat and back at no upcharge
- CAL 133

Contact Spec Customer Service to railroad fabrics (specify repeat info and yardage requirement will be provided) and for repeats greater than 5" x 5"



Loveseat with arms

COM 4.0 yds
2.0 yd COM per single seat
2.0 yd COM per single back

MODEL	COM	GR 1	GR 2	GR 3	GR 4	GR 5	GR 6
6401L	1653	1856	1923	2061	2259	2415	2620

Dimensions (inches)

seat H	18.0	seat W	42.0	arm H	25.0
total H	33.75	total W	44.75	depth	27.5

Exceeds BIFMA Seating Durability Test to 750 lbs per chair
CAL 133, add \$177 List per chair



6401L
66 lbs



Pricing March 1, 2019
Discount 57.7% from List prices



SIN 711-16

COOPER COLLECTION - HUNTSVILLE Lounge Seating

Designed for today's healthcare facilities
Bariatric Single Seater with arms

Standard Features

- Separate seat and back
- Wood arms
- Wood components in Beech, in any of 9 standard stains or stain-to-match at no upcharge
- Wall-saving frame
- Velcro removable back covers
- Replaceable seats
- Threaded replaceable glides
- Use in connected layouts at no upcharge
- Bariatric seating cannot connect to bariatric seating
- Ships assembled
- Ships 1/carton 20 cu ft

Options

- Replaceable rounded polyurethane arms (P) available in Black, add \$128 List
- Connected and freestanding tables
- Antibacterial and antimicrobial fabrics available
- Different fabric on seat and back at no upcharge
- CAL 133

Contact Spec Customer Service to railroad fabrics (specify repeat info and yardage requirement will be provided) and for repeats greater than 5" x 5"



Bariatric Single Seater with arms

COM 3.0 yds
1.5 yd COM per single seat
1.5 yd COM per single back

MODEL	COM	GR 1	GR 2	GR 3	GR 4	GR 5	GR 6
6401G	1264	1436	1494	1611	1784	1918	2091

Dimensions (inches)

seat H	18.0	seat W	30.0	arm H	25.0
total H	33.75	total W	34.25	depth	27.5

Exceeds BIFMA Seating Durability Test to 750 lbs per chair
CAL 133, add \$144 List per chair



6401G
47 lbs



Pricing March 1, 2019
Discount 57.7% from List prices



SIN 711-16

COOPER COLLECTION - HUNTSVILLE Lounge Seating

Designed for today's healthcare facilities
Highback Single Seater with arms – Ottoman

Standard Features

- Separate seat and back
- Wood arms
- Wood components in Beech, in any of 9 standard stains or stain-to-match at no upcharge
- Use in connected layouts at no upcharge
- Velcro removable back covers
- Replaceable seats
- Arms replaceable in the field
- Ships assembled
- Ships 1/carton 19 cu ft
- Ottoman ships 1/carton 5 cu ft

Options

- Replaceable rounded polyurethane arms (P) available in Black, add \$128 List
- Vinyl insert on top of the back, add \$42 List/seat back
- Connected and freestanding tables
- Antibacterial and antimicrobial fabrics available
- Different fabric on seat and back at no upcharge
- CAL 133

Contact Spec Customer Service to railroad fabrics (specify repeat info and yardage requirement will be provided) and for repeats greater than 5" x 5"



Highback Single Seater with arms

COM 2.5 yds
0.75 yd COM per single seat
1.75 yds COM per single back

MODEL	COM	GR 1	GR 2	GR 3	GR 4	GR 5	GR 6
6401H	1138	1273	1318	1410	1545	1649	1823

Dimensions (inches)

seat H	18.0	seat W	21.0	arm H	25.0
total H	47.5	total W	25.5	depth	27.5

Exceeds BIFMA Seating Durability Test to 500 lbs per chair
CAL 133, add \$129 List per chair



6401H
43 lbs

Ottoman

0.5 yd COM per ottoman

MODEL	COM	GR 1	GR 2	GR 3	GR 4	GR 5	GR 6
6430F	516	550	560	584	619	645	692

Ottoman Dimensions (inches)

H	11.5	W	19.25	depth	12.25
---	------	---	-------	-------	-------

CAL 133, add \$53 List



6430F
16 lbs



Pricing March 1, 2019
Discount 57.7% from List prices



SIN 711-16

COOPER COLLECTION - HUNTSVILLE Lounge Seating

Designed for today's healthcare facilities
Half and Full Panel Arms

Options

To order half panel arms, add Z to model number,
e.g. 6401**Z**

- Antibacterial and antimicrobial fabrics available
- CAL 133

To order full panel arms, add ZC to model number,
e.g. 6401**ZC**

Pricing is for one half panel arm, e.g. for a single seater chair with half panel arms, add two half panel arms to cost of chair

Contact Spec Customer Service to railroad fabrics (specify repeat info and yardage requirement will be provided) and for repeats greater than 5" x 5"



Half & Full Panel Arms

COM 0.5 yds per half panel arm

MODEL	COM	GR 1	GR 2	GR 3	GR 4	GR 5	GR 6
Z	74	98	104	119	143	160	186

COM 0.75 yds per full panel arm

MODEL	COM	GR 1	GR 2	GR 3	GR 4	GR 5	GR 6
ZC	141	184	199	227	271	306	335

CAL 133, add \$41 List per half panel arm/ \$82 List per full panel arm



1.5 lbs per half panel arm



3 lbs per full panel arm



COOPER COLLECTION - HUNTSVILLE Lounge Seating

Designed for today's healthcare facilities

Freestanding Lounge Tables – Corner and Spacer Connecting Tables

Standard Features

- Tops in laminate or veneer
- Select laminate tops from 15 standard laminates or choose any standard Wilsonart, Nevamar, Formica, Arborite and Pionite matte finish laminates at no upcharge.
- Freestanding lounge tables available with PVC Flat (PVF), 2mm (2MM), exposed Baltic Birch plywood (PF, PKNR) or hardwood (HB) edge
- Connecting table tops available with PVC Flat (PVF) edge, Self edge (SE) or hardwood (HB) edge
- 9 standard veneer and hardwood edge stains. Stain-to-match available at no upcharge.
- Beech legs and Beech table skirts stained the same
- Threaded replaceable glides
- Tops utilize NU Green earth friendly core
- 18" height

Options

- Non-standard laminates, contact Spec for pricing
- Custom size spacer tables for restricted spaces
- Other sizes may be available

Radius Corner Tables are recommended for open areas



Freestanding Lounge Tables

Model	Laminate PVF/SE/2MM	Laminate PF/PKNR/HB	Veneer HB	Weight	Cu.Ft.
64 - 24 x 24 SQ	866	1054	1202	47	7.2
64 - 24 x 48 RE	1022	1228	1437	64	18
64 - 30 x 30 SQ	969	1105	1265	57	13.5
64 - 22 DIA	1015	1361	1557	47	7.2



Corner and Spacer Connecting Tables

Model	Laminate PVF/SE	Laminate HB Edge	Veneer HB Edge	Weight	Cu.Ft.
64RC - 28 x 28 <i>Radius Corner Table</i>	800	1073	1258	42	2
64SC - 28 x 28 <i>Square Corner Table</i>	874	1062	1171	46	2
64TC - 45 degree <i>Corner Table</i>	800	1073	1258	40	2
64ST - 21 x 24 <i>Spacer Table</i>	543	766	878	27	2
64ET - 21 x 24 <i>End Table</i>	725	948	1061	37	2

