

# COOPER COLLECTION - HUNTSVILLE Lounge Seating

## LAYOUTS

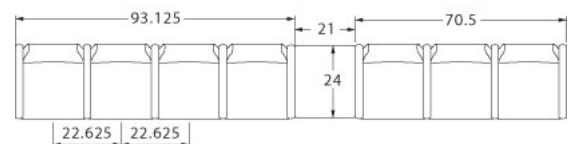
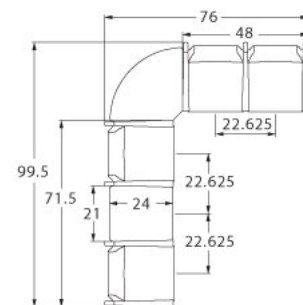
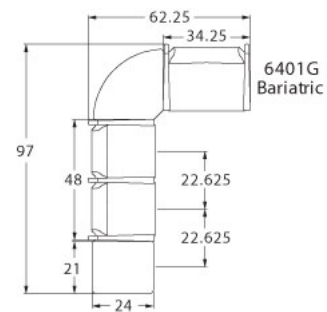


### Description

- Spec's Huntsville offers the softer look and feel of wood, without sacrificing high durability.
- Your layout possibilities are unlimited with spacer, radius and corner tables – for both standard and bariatric seating in virtually any combination.
- Bariatric seating is a 30" wide seat and is load tested to 750 lbs. Cannot be connected to other bariatric seats.
- 21" seat width is standard.
- Standard in European Beech in any of 9 standard stains or stain-to-match at no upcharge.
- Choice of wood or polyurethane arms which are replaceable in the field.
- All models offer a choice of no center arms, half arms or full arms to the floor.
- Wall-saving frame is standard to protect both wall and fabric.
- Glides and separate seat and back are standard.
- Please send a drawing of the configuration you require with your order.
- For fabrics you wish railroaded or repeats larger than 5" x 5", please contact the factory with repeat information and yardage requirement will be provided.



### LAYOUTS AND DIMENSIONS





# COOPER COLLECTION - HUNTSVILLE Lounge Seating



## PRODUCT CODE

6 4 2 1 M



## OPTIONS

### ARM TYPE



Polyurethane or Wood  
*\*This image does not represent actual product arm.*

### PANEL ARMS



Half Panel Arms

Full Panel Arms

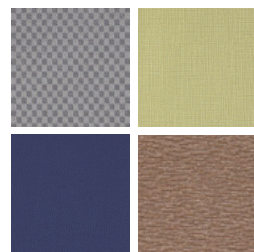
## FINISHES

### FRAME



Select from one of our 9 standard wood stains or stain-to-match at no upcharge

### FABRIC



Select fabrics from one of our textile partners

### ARMS



Black

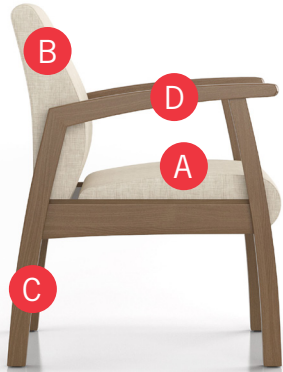
Select from one of our 9 standard wood stains or stain-to-match at no upcharge

See Spectone Card or [specfurniture.com/materials/finishes](http://specfurniture.com/materials/finishes) for a complete list of finish options and colors.



# COOPER COLLECTION - HUNTSVILLE Lounge Seating

## HOW TO ORDER



### Specify Model

- A** Specify Fabric - Seat<sup>1</sup>  
*Manufacturer, Pattern Name, Color*
- B** Specify Fabric - Back<sup>1</sup>  
*Manufacturer, Pattern Name, Color*
- C** Specify Frame Finish
- D** Specify Arm Type and Color  
Polyurethane / Wood

Optional: Polyurethane Arm, CAL 133, Moisture Barrier, Half or Full Panel Arms, Connecting and Freestanding Tables, Ottoman, Velcro Removable Headrest, Vinyl Headrest Insert

<sup>1</sup> When multiple fabrics are specified on two and three seat chairs, please provide a drawing and legend for fabric placement.



Model	Fabric - Seat	Fabric - Back	Frame Finish	Arm Type and Color
6401M	Momentum, Beeline, Canvas	Momentum, Beeline, Canvas	Studio Teak Stain	Wood, Studio Teak Stain



# COOPER COLLECTION - HUNTSVILLE Lounge Seating

Designed for today's healthcare facilities  
Single Seater with arms

## Standard Features

- Separate seat and back
- Wood arms
- Wood components in Beech, in any of 9 standard stains or stain-to-match at no upcharge
- Wall-saving frame
- Velcro removable back covers
- Replaceable seats
- Threaded replaceable glides
- Use in connected layouts at no upcharge
- Ships assembled
- Ships 1/carton 15 cu ft

## Options

- Replaceable rounded polyurethane arms (P) available in Black, add \$134 List
- Connected and freestanding tables
- Antibacterial and antimicrobial fabrics available
- Different fabric on seat and back at no upcharge
- CAL 133

Contact Spec™ Customer Service to railroad fabrics (specify repeat info and yardage requirement will be provided) and for repeats greater than 5" x 5"




---

## Single Seater with arms

---

COM 1.75 yds  
0.75 yd COM per single seat  
1.0 yd COM per single back

MODEL	COM	GR 1	GR 2	GR 3	GR 4	GR 5	GR 6
<b>6401M</b>	<b>1107</b>	<b>1199</b>	<b>1226</b>	<b>1288</b>	<b>1379</b>	<b>1447</b>	<b>1538</b>

Dimensions (inches)

seat H	18.0	seat W	21.0	arm H	25.0
total H	33.75	total W	25.25	depth	27.5

Exceeds BIFMA Seating Durability Test to 500 lbs per chair  
CAL 133, add \$120 List per seat



**6401M**  
40 lbs



# COOPER COLLECTION - HUNTSVILLE Lounge Seating

Designed for today's healthcare facilities

Two and Three Seaters with outside arms

## Standard Features

- Separate seat and back
- Wood arms
- Wood components in Beech, in any of 9 standard stains or stain-to-match at no upcharge
- Wall-saving frame
- Velcro removable back covers
- Replaceable seats
- Threaded replaceable glides
- Use in connected layouts at no upcharge
- Ships assembled
- Ships 1/carton 26 cu ft (2 seater), 1/carton 39 cu ft (3 seater)

## Options

- Replaceable rounded polyurethane arms (P) available in Black, add \$134 List
- Connected and freestanding tables
- Antibacterial and antimicrobial fabrics available
- Different fabric on seat and back at no upcharge
- CAL 133

Contact Spec Customer Service to railroad fabrics (specify repeat info and yardage requirement will be provided) and for repeats greater than 5" x 5"



## Two Seater with outside arms

COM 3.5 yds  
0.75 yd COM per single seat  
1.0 yd COM per single back

MODEL	COM	GR 1	GR 2	GR 3	GR 4	GR 5	GR 6
6402M	1588	1769	1828	1950	2130	2270	2449

Dimensions (inches)  
seat H 18.0 seat W 21.0 arm H 25.0  
total H 33.75 total W 46.5 depth 27.5

Exceeds BIFMA Seating Durability Test to 750 lbs per two seater  
CAL 133, add \$240 List per two seater



6402M  
66 lbs

## Three Seater with outside arms

COM 5.25 yds  
0.75 yd COM per single seat  
1.0 yd COM per single back

MODEL	COM	GR 1	GR 2	GR 3	GR 4	GR 5	GR 6
6403M	2070	2342	2433	2614	2885	3091	3361

Dimensions (inches)  
seat H 18.0 seat W 21.0 arm H 25.0  
total H 33.75 total W 67.5 depth 27.5

Exceeds BIFMA Seating Durability Test to 1000 lbs three seater  
CAL 133, add \$360 List per three seater



6403M  
92 lbs



# COOPER COLLECTION - HUNTSVILLE Lounge Seating

Designed for today's healthcare facilities

Two and Three Seaters with half arms

## Standard Features

- Separate seat and back
- Wood arms
- Wood components in Beech, in any of 9 standard stains or stain-to-match at no upcharge
- Wall-saving frame
- Velcro removable back covers
- Replaceable seats
- Threaded replaceable glides
- Use in connected layouts at no upcharge
- Ships assembled
- Ships 1/carton 26 cu ft (2 seater),  
1/carton 39 cu ft (3 seater)

## Options

- Replaceable rounded polyurethane arms (P) available in Black, add \$201 List for 6412M, or \$268 List for 6413M
- Connected and freestanding tables
- Antibacterial and antimicrobial fabrics available
- Different fabric on seat and back at no upcharge
- CAL 133

Contact Spec Customer Service to railroad fabrics (specify repeat info and yardage requirement will be provided) and for repeats greater than 5" x 5"



## Two Seater with half arms

COM 3.5 yds  
0.75 yd COM per single seat  
1.0 yd COM per single back

MODEL	COM	GR 1	GR 2	GR 3	GR 4	GR 5	GR 6
6412M	2049	2229	2289	2409	2592	2729	2908

Dimensions (inches)

seat H	18.0	seat W	21.0	arm H	25.0
total H	33.75	total W	48.0	depth	27.5

Exceeds BIFMA Seating Durability Test to 750 lbs per two seater  
CAL 133, add \$240 List per two seater



6412M  
68 lbs

## Three Seater with half arms

COM 5.25 yds  
0.75 yd COM per single seat  
1.0 yd COM per single back

MODEL	COM	GR 1	GR 2	GR 3	GR 4	GR 5	GR 6
6413M	2991	3260	3351	3533	3803	4010	4281

Dimensions (inches)

seat H	18.0	seat W	21.0	arm H	25.0
total H	33.75	total W	70.5	depth	27.5

Exceeds BIFMA Seating Durability Test to 1000 lbs per three seater  
CAL 133, add \$360 List per three seater



6413M  
96 lbs



# COOPER COLLECTION - HUNTSVILLE Lounge Seating

Designed for today's healthcare facilities

Two and Three Seaters with full arms

## Standard Features

- Separate seat and back
- Wood arms
- Wood components in Beech, in any of 9 standard stains or stain-to-match at no upcharge
- Wall-saving frame
- Velcro removable back covers
- Replaceable seats
- Threaded replaceable glides
- Use in connected layouts at no upcharge
- Ships assembled
- Ships 1/carton 26 cu ft (2 seater), 1/carton 39 cu ft (3 seater)

## Options

- Replaceable rounded polyurethane arms (P) available in Black, add \$201 List for 6422M, or \$268 List for 6423M
- Connected and freestanding tables
- Antibacterial and antimicrobial fabrics available
- Different fabric on seat and back at no upcharge
- CAL 133

Contact Spec Customer Service to railroad fabrics (specify repeat info and yardage requirement will be provided) and for repeats greater than 5" x 5"



## Two Seater with full arms

COM 3.5 yds  
0.75 yd COM per single seat  
1.0 yd COM per single back

MODEL	COM	GR 1	GR 2	GR 3	GR 4	GR 5	GR 6
6422M	2049	2229	2289	2409	2592	2729	2908

Dimensions (inches)

seat H	18.0	seat W	21.0	arm H	25.0
total H	33.75	total W	48.0	depth	27.5

Exceeds BIFMA Seating Durability Test to 750 lbs per two seater  
CAL 133, add \$240 List per two seater



6422M  
73 lbs

## Three Seater with full arms

COM 5.25 yds  
0.75 yd COM per single seat  
1.0 yd COM per single back

MODEL	COM	GR 1	GR 2	GR 3	GR 4	GR 5	GR 6
6423M	2991	3260	3351	3533	3803	4010	4281

Dimensions (inches)

seat H	18.0	seat W	21.0	arm H	25.0
total H	33.75	total W	70.5	depth	27.5

Exceeds BIFMA Seating Durability Test to 1000 lbs per three seater  
CAL 133, add \$360 List per three seater



6423M  
99 lbs



# COOPER COLLECTION - HUNTSVILLE Lounge Seating

Designed for today's healthcare facilities

Loveseat with arms

## Standard Features

- Separate seat and back
- Wood arms
- Wood components in Beech, in any of 9 standard stains or stain-to-match at no upcharge
- Wall-saving frame
- Velcro removable back covers
- Replaceable seats
- Threaded replaceable glides
- Use in connected layouts at no upcharge
- Ships assembled
- Ships 1/carton 20 cu ft

## Options

- Replaceable rounded polyurethane arms (P) available in Black, add \$134 List
- Connected and freestanding tables
- Antibacterial and antimicrobial fabrics available
- Different fabric on seat and back at no upcharge
- CAL 133

Contact Spec Customer Service to railroad fabrics (specify repeat info and yardage requirement will be provided) and for repeats greater than 5" x 5"



## Loveseat with arms

COM 4.0 yds  
2.0 yd COM per single seat  
2.0 yd COM per single back

MODEL	COM	GR 1	GR 2	GR 3	GR 4	GR 5	GR 6
<b>6401L</b>	<b>1719</b>	<b>1930</b>	<b>2000</b>	<b>2143</b>	<b>2349</b>	<b>2512</b>	<b>2725</b>

Dimensions (inches)

seat H	18.0	seat W	42.0	arm H	25.0
total H	33.75	total W	44.75	depth	27.5

Exceeds BIFMA Seating Durability Test to 750 lbs per chair  
CAL 133, add \$184 List per chair



**6401L**  
66 lbs





# COOPER COLLECTION - HUNTSVILLE Lounge Seating

Designed for today's healthcare facilities  
Bariatric Single Seater with arms

## Standard Features

- Separate seat and back
- Wood arms
- Wood components in Beech, in any of 9 standard stains or stain-to-match at no upcharge
- Wall-saving frame
- Velcro removable back covers
- Replaceable seats
- Threaded replaceable glides
- Use in connected layouts at no upcharge
- Bariatric seating cannot connect to bariatric seating
- Ships assembled
- Ships 1/carton 20 cu ft

## Options

- Replaceable rounded polyurethane arms (P) available in Black, add \$134 List
- Connected and freestanding tables
- Antibacterial and antimicrobial fabrics available
- Different fabric on seat and back at no upcharge
- CAL 133

Contact Spec Customer Service to railroad fabrics (specify repeat info and yardage requirement will be provided) and for repeats greater than 5" x 5"




---

## Bariatric Single Seater with arms

---

COM 3.0 yds  
1.5 yd COM per single seat  
1.5 yd COM per single back

MODEL	COM	GR 1	GR 2	GR 3	GR 4	GR 5	GR 6
<b>6401G</b>	<b>1315</b>	<b>1493</b>	<b>1554</b>	<b>1675</b>	<b>1855</b>	<b>1995</b>	<b>2175</b>

Dimensions (inches)

seat H	18.0	seat W	30.0	arm H	25.0
total H	33.75	total W	34.25	depth	27.5

Exceeds BIFMA Seating Durability Test to 750 lbs per chair  
CAL 133, add \$150 List per chair



**6401G**  
47 lbs



# COOPER COLLECTION - HUNTSVILLE Lounge Seating

Designed for today's healthcare facilities  
 Highback Single Seater with arms – Ottoman

## Standard Features

- Separate seat and back
- Wood arms
- Wood components in Beech, in any of 9 standard stains or stain-to-match at no upcharge
- Use in connected layouts at no upcharge
- Velcro removable back covers
- Replaceable seats
- Arms replaceable in the field
- Ships assembled
- Ships 1/carton 19 cu ft
- Ottoman ships 1/carton 5 cu ft

## Options

- Replaceable rounded polyurethane arms (P) available in Black, add \$134 List
- Vinyl insert on top of the back, add \$44 List/seat back
- Connected and freestanding tables
- Antibacterial and antimicrobial fabrics available
- Different fabric on seat and back at no upcharge
- CAL 133

Contact Spec Customer Service to railroad fabrics (specify repeat info and yardage requirement will be provided) and for repeats greater than 5" x 5"



## Highback Single Seater with arms

COM 2.5 yds  
 0.75 yd COM per single seat  
 1.75 yds COM per single back

MODEL	COM	GR 1	GR 2	GR 3	GR 4	GR 5	GR 6
<b>6401H</b>	<b>1184</b>	<b>1324</b>	<b>1371</b>	<b>1466</b>	<b>1607</b>	<b>1715</b>	<b>1896</b>

Dimensions (inches)

seat H	18.0	seat W	21.0	arm H	25.0
total H	47.5	total W	25.5	depth	27.5

Exceeds BIFMA Seating Durability Test to 500 lbs per chair  
 CAL 133, add \$134 List per chair



**6401H**  
43 lbs

## Ottoman

0.5 yd COM per ottoman

MODEL	COM	GR 1	GR 2	GR 3	GR 4	GR 5	GR 6
<b>6430F</b>	<b>537</b>	<b>572</b>	<b>582</b>	<b>607</b>	<b>644</b>	<b>671</b>	<b>720</b>

Ottoman Dimensions (inches)

H	11.5	W	19.25	depth	12.25
---	------	---	-------	-------	-------

CAL 133, add \$55 List



**6430F**  
16 lbs



# COOPER COLLECTION - HUNTSVILLE Lounge Seating

Designed for today's healthcare facilities  
Half and Full Panel Arms

### Options

- Antibacterial and antimicrobial fabrics available
- CAL 133

To order half panel arms, add Z to model number, e.g. 6401Z

To order full panel arms, add ZC to model number, e.g. 6401ZC

**Pricing is for one half panel arm, e.g. for a single seater chair with half panel arms, add two half panel arms to cost of chair**

Contact Spec Customer Service to railroad fabrics (specify repeat info and yardage requirement will be provided) and for repeats greater than 5" x 5"



### Half & Full Panel Arms

COM 0.5 yds per half panel arm

MODEL	COM	GR 1	GR 2	GR 3	GR 4	GR 5	GR 6
<b>Z</b>	<b>77</b>	<b>102</b>	<b>108</b>	<b>124</b>	<b>149</b>	<b>166</b>	<b>193</b>

COM 0.75 yds per full panel arm

MODEL	COM	GR 1	GR 2	GR 3	GR 4	GR 5	GR 6
<b>ZC</b>	<b>147</b>	<b>191</b>	<b>207</b>	<b>236</b>	<b>282</b>	<b>318</b>	<b>348</b>

CAL 133, add \$43 List per half panel arm/ \$85 List per full panel arm



1.5 lbs per half panel arm



3 lbs per full panel arm



# COOPER COLLECTION - HUNTSVILLE Lounge Seating

Designed for today's healthcare facilities

Freestanding Lounge Tables – Corner and Spacer Connecting Tables

## Standard Features

- Tops in laminate or veneer
- Select laminate tops from 15 standard laminates or choose any standard Wilsonart, Nevamar, Formica, Arborite and Pionite matte finish laminates at no upcharge.
- Freestanding lounge tables available with PVC Flat (PVF), 2mm (2MM), exposed Baltic Birch plywood (PF, PKNR) or hardwood (HB) edge
- Connecting table tops available with PVC Flat (PVF) edge, Self edge (SE) or hardwood (HB) edge
- 9 standard veneer and hardwood edge stains. Stain-to-match available at no upcharge.
- Beech legs and Beech table skirts stained the same
- Threaded replaceable glides
- Tops utilize NU Green earth friendly core
- 18" height

## Options

- Non-standard laminates, contact Spec for pricing
- Custom size spacer tables for restricted spaces
- Other sizes may be available

Radius Corner Tables are recommended for open areas



## Freestanding Lounge Tables

Model	Laminate PVF/SE/2MM	Laminate PF/PKNR/HB	Veneer HB	Weight	Cu.Ft.
64 - 24 x 24 SQ	<b>901</b>	<b>1096</b>	<b>1250</b>	47	7.2
64 - 24 x 48 RE	<b>1063</b>	<b>1277</b>	<b>1494</b>	64	18
64 - 30 x 30 SQ	<b>1008</b>	<b>1149</b>	<b>1316</b>	57	13.5
64 - 22 DIA	<b>1056</b>	<b>1415</b>	<b>1619</b>	47	7.2



## Corner and Spacer Connecting Tables

Model	Laminate PVF/SE	Laminate HB Edge	Veneer HB Edge	Weight	Cu.Ft.
64RC - 28 x 28 <i>Radius Corner Table</i>	<b>832</b>	<b>1116</b>	<b>1308</b>	42	2
64SC - 28 x 28 <i>Square Corner Table</i>	<b>909</b>	<b>1104</b>	<b>1218</b>	46	2
64TC - 45 degree <i>Corner Table</i>	<b>832</b>	<b>1116</b>	<b>1308</b>	40	2
64ST - 21 x 24 <i>Spacer Table</i>	<b>565</b>	<b>797</b>	<b>913</b>	27	2
64ET - 21 x 24 <i>End Table</i>	<b>754</b>	<b>986</b>	<b>1103</b>	37	2

