

COOPER COLLECTION - MIDLAND Lounge Seating

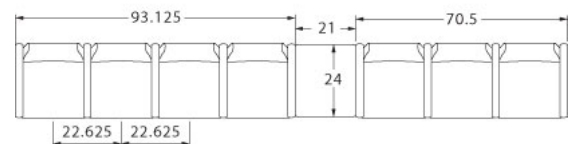
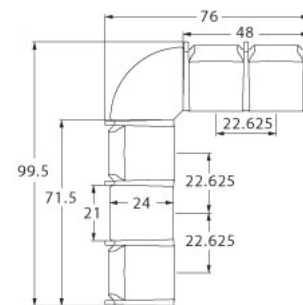
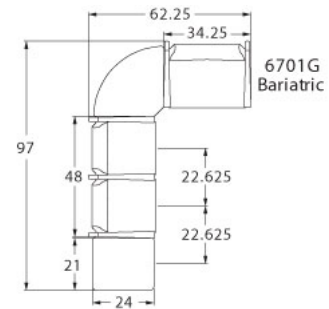
LAYOUTS



Description

- Spec's Midland offers a lighter, residential feel at a value price with extensive environmental considerations.
- Your layout possibilities are unlimited with spacer, radius and corner tables – for both standard and bariatric seating in virtually any combination.
- Bariatric seating is a 30" wide seat and is load tested to 750 lbs. Cannot be connected to other bariatric seats.
- 21" seat width is standard.
- Standard in European Beech in any of 9 standard stains or stain-to-match at no upcharge.
- Choice of wood or polyurethane arm caps which are replaceable in the field.
- All models offer a choice of no center arms, half arms or full arms to the floor.
- Wall-saving frame is standard to protect both wall and fabric.
- Glides and separate seat and back are standard.
- Please send a drawing of the configuration you require with your order.
- Ships assembled as one, two and three seater units.
- For fabrics you wish railroaded or repeats larger than 5" x 5", please contact the factory with repeat information and yardage requirement will be provided.

LAYOUTS AND DIMENSIONS





COOPER COLLECTION - MIDLAND Lounge Seating



PRODUCT CODE

6 7 2 3 M



OPTIONS

ARM CAP



Polyurethane

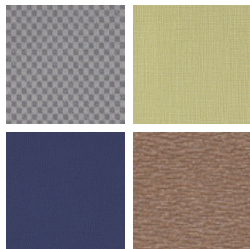
FINISHES

FRAME



Select from one of our 9 standard wood stains or stain-to-match at no upcharge

FABRIC



Select fabrics from one of our textile partners

ARM CAP



Black

See Spectone Card or specfurniture.com/materials/finishes for a complete list of finish options and colors.



COOPER COLLECTION - MIDLAND Lounge Seating

HOW TO ORDER



Specify Model

- A** Specify Fabric - Seat¹
Manufacturer, Pattern Name, Color
- B** Specify Fabric - Back¹
Manufacturer, Pattern Name, Color
- C** Specify Frame Finish

Optional: Polyurethane Arm Cap, CAL 133, Moisture Barrier, Connecting and Freestanding Tables, Ottoman, Vinyl Headrest Insert

¹ When multiple fabrics are specified on two and three seat chairs, please provide a drawing and legend for fabric placement.



Model	Fabric - Seat	Fabric - Back	Frame Finish
6701M	Momentum, Beeline, Canvas	Momentum, Beeline, Canvas	Studio Teak Stain



COOPER COLLECTION - MIDLAND Lounge Seating

Designed for today's healthcare facilities
Single Seater with arms

Standard Features

- Separate seat and back
- Wood components in Beech, in any of 9 standard stains or stain-to-match at no upcharge
- Wall-saving frame
- Velcro removable back covers
- Replaceable seats
- Threaded replaceable glides
- Use in connected layouts at no upcharge
- Ships assembled as 1, 2 or 3 seaters
- Ships 1/carton 15 cu ft

Options

- Replaceable polyurethane arm cap (P) available in Black, add \$98 List
- Connected and freestanding tables
- Antibacterial and antimicrobial fabrics available
- Different fabric on seat and back at no upcharge
- CAL 133

Contact Spec Customer Service to railroad fabrics (specify repeat info and yardage requirement will be provided) and for repeats greater than 5" x 5"



Single Seater with arms

COM 1.75 yds
0.75 yd COM per single seat
1.0 yd COM per single back

MODEL	COM	GR 1	GR 2	GR 3	GR 4	GR 5	GR 6
6701M	849	929	955	1008	1087	1147	1228

Dimensions (inches)

seat H	18.0	seat W	21.0	arm H	25.0
total H	33.75	total W	25.25	depth	26.25

Exceeds BIFMA Seating Durability Test to 500 lbs per chair
CAL 133, add \$114 List per seat



6701M
36 lbs



COOPER COLLECTION - MIDLAND Lounge Seating

Designed for today's healthcare facilities
Two and Three Seaters with outside arms

Standard Features

- Separate seat and back
- Wood components in Beech, in any of 9 standard stains or stain-to-match at no upcharge
- Wall-saving frame
- Velcro removable back covers
- Replaceable seats
- Threaded replaceable glides
- Use in connected layouts at no upcharge
- Ships assembled as 1, 2 or 3 seaters
- Ships 1/carton 26 cu ft (2 seater),
1/carton 39 cu ft (3 seater)

Options

- Replaceable polyurethane arm cap (P) available in Black, add \$98 List
- Connected and freestanding tables
- Antibacterial and antimicrobial fabrics available
- Different fabric on seat and back at no upcharge
- CAL 133

Contact Spec Customer Service to railroad fabrics (specify repeat info and yardage requirement will be provided) and for repeats greater than 5" x 5"



Two Seater with outside arms

COM 3.5 yds
0.75 yd COM per single seat
1.0 yd COM per single back

MODEL	COM	GR 1	GR 2	GR 3	GR 4	GR 5	GR 6
6702M	1294	1455	1509	1614	1774	1894	2054

Dimensions (inches)
seat H 18.0 seat W 21.0 arm H 25.0
total H 33.75 total W 44.75 depth 26.25

Exceeds BIFMA Seating Durability Test to 750 lbs per two seater
CAL 133, add \$228 List per two seater



6702M
62 lbs

Three Seater with outside arms

COM 5.25 yds
0.75 yd COM per single seat
1.0 yd COM per single back

MODEL	COM	GR 1	GR 2	GR 3	GR 4	GR 5	GR 6
6703M	1782	2025	2103	2263	2499	2680	2921

Dimensions (inches)
seat H 18.0 seat W 21.0 arm H 25.0
total H 33.75 total W 67.5 depth 26.25

Exceeds BIFMA Seating Durability Test to 1000 lbs per three seater
CAL 133, add \$342 List per three seater



6703M
88 lbs



COOPER COLLECTION - MIDLAND Lounge Seating

Designed for today's healthcare facilities
Two and Three Seaters with half arms

Standard Features

- Separate seat and back
- Wood components in Beech, in any of 9 standard stains or stain-to-match at no upcharge
- Wall-saving frame
- Velcro removable back covers
- Replaceable seats
- Threaded replaceable glides
- Use in connected layouts at no upcharge
- Ships assembled as 1, 2 or 3 seaters
- Ships 1/carton 26 cu ft (2 seater),
1/carton 39 cu ft (3 seater)

Options

- Replaceable polyurethane arm caps (P) available in Black, add \$147 List for 6712M, or \$196 List for 6713M
- Connected and freestanding tables
- Antibacterial and antimicrobial fabrics available
- Different fabric on seat and back at no upcharge
- CAL 133

Contact Spec Customer Service to railroad fabrics (specify repeat info and yardage requirement will be provided) and for repeats greater than 5" x 5"



Two Seater with half arms

COM 3.5 yds
0.75 yd COM per single seat
1.0 yd COM per single back

MODEL	COM	GR 1	GR 2	GR 3	GR 4	GR 5	GR 6
6712M	1459	1621	1672	1780	1939	2059	2220

Dimensions (inches)
seat H 18.0 seat W 21.0 arm H 25.0
total H 33.75 total W 48.0 depth 26.25

Exceeds BIFMA Seating Durability Test to 750 lbs two seater
CAL 133, add \$228 List per two seater



6712M
64 lbs

Three Seater with half arms

COM 5.25 yds
0.75 yd COM per single seat
1.0 yd COM per single back

MODEL	COM	GR 1	GR 2	GR 3	GR 4	GR 5	GR 6
6713M	2136	2377	2456	2616	2855	3035	3277

Dimensions (inches)
seat H 18.0 seat W 21.0 arm H 25.0
total H 33.75 total W 70.5 depth 26.25

Exceeds BIFMA Seating Durability Test to 1000 lbs per three seater
CAL 133, add \$342 List per three seater



6713M
92 lbs



COOPER COLLECTION - MIDLAND Lounge Seating

Designed for today's healthcare facilities

Two and Three Seaters with full arms

Standard Features

- Separate seat and back
- Wood components in Beech, in any of 9 standard stains or stain-to-match at no upcharge
- Wall-saving frame
- Velcro removable back covers
- Replaceable seats
- Threaded replaceable glides
- Use in connected layouts at no upcharge
- Ships assembled as 1, 2 or 3 seaters
- Ships 1/carton 26 cu ft (2 seater),
1/carton 39 cu ft (3 seater)

Options

- Replaceable polyurethane arm caps (P) available in Black, add \$147 List for 6722M, or \$196 List for 6723M
- Connected and freestanding tables
- Antibacterial and antimicrobial fabrics available
- Different fabric on seat and back at no upcharge
- CAL 133

Contact Spec Customer Service to railroad fabrics (specify repeat info and yardage requirement will be provided) and for repeats greater than 5" x 5"



Two Seater with full arms

COM 3.5 yds
0.75 yd COM per single seat
1.0 yd COM per single back

MODEL	COM	GR 1	GR 2	GR 3	GR 4	GR 5	GR 6
6722M	1459	1621	1672	1780	1939	2059	2220

Dimensions (inches)
seat H 18.0 seat W 21.0 arm H 25.0
total H 33.75 total W 48.0 depth 26.25

Exceeds BIFMA Seating Durability Test to 750 lbs per two seater
CAL 133, add \$228 List per two seater



6722M
69 lbs

Three Seater with full arms

COM 5.25 yds
0.75 yd COM per single seat
1.0 yd COM per single back

MODEL	COM	GR 1	GR 2	GR 3	GR 4	GR 5	GR 6
6723M	2136	2377	2456	2616	2855	3035	3277

Dimensions (inches)
seat H 18.0 seat W 21.0 arm H 25.0
total H 33.75 total W 70.5 depth 26.25

Exceeds BIFMA Seating Durability Test to 1000 lbs per three seater
CAL 133, add \$342 List per three seater



6723M
93 lbs



COOPER COLLECTION - MIDLAND Lounge Seating

Designed for today's healthcare facilities

Loveseat with arms

Standard Features

- Separate seat and back
- Wood components in Beech, in any of 9 standard stains or stain-to-match at no upcharge
- Wall-saving frame
- Velcro removable back covers
- Replaceable seats
- Threaded replaceable glides
- Use in connected layouts at no upcharge
- Ships assembled as 1, 2 or 3 seaters
- Ships 1/carton 20 cu ft

Options

- Replaceable polyurethane arm cap (P) available in Black, add \$98 List
- Connected and freestanding tables
- Antibacterial and antimicrobial fabrics available
- Different fabric on seat and back at no upcharge
- CAL 133

Contact Spec Customer Service to railroad fabrics (specify repeat info and yardage requirement will be provided) and for repeats greater than 5" x 5"



Loveseat with arms

COM 4.0 yds
2.0 yd COM per single seat
2.0 yd COM per single back

MODEL	COM	GR 1	GR 2	GR 3	GR 4	GR 5	GR 6
6701L	1272	1461	1523	1646	1832	1972	2160

Dimensions (inches)

seat H	18.0	seat W	42.0	arm H	25.0
total H	33.75	total W	46.25	depth	26.25

Exceeds BIFMA Seating Durability Test to 750 lbs per chair
CAL 133, add \$173 List per chair



6701L
62 lbs



COOPER COLLECTION - MIDLAND Lounge Seating

Designed for today's healthcare facilities
Bariatric Single Seater with arms

Standard Features

- Separate seat and back
- Wood components in Beech, in any of 9 standard stains or stain-to-match at no upcharge
- Wall-saving frame
- Velcro removable back covers
- Replaceable seats
- Threaded replaceable glides
- Use in connected layouts at no upcharge
- Ships assembled as 1, 2 or 3 seaters
- Ships 1/carton 20 cu ft

Options

- Replaceable polyurethane arm cap (P) available in Black, add \$98 List
- Connected and freestanding tables
- Antibacterial and antimicrobial fabrics available
- Different fabric on seat and back at no upcharge
- CAL 133

Contact Spec Customer Service to railroad fabrics (specify repeat info and yardage requirement will be provided) and for repeats greater than 5" x 5"



Bariatric Single Seater with arms

COM 3.0 yds
1.5 yd COM per single seat
1.5 yd COM per single back

MODEL	COM	GR 1	GR 2	GR 3	GR 4	GR 5	GR 6
6701G	1080	1240	1294	1402	1559	1680	1841

Dimensions (inches)

seat H	18.0	seat W	30.0	arm H	25.0
total H	33.75	total W	34.25	depth	26.25

Exceeds BIFMA Seating Durability Test to 750 lbs per chair
CAL 133, add \$138 List per chair



6701G
43 lbs



COOPER COLLECTION - MIDLAND Lounge Seating

Designed for today's healthcare facilities
 Highback Single Seater with arms – Ottoman

Standard Features

- Separate seat and back
- Wood components in Beech, in any of 9 standard stains or stain-to-match at no upcharge
- Wall-saving frame
- Threaded replaceable glides
- Use in connected layouts at no upcharge
- Ships assembled as 1, 2 or 3 seaters
- Ships 1/carton 20 cu ft
- Ottoman ships 1/carton 5 cu ft

Options

- Replaceable polyurethane arm cap (P) available in Black, add \$98 List
- Vinyl insert on top of the back, add \$45 List/seat back
- Connected and freestanding tables
- Antibacterial and antimicrobial fabrics available
- Different fabric on seat and back at no upcharge
- CAL 133

Contact Spec Customer Service to railroad fabrics (specify repeat info and yardage requirement will be provided) and for repeats greater than 5" x 5"



Highback Single Seater with arms

COM 2.5 yds
 0.75 yd COM per single seat
 1.75 yds COM per single back

MODEL	COM	GR 1	GR 2	GR 3	GR 4	GR 5	GR 6
6701H	963	1098	1141	1229	1362	1463	1597

Dimensions (inches)

	seat H	18.0	seat W	21.0	arm H	25.0
total H	47.5	total W	25.25	depth	26.25	

Exceeds BIFMA Seating Durability Test to 500 lbs per chair
 CAL 133, add \$126 List per chair



6701H
39 lbs

Ottoman

COM 0.5 yd

MODEL	COM	GR 1	GR 2	GR 3	GR 4	GR 5	GR 6
6730F	510	541	551	572	603	628	659

Dimensions (inches)

H	11.5	W	19.25	depth	12.25
---	------	---	-------	-------	-------

CAL 133, add \$51 List per Ottoman



6730F
16 lbs

COOPER COLLECTION - MIDLAND Lounge Seating

Designed for today's healthcare facilities

Freestanding Lounge Tables – Corner and Spacer Connecting Tables

Standard Features

- Tops in laminate or veneer
- Select laminate tops from 15 standard laminates or choose any standard Wilsonart, Nevamar, Formica, Arborite and Pionite matte finish laminates at no upcharge.
- Freestanding lounge tables available with PVC Flat (PVF), 2mm (2MM), exposed Baltic Birch plywood (PF, PKNR) or hardwood (HB) edge
- Connecting table tops available with PVC Flat (PVF) edge, Self edge (SE) or hardwood (HB) edge
- 9 standard veneer and hardwood edge stains. Stain-to-match available at no upcharge.
- Beech legs and Beech table skirts stained the same
- Tops utilize NU Green earth friendly core
- Threaded replaceable glides
- 18" height

Options

- Non-standard laminates, contact Spec for pricing
- Custom size spacer tables for restricted spaces
- Self edge available at same cost as PVC Flat (PVF) edge
- Other sizes may be available

Radius Corner Tables are recommended for open areas



Freestanding Lounge Tables

Model	Laminate PVF/SE/2MM	Laminate PF/PKNR/HB	Veneer HB	Weight	Cu.Ft.
67 - 24 x 24 SQ	794	968	1104	47	7.2
67 - 24 x 48 RE	940	1127	1319	64	18
67 - 30 x 30 SQ	890	1016	1163	57	13.5
67 - 22 DIA	953	1268	1451	47	7.2



Corner and Spacer Connecting Tables

Model	Laminate PVF/SE	Laminate HB Edge	Veneer HB Edge	Weight	Cu.Ft.
67RC - 28 x 28 <i>Radius Corner Table</i>	778	1074	1259	42	2
67SC - 28 x 28 <i>Square Corner Table</i>	851	1033	1140	46	2
67TC - 45 degree <i>Corner Table</i>	778	1074	1259	40	2
67ST - 21 x 24 <i>Spacer Table</i>	528	747	855	27	2
67ET - 21 x 24 <i>End Table</i>	705	922	1032	37	2

