



Pricing March 1, 2019
Discount 57.7% from List prices



COOPER COLLECTION - MIDLAND Lounge Seating

LAYOUTS

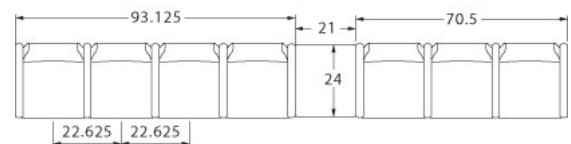
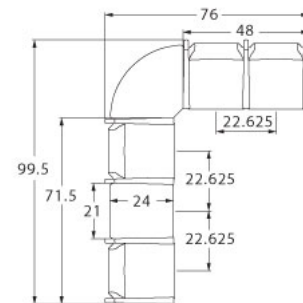
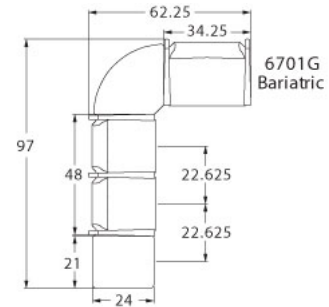


Description

- Spec's Midland offers a lighter, residential feel at a value price with extensive environmental considerations.
- Your layout possibilities are unlimited with spacer, radius and corner tables – for both standard and bariatric seating in virtually any combination.
- Bariatric seating is a 30" wide seat and is load tested to 750 lbs. Cannot be connected to other bariatric seats.
- 21" seat width is standard.
- Standard in European Beech in any of 9 standard stains or stain-to-match at no upcharge.
- Choice of wood or polyurethane arm caps which are replaceable in the field.
- All models offer a choice of no center arms, half arms or full arms to the floor.
- Wall-saving frame is standard to protect both wall and fabric.
- Glides and separate seat and back are standard.
- Please send a drawing of the configuration you require with your order.
- Ships assembled as one, two and three seater units.
- For fabrics you wish railroaded or repeats larger than 5" x 5", please contact the factory with repeat information and yardage requirement will be provided.



LAYOUTS AND DIMENSIONS





Pricing March 1, 2019
Discount 57.7% from List prices



COOPER COLLECTION - MIDLAND Lounge Seating



PRODUCT CODE

6 7 0 1 M

Collection

6 : Cooper

Series

7 : Midland

Center Arm

- 0 : Outside Arms
- 1 : Half Arms
- 2 : Full Arms

Number of Seats

- 1 : Single Seater
- 2 : Two Seater
- 3 : Three Seater

Chair Type

- M : Mid Back
- H : Highback
- L : Loveseat
- G : Bariatric



OPTIONS

ARM CAP



Polyurethane

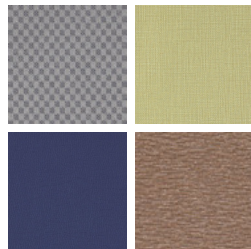
FINISHES

FRAME



Select from one of our 9 standard wood stains or stain-to-match at no upcharge

FABRIC



Select fabrics from one of our textile partners

ARM CAP



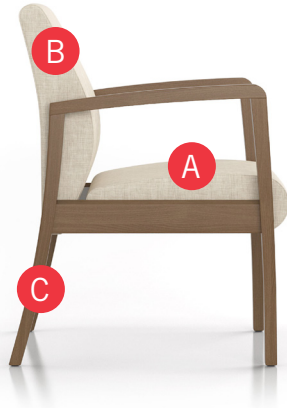
Black

See Spectone Card or specfurniture.com/materials/finishes for a complete list of finish options and colors.



COOPER COLLECTION - MIDLAND Lounge Seating

HOW TO ORDER



Specify Model

- A** Specify Fabric - Seat¹
Manufacturer, Pattern Name, Color
- B** Specify Fabric - Back¹
Manufacturer, Pattern Name, Color
- C** Specify Frame Finish

Optional: Polyurethane Arm Cap, CAL 133, Moisture Barrier, Connecting and Freestanding Tables, Ottoman, Vinyl Headrest Insert

¹ When multiple fabrics are specified on two and three seat chairs, please provide a drawing and legend for fabric placement.



Model	Fabric - Seat	Fabric - Back	Frame Finish
6701M	Momentum, Beeline, Canvas	Momentum, Beeline, Canvas	Studio Teak Stain



Pricing March 1, 2019
Discount 57.7% from List prices



SIN 711-16

COOPER COLLECTION - MIDLAND Lounge Seating

Designed for today's healthcare facilities
Single Seater with arms

Standard Features

- Separate seat and back
- Wood components in Beech, in any of 9 standard stains or stain-to-match at no upcharge
- Wall-saving frame
- Velcro removable back covers
- Replaceable seats
- Threaded replaceable glides
- Use in connected layouts at no upcharge
- Ships assembled as 1, 2 or 3 seaters
- Ships 1/carton 15 cu ft

Options

- Replaceable polyurethane arm cap (P) available in Black, add \$94 List
- Connected and freestanding tables
- Antibacterial and antimicrobial fabrics available
- Different fabric on seat and back at no upcharge
- CAL 133

Contact Spec™ Customer Service to railroad fabrics (specify repeat info and yardage requirement will be provided) and for repeats greater than 5" x 5"



Single Seater with arms

COM 1.75 yds
0.75 yd COM per single seat
1.0 yd COM per single back

MODEL	COM	GR 1	GR 2	GR 3	GR 4	GR 5	GR 6
6701M	869	957	984	1043	1128	1196	1282

Dimensions (inches)

seat H	18.0	seat W	21.0	arm H	25.0
total H	33.75	total W	25.25	depth	26.25

Exceeds BIFMA Seating Durability Test to 500 lbs per chair
CAL 133, add \$115 List per seat



6701M
36 lbs



Pricing March 1, 2019
Discount 57.7% from List prices



SIN 711-17

COOPER COLLECTION - MIDLAND Lounge Seating

Designed for today's healthcare facilities
Two and Three Seaters with outside arms

Standard Features

- Separate seat and back
- Wood components in Beech, in any of 9 standard stains or stain-to-match at no upcharge
- Wall-saving frame
- Velcro removable back covers
- Replaceable seats
- Threaded replaceable glides
- Use in connected layouts at no upcharge
- Ships assembled as 1, 2 or 3 seaters
- Ships 1/carton 26 cu ft (2 seater),
1/carton 39 cu ft (3 seater)

Options

- Replaceable polyurethane arm cap (P) available in Black, add \$94 List
- Connected and freestanding tables
- Antibacterial and antimicrobial fabrics available
- Different fabric on seat and back at no upcharge
- CAL 133

Contact Spec Customer Service to railroad fabrics (specify repeat info and yardage requirement will be provided) and for repeats greater than 5" x 5"



Two Seater with outside arms

COM 3.5 yds
0.75 yd COM per single seat
1.0 yd COM per single back

MODEL	COM	GR 1	GR 2	GR 3	GR 4	GR 5	GR 6
6702M	1354	1529	1585	1704	1874	2007	2184

Dimensions (inches)

seat H	18.0	seat W	21.0	arm H	25.0
total H	33.75	total W	44.75	depth	26.25

Exceeds BIFMA Seating Durability Test to 750 lbs per two seater
CAL 133, add \$230 List per two seater



6702M
62 lbs

Three Seater with outside arms

COM 5.25 yds
0.75 yd COM per single seat
1.0 yd COM per single back

MODEL	COM	GR 1	GR 2	GR 3	GR 4	GR 5	GR 6
6703M	1866	2126	2209	2391	2644	2845	3109

Dimensions (inches)

seat H	18.0	seat W	21.0	arm H	25.0
total H	33.75	total W	67.5	depth	26.25

Exceeds BIFMA Seating Durability Test to 1000 lbs per three seater
CAL 133, add \$345 List per three seater



6703M
88 lbs



Pricing March 1, 2019
Discount 57.7% from List prices



SIN 711-17

COOPER COLLECTION - MIDLAND Lounge Seating

Designed for today's healthcare facilities

Two and Three Seaters with half arms

Standard Features

- Separate seat and back
- Wood components in Beech, in any of 9 standard stains or stain-to-match at no upcharge
- Wall-saving frame
- Velcro removable back covers
- Replaceable seats
- Threaded replaceable glides
- Use in connected layouts at no upcharge
- Ships assembled as 1, 2 or 3 seaters
- Ships 1/carton 26 cu ft (2 seater),
1/carton 39 cu ft (3 seater)

Options

- Replaceable polyurethane arm caps (P) available in Black, add \$141 List for 6712M, or \$188 List for 6713M
- Connected and freestanding tables
- Antibacterial and antimicrobial fabrics available
- Different fabric on seat and back at no upcharge
- CAL 133

Contact Spec Customer Service to railroad fabrics (specify repeat info and yardage requirement will be provided) and for repeats greater than 5" x 5"



Two Seater with half arms

COM 3.5 yds
0.75 yd COM per single seat
1.0 yd COM per single back

MODEL	COM	GR 1	GR 2	GR 3	GR 4	GR 5	GR 6
6712M	1529	1702	1758	1878	2047	2183	2357

Dimensions (inches)

seat H	18.0	seat W	21.0	arm H	25.0
total H	33.75	total W	48.0	depth	26.25

Exceeds BIFMA Seating Durability Test to 750 lbs two seater
CAL 133, add \$230 List per two seater



6712M
64 lbs

Three Seater with half arms

COM 5.25 yds
0.75 yd COM per single seat
1.0 yd COM per single back

MODEL	COM	GR 1	GR 2	GR 3	GR 4	GR 5	GR 6
6713M	2237	2498	2581	2761	3015	3217	3479

Dimensions (inches)

seat H	18.0	seat W	21.0	arm H	25.0
total H	33.75	total W	70.5	depth	26.25

Exceeds BIFMA Seating Durability Test to 1000 lbs per three seater
CAL 133, add \$345 List per three seater



6713M
92 lbs



Pricing March 1, 2019
Discount 57.7% from List prices



SIN 711-17

COOPER COLLECTION - MIDLAND Lounge Seating

Designed for today's healthcare facilities
Two and Three Seaters with full arms

Standard Features

- Separate seat and back
- Wood components in Beech, in any of 9 standard stains or stain-to-match at no upcharge
- Wall-saving frame
- Velcro removable back covers
- Replaceable seats
- Threaded replaceable glides
- Use in connected layouts at no upcharge
- Ships assembled as 1, 2 or 3 seaters
- Ships 1/carton 26 cu ft (2 seater),
1/carton 39 cu ft (3 seater)

Options

- Replaceable polyurethane arm caps (P) available in Black, add \$141 List for 6722M, or \$188 List for 6723M
- Connected and freestanding tables
- Antibacterial and antimicrobial fabrics available
- Different fabric on seat and back at no upcharge
- CAL 133

Contact Spec Customer Service to railroad fabrics (specify repeat info and yardage requirement will be provided) and for repeats greater than 5" x 5"



Two Seater with full arms

COM 3.5 yds
0.75 yd COM per single seat
1.0 yd COM per single back

MODEL	COM	GR 1	GR 2	GR 3	GR 4	GR 5	GR 6
6722M	1529	1702	1758	1878	2047	2183	2357

Dimensions (inches)

seat H	18.0	seat W	21.0	arm H	25.0
total H	33.75	total W	48.0	depth	26.25

Exceeds BIFMA Seating Durability Test to 750 lbs per two seater
CAL 133, add \$230 List per two seater



6722M
69 lbs

Three Seater with full arms

COM 5.25 yds
0.75 yd COM per single seat
1.0 yd COM per single back

MODEL	COM	GR 1	GR 2	GR 3	GR 4	GR 5	GR 6
6723M	2237	2498	2581	2761	3015	3217	3479

Dimensions (inches)

seat H	18.0	seat W	21.0	arm H	25.0
total H	33.75	total W	70.5	depth	26.25

Exceeds BIFMA Seating Durability Test to 1000 lbs per three seater
CAL 133, add \$345 List per three seater



6723M
93 lbs



Pricing March 1, 2019
Discount 57.7% from List prices



SIN 711-16

COOPER COLLECTION - MIDLAND Lounge Seating

Designed for today's healthcare facilities

Loveseat with arms

Standard Features

- Separate seat and back
- Wood components in Beech, in any of 9 standard stains or stain-to-match at no upcharge
- Wall-saving frame
- Velcro removable back covers
- Replaceable seats
- Threaded replaceable glides
- Use in connected layouts at no upcharge
- Ships assembled as 1, 2 or 3 seaters
- Ships 1/carton 20 cu ft

Options

- Replaceable polyurethane arm cap (P) available in Black, add \$94 List
- Connected and freestanding tables
- Antibacterial and antimicrobial fabrics available
- Different fabric on seat and back at no upcharge
- CAL 133

Contact Spec Customer Service to railroad fabrics (specify repeat info and yardage requirement will be provided) and for repeats greater than 5" x 5"



Loveseat with arms

COM 4.0 yds
2.0 yd COM per single seat
2.0 yd COM per single back

MODEL	COM	GR 1	GR 2	GR 3	GR 4	GR 5	GR 6
6701L	1332	1536	1601	1740	1937	2094	2299

Dimensions (inches)

seat H	18.0	seat W	42.0	arm H	25.0
total H	33.75	total W	46.25	depth	26.25

Exceeds BIFMA Seating Durability Test to 750 lbs per chair
CAL 133, add \$177 List per chair



6701L
62 lbs



Pricing March 1, 2019
Discount 57.7% from List prices



SIN 711-16

COOPER COLLECTION - MIDLAND Lounge Seating

Designed for today's healthcare facilities
Bariatric Single Seater with arms

Standard Features

- Separate seat and back
- Wood components in Beech, in any of 9 standard stains or stain-to-match at no upcharge
- Wall-saving frame
- Velcro removable back covers
- Replaceable seats
- Threaded replaceable glides
- Use in connected layouts at no upcharge
- Ships assembled as 1, 2 or 3 seaters
- Ships 1/carton 20 cu ft

Options

- Replaceable polyurethane arm cap (P) available in Black, add \$94 List
- Connected and freestanding tables
- Antibacterial and antimicrobial fabrics available
- Different fabric on seat and back at no upcharge
- CAL 133

Contact Spec Customer Service to railroad fabrics (specify repeat info and yardage requirement will be provided) and for repeats greater than 5" x 5"



Bariatric Single Seater with arms

COM 3.0 yds
1.5 yd COM per single seat
1.5 yd COM per single back

MODEL	COM	GR 1	GR 2	GR 3	GR 4	GR 5	GR 6
6701G	1131	1304	1360	1480	1648	1783	1958

Dimensions (inches)

seat H	18.0	seat W	30.0	arm H	25.0
total H	33.75	total W	34.25	depth	26.25

Exceeds BIFMA Seating Durability Test to 750 lbs per chair
CAL 133, add \$144 List per chair



6701G
43 lbs



Pricing March 1, 2019
Discount 57.7% from List prices



SIN 711-16

COOPER COLLECTION - MIDLAND Lounge Seating

Designed for today's healthcare facilities
Highback Single Seater with arms – Ottoman

Standard Features

- Separate seat and back
- Wood components in Beech, in any of 9 standard stains or stain-to-match at no upcharge
- Wall-saving frame
- Threaded replaceable glides
- Use in connected layouts at no upcharge
- Ships assembled as 1, 2 or 3 seaters
- Ships 1/carton 20 cu ft
- Ottoman ships 1/carton 5 cu ft

Options

- Replaceable polyurethane arm cap (P) available in Black, add \$94 List
- Vinyl insert on top of the back, add \$42 List/seat back
- Connected and freestanding tables
- Antibacterial and antimicrobial fabrics available
- Different fabric on seat and back at no upcharge
- CAL 133

Contact Spec Customer Service to railroad fabrics (specify repeat info and yardage requirement will be provided) and for repeats greater than 5" x 5"



Highback Single Seater with arms

COM 2.5 yds
0.75 yd COM per single seat
1.75 yds COM per single back

MODEL	COM	GR 1	GR 2	GR 3	GR 4	GR 5	GR 6
6701H	1007	1154	1200	1299	1441	1552	1698

Dimensions (inches)

seat H	18.0	seat W	21.0	arm H	25.0
total H	47.5	total W	25.25	depth	26.25

Exceeds BIFMA Seating Durability Test to 500 lbs per chair
CAL 133, add \$129 List per chair



6701H
39 lbs

Ottoman

COM 0.5 yd

MODEL	COM	GR 1	GR 2	GR 3	GR 4	GR 5	GR 6
6730F	543	578	590	611	646	673	718

Dimensions (inches)

H	11.5	W	19.25	depth	12.25
---	------	---	-------	-------	-------

CAL 133, add \$53 List per Ottoman



6730F
16 lbs



COOPER COLLECTION - MIDLAND Lounge Seating

Designed for today's healthcare facilities

Freestanding Lounge Tables – Corner and Spacer Connecting Tables

Standard Features

- Tops in laminate or veneer
- Select laminate tops from 15 standard laminates or choose any standard Wilsonart, Nevamar, Formica, Arborite and Pionite matte finish laminates at no upcharge.
- Freestanding lounge tables available with PVC Flat (PVF), 2mm (2MM), exposed Baltic Birch plywood (PF, PKNR) or hardwood (HB) edge
- Connecting table tops available with PVC Flat (PVF) edge, Self edge (SE) or hardwood (HB) edge
- 9 standard veneer and hardwood edge stains. Stain-to-match available at no upcharge.
- Beech legs and Beech table skirts stained the same
- Tops utilize NU Green earth friendly core
- Threaded replaceable glides
- 18" height

Options

- Non-standard laminates, contact Spec for pricing
- Custom size spacer tables for restricted spaces
- Self edge available at same cost as PVC Flat (PVF) edge
- Other sizes may be available

Radius Corner Tables are recommended for open areas



Freestanding Lounge Tables

Model	Laminate PVF/SE/2MM	Laminate PF/PKNR/HB	Veneer HB	Weight	Cu.Ft.
67 - 24 x 24 SQ	866	1054	1202	47	7.2
67 - 24 x 48 RE	1022	1228	1437	64	18
67 - 30 x 30 SQ	969	1105	1265	57	13.5
67 - 22 DIA	1015	1361	1557	47	7.2



Corner and Spacer Connecting Tables

Model	Laminate PVF/SE	Laminate HB Edge	Veneer HB Edge	Weight	Cu.Ft.
67RC - 28 x 28 <i>Radius Corner Table</i>	800	1073	1258	42	2
67SC - 28 x 28 <i>Square Corner Table</i>	874	1062	1171	46	2
67TC - 45 degree <i>Corner Table</i>	800	1073	1258	40	2
67ST - 21 x 24 <i>Spacer Table</i>	543	766	878	27	2
67ET - 21 x 24 <i>End Table</i>	725	948	1061	37	2

